

GM (Add a SUB) Interface 2019-UP*

* Visit AxxessInterfaces.com for more detailed information about the product and up-to-date vehicle specific applications



INTERFACE FEATURES

- Can be used in non-amplified models only
- Easy behind the radio installation with pre-wired harness
- Bass knob included for level control of subwoofer amp
- Micro-B USB updatable

INTERFACE COMPONENTS

- AXSUB-GM3 interface
- AXDSPX-GM3 vehicle T-harness (LD-DSP-GM30)
- Bass knob (LD-BASSKNOB)

NOTE: SELECT VEHICLES EQUIPPED WITH RPO: IOU/IOS/IOT

www.AxxessInterfaces.com



If the vehicle is equipped with Active noise cancelation (ANC) microphones, they will need to be bypassed. Please refer to www.AxxessInterfaces.com for ANC bypass harnesses offered for select vehicles.

www.MetraOnline.com



MetraOnline.com may be used to assist with dash assembly instructions. Simply enter your Year, Make, Model vehicle into the vehicle fit guide and look for the Dash Kit Installation Instructions.

TABLE OF CONTENTS

Connections.....	2
Programming.....	3
Testing.....	3
Specifications.....	3
Troubleshooting.....	4

TOOLS REQUIRED

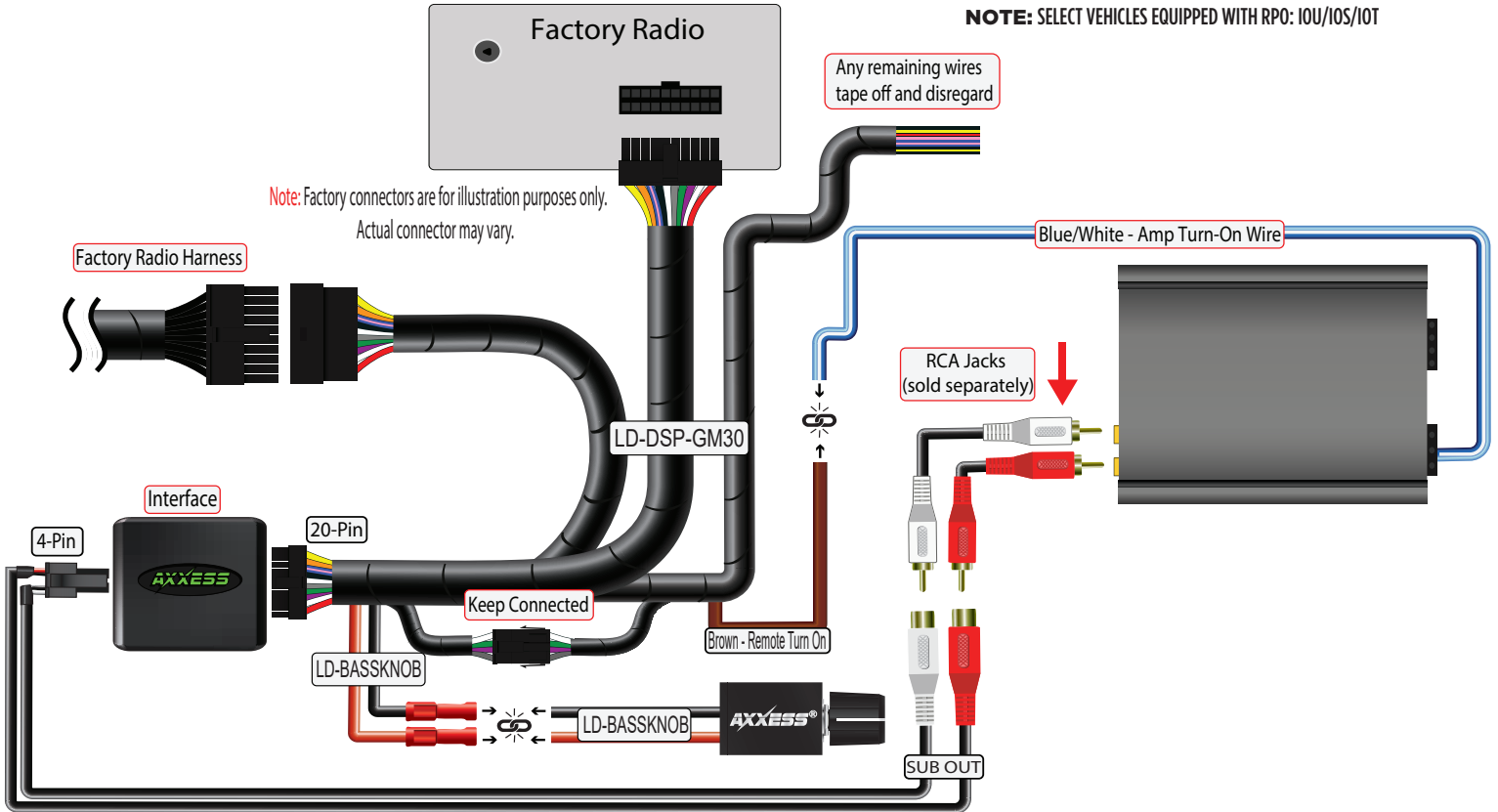
- Crimping tool and connectors, or solder gun, solder, and heat shrink
- Tape
- Wire cutter
- Zip ties
- Multimeter

ATTENTION: With the key out of the ignition, disconnect the negative battery terminal before installing this product. *nsure that all installation connections, especially the air bag indicator lights, are plugged in before reconnecting the battery or cycling the ignition to test this product.*

NOTE: Refer also to the instructions included with the aftermarket radio.

CONNECTIONS

NOTE: SELECT VEHICLES EQUIPPED WITH RPO: 10U/10S/10T



PROGRAMMING

1. With everything plugged in Turn on ignition and make sure audio volume is turned all the way down. Also ensure that your LD-BASSKNOB is turned all the way to the left.
2. Increase audio volume to desired listening level
3. Wait for aftermarket amp to turn on (up to 15 seconds)
4. You are now programmed

SPECIFICATIONS

- 2 Channel non-fading 5V RMS output
- Fixed low pass frequency of 234Hz
- 250mA remote turn on output

TESTING

1. Turn on audio and increase volume to desired level
2. Rotate the LD-BASSKNOB to the right to increase SUB level. Turn to the left to decrease SUB level

NOTE: Lowering the bass or volume knob completely will deactivate the aftermarket amplifier. Similarly, muting the radio will also result in turning off the aftermarket amplifier.

TROUBLESHOOTING

1. Not getting sound from Factory radio's speakers.
 - A) Make sure Factory Volume isn't set to zero or a mute button has been pressed on radio.
 - B) Make sure 8pin male and female connectors are plugged in to each other.
2. Not getting 12v on the Amp on out to amp
 - A) Make sure LD-BASSKNOB isn't turned all the way down(to left)
 - B) Your Orange and Black wires are properly connected from AXSUB-INTERFACE to LD-BASSKNOB
3. Not getting 12v on the Amp on out to amp
 - A) Make sure the t-harness is seated properly at the radio and OE harness.
 - B) Make sure the RCA's are connected to aftermarket amplifier.

Having difficulties? We're here to help.



Contact our Tech Support line at:
386-257-1187



Or via email at:
techsupport@metra-autosound.com

Tech Support Hours (Eastern Standard Time)

Monday - Friday: 9:00 AM - 7:00 PM

Saturday: 10:00 AM - 5:00 PM

Sunday: 10:00 AM - 4:00 PM



**Metra recommends MECP
certified technicians**