



Chasing spare tire light kit

Universal 5 and 6 lug pattern system

Visit HEISELED.com to view the available installation parts and accessories.

Scan QR code to see playlist videos from the Heise connected universe of products.



Quick Glance

- 13.75" Diameter
- Dual row LED
- Fits 15" and up rims
- Controller / remote included
- 1-year warranty

Features

This chasing spare tire light is equipped with dual-row, dual-zone, addressable LEDs to add vibrant, colorful lighting to a vehicle's mounted spare tire. This kit is an innovative, versatile solution with over 200 vehicle applications. It works cohesively with all Heise chasing LED lighting as part of the Heise Connect Universe (HCU).

What's in the box:

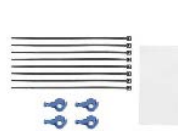
A) Spare tire light



B) HE-CHASE-CB and wires



C) Install hardware



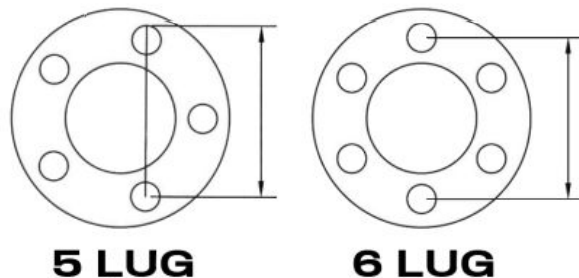
D) Remote



| BRAND | MODEL | YEAR RANGE | BOLT PATTERN |
|--------------------|-------------------------|------------|--------------|
| Fits Jeep | | | |
| | Wrangler JL | 2018-Up | 5x5 |
| | Wrangler JK | 2007-2018 | 5x5 |
| | Wrangler TJ | 1997-2006 | 5x4.5 |
| | Wrangler YJ | 1987-1995 | 5x4.5 |
| | Liberty KJ | 2001-2007 | 5x4.5 |
| Fits Ford | | | |
| | Bronco | 2021-Up | 6x5.5 |
| Fits Toyota | | | |
| | landcruiser 60Series | 1980-1990 | 6x5.5 |
| | landcruiser 70Series | 1987-2022 | 6x5.5 |
| | Landcruiser 80/90Series | 1989-2002 | 6x5.5 |
| | FJ Cruiser | 2007-2014 | 6x5.5 |
| | Rav 4 | 1996-2005 | 5x4.5 |
| Fits Honda | | | |
| | CR-V | 1995-2005 | 5x4.5 |
| | Passport | 1994-1997 | 6x5.5 |
| | Passport | 1998-2002 | 5x4.5 |
| Fits Isuzu | | | |
| | Amigo | 1989-2004 | 6x5.5 |
| | Rodeo | 1998-2004 | 6x5.5 |
| | Trooper | 1991-2002 | 6x5.5 |
| | Trooper II | 1988-1990 | 6x5.5 |

| BRAND | MODEL | YEAR RANGE | BOLT PATTERN |
|-----------------------|--------------|------------|--------------|
| Fits Suzuki | | | |
| | Vitara | 1988-1998 | 5x5.5 |
| | Grand Vitara | 1998-2004 | 5x5.5 |
| | Grand Vitara | 2005-2012 | 5x4.5 |
| | Jimny | 1987-Up | 5x5.5 |
| | Samurai | 1984-1997 | 5x5.5 |
| | Sidekick | 1989-1998 | 5x5.5 |
| Fits Landrover | | | |
| | Defender | 2019-2024 | 5x4.75 |
| | Defender | 1990-2016 | 5x6.5 |

Universal 5 and 6 lug fitment



Compatible with most OEM and aftermarket rear tire carriers



Factory tire carrier



Swingout aftermarket tire carrier

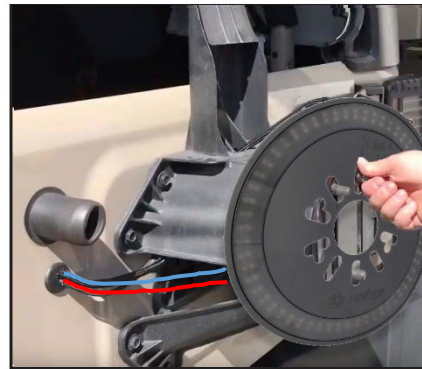
Tire removal and Installation:

NOTE: We're using a Jeep in this example, but most spare tire carriers should be similar.

1. Remove the spare tire, route the left and right 8-foot extensions to the 6-inch leads on the bottom of the plate through the spare tire mount and the grommet, following the factory brake light wiring. (Figures A & B)
2. Install the push nuts provided onto the top two spare tire studs to hold the bracket in place without the tire being installed. (Figure C)
3. Remove the panel from the tailgate, then run the left and right wires into the vehicle, following the factory wire loom. (Figure D)
4. Once the wires are secure and cable tied to the factory wiring, re-install the panel back to the tailgate if applicable.
5. Route the wiring through the vehicle to the desired mounting location for the chasing controller.



(Figure A)



(Figure C)



(Figure B)



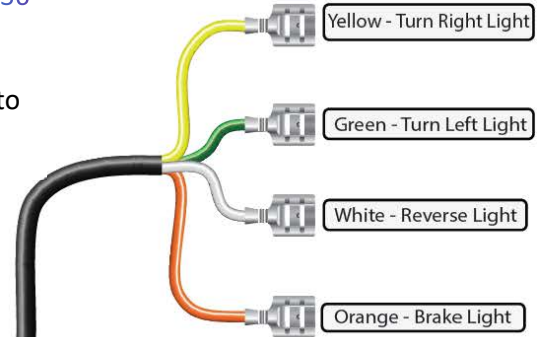
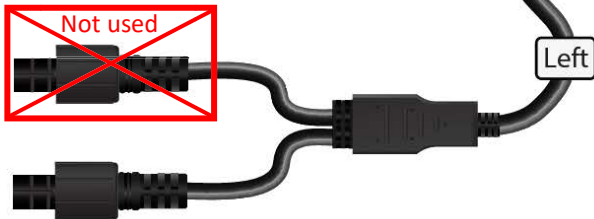
(Figure D)

NOTE: Pixel count for this product is 36

To reset the controller to factory settings, tap the black ground wire to chassis ground 10 times.



If more length is needed use:
HE-CHASE-4EXT: 4' extension



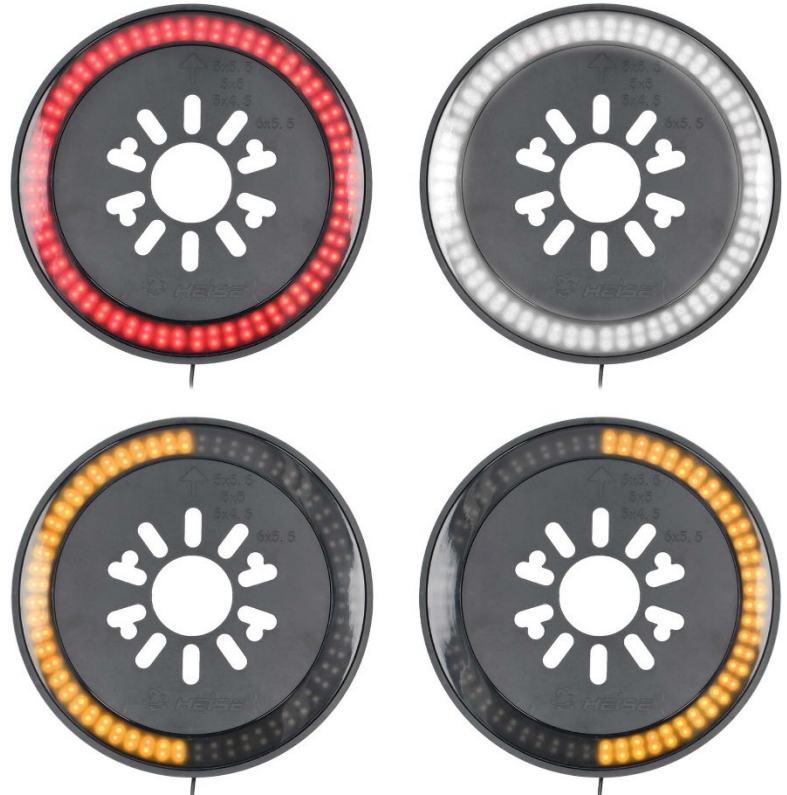
Heise offers **JP-TSH1** and **JP-TSH2** trigger harnesses for certain Jeep® vehicle applications.

For vehicles with pulse width modulation, it may be necessary to run a **TE-CAMFLTR** on reverse trigger to prevent flickering.



Specifications:

- 13.75-Inch diameter
- Chasing spare tire light
- Turn signal, brake and reverse triggers
- Dual row addressable LED
- Universal carrier fitment
- 1-year warranty



Step 1: Download app for smart devices.



Step 2: Identify controller

- Open the Heise Connect app
- Tap connect page
- Verify controller link
- Check mark only 1 controller
- Use the on/off button to identify which controller it is

Step 3: Rename

- Select setting page
- Tap controller settings
- Scroll to select active controller
- Tap inside current device name, clear box and type desired name
Example: Headlights

Step 4: Set pixel (Chasing controller(s) only)

- Select setting page
- Tap Chasing settings
- Scroll to select controller
- Locate the **pixel count** at the end of the instruction for the product lights purchased. Set the pixel range to the value listed in the instructions

Step 5: Controller security

- Select setting page
- Tap password
- Scroll to select controller
- Enter a new password

NOTE: The default password is {123456}

Step 6: RF remote lock

NOTE: Choose one RF card remote to use with all controllers.

- Remove from antistatic bag, and pull out clear tab from bottom to activate
- Verify remote is operating
- Press and hold the bottom left button that is purple for 5 seconds. The lights will flash to indicate that the controller(s) are now RF locked to this remote

NOTE: All controllers that flashed are RF locked to this remote. The app works independent of the RF lock.

