



## PRODUCT INFORMATION SHEET

# Jeep Grand Cherokee 2014-2017 99-6536

Visit [MetraOnline.com](http://MetraOnline.com) for more detailed information about the product and up-to-date vehicle specific applications

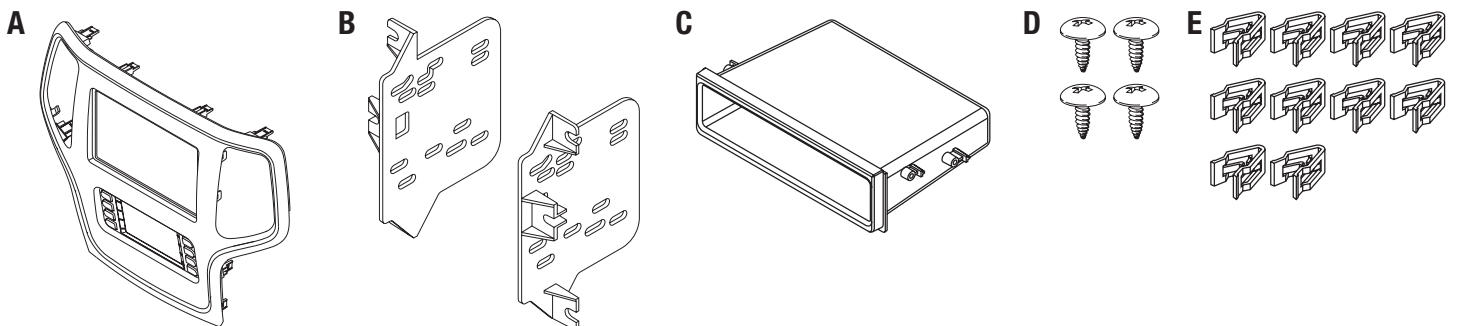
### KIT FEATURES

- ISO DIN radio provision with pocket
- ISO DDIN radio provision
- **Touchscreen display for climate and personalization features**
- **Painted: Bronze - 99-6536BZ  
Silver - 99-6536S**



### KIT COMPONENTS

- A) Radio trim panel with touchscreen display • B) Radio brackets • C) Pocket • D) (4) #8 x 3/8" Phillips screws
- E) (10) Panel clips • F) HVAC interface and wiring harness (not shown) • G) Antenna adapter (not shown)



### WIRING & ANTENNA CONNECTIONS

Wiring Harness: Axxess interface built into touchscreen

Antenna Adapter: Included with kit