



PRODUCT INFORMATION SHEET

APPLICATIONS

2010 MAZDA 3

U.S. Patent # D639,290

99-7514B

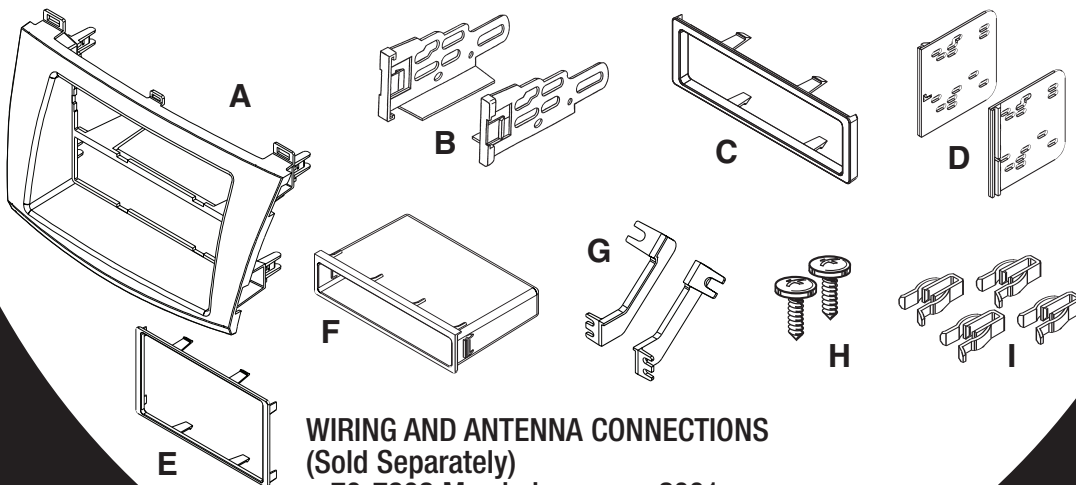
KIT FEATURES

- DIN Radio Provision with Pocket
- ISO Mount Radio Provision with Pocket
- Double DIN Radio Provision
- Stacked ISO Mount Units Provision
- **Painted A Matte Black Finish**



KIT COMPONENTS

- A) Radio Housing • B) ISO Brackets • C) ISO Trim Plate • D) Double DIN Brackets
- E) Double DIN Trim Plate • F) Pocket • G) (2) Radio Housing Brackets • H) (2) #8X3/8" Phillips Screws
- I) (4) Panel Clips



1-800-221-0932



www.metraonline.com

© COPYRIGHT 2009 METRA ELECTRONICS CORPORATION REV. 12-23-20