



PRODUCT INFORMATION SHEET

APPLICATIONS

ACURA RSX 2002-2006

Patent# D481,707

99-7867

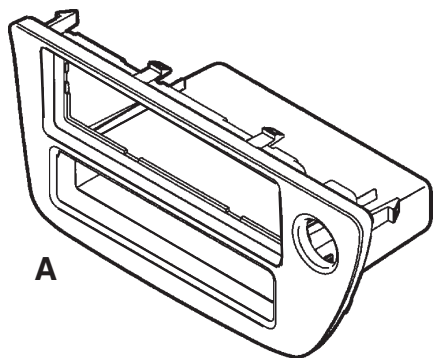
KIT FEATURES

- DIN Radio Provision
- ISO Radio Provision

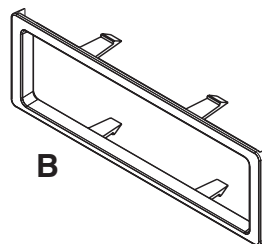


KIT COMPONENTS

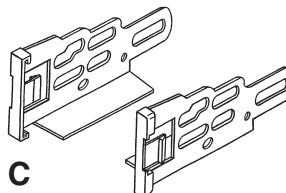
A) Radio Housing • B) Trim Plate • C) ISO Brackets



A



B



C



1-800-221-0932



www.metraonline.com

© COPYRIGHT 2007 METRA ELECTRONICS CORPORATION Rev. 12-22-20