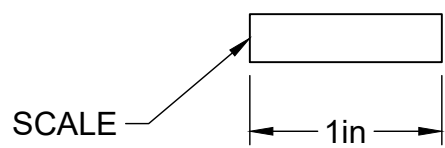
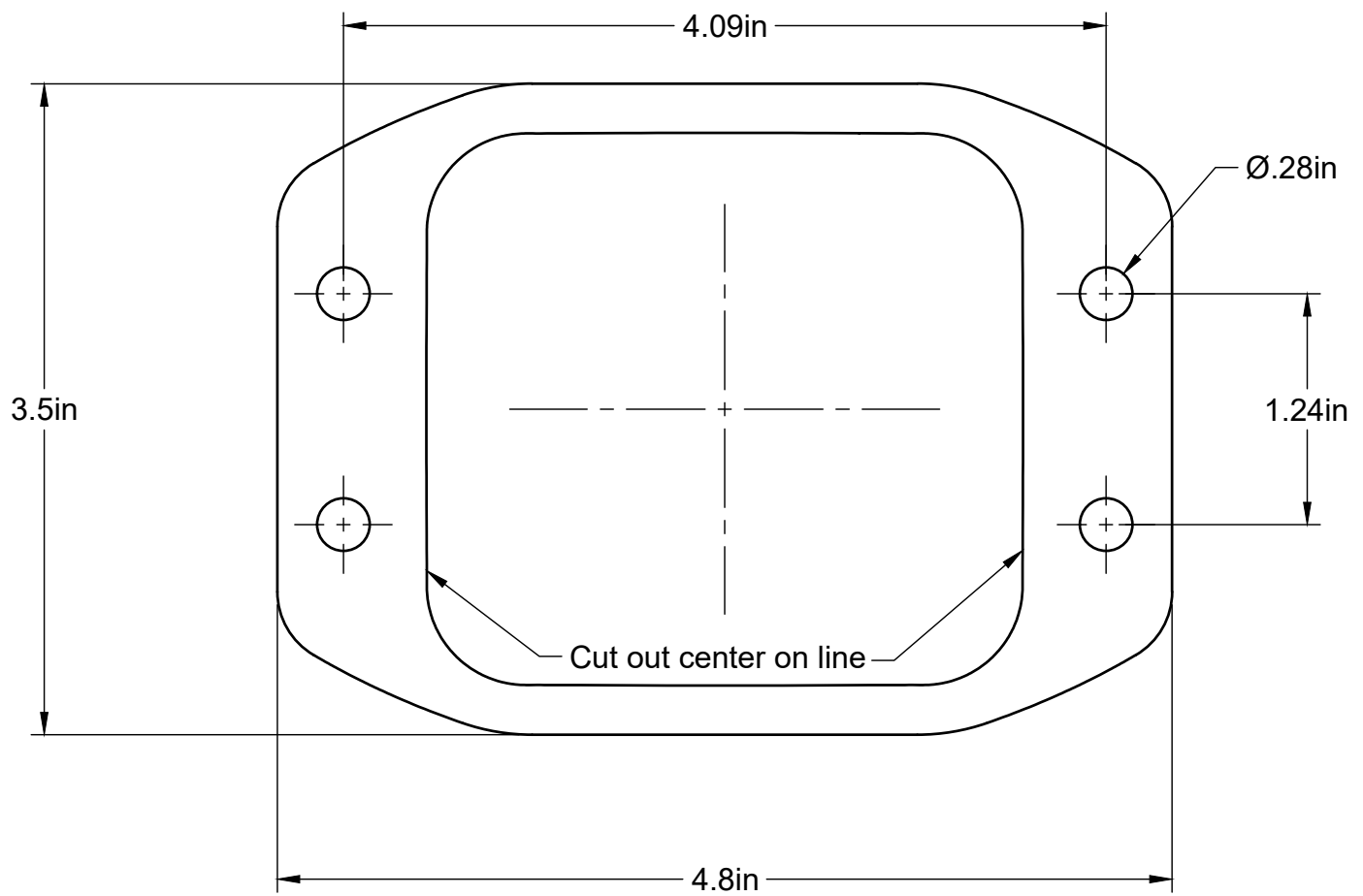


Scale	1 : 1
Units	Inches



Set printing setting to actual size,
do not scale print