



Part Applications

- Universal; Automotive, Marine, Jeep®, ATV/UTV, Golf cart etc.

Part Components

A) Switch Panel B) Control Box C) Power Harness, Connections D) 3 x Mounting Brackets E) 50 x Labels (Decals)



Universal 8 Gang Switch Panel System

Visit HeiseLED.com for more detailed information about the product and up-to-date vehicle specific applications.

Product Features

- Control 8 auxiliary LED lights or electrical devices
- 50 label designs
- Blue LED back lighting
- 60 amp resettable circuit breaker
- On / Off switch or Momentary press operation
- Water resistant Design
- 6 spare fuses

TABLE OF CONTENTS

Installation.....	2-4
Wiring.....	5
Menu Operation.....	6-7
Specifications.....	8

TOOLS REQUIRED

- Wire stripper
- Cutters
- Drill
- Metric socket set
- Universal step bit
- 1/8" & 1/4" Drill bit
- #1, #2 Phillips screwdriver
- 4mm hex key (included)

Attention! We recommend disconnecting the vehicle battery prior to installation. When testing the aftermarket equipment, ensure that all factory equipment is connected before cycling the key to ignition.

INSTALLATION

Mounting Control Box

There are two different mounting options provided within the HE-SWP8;

- Fix mount bracket. (Figure A) *
- Flush mount. (Figure B)

FIX MOUNT

- Using the mounting bracket as a guide (Figure A), find a good location to mount the control box.*
- The ideal mounting of the box should allow for an unobstructed path for the power wires, accessory wires, and the control harnesses.
- If you decide to drill, check the clearance behind the drilling location. Make sure you are not going to drill through and damage any wiring harness and components in the vehicle.

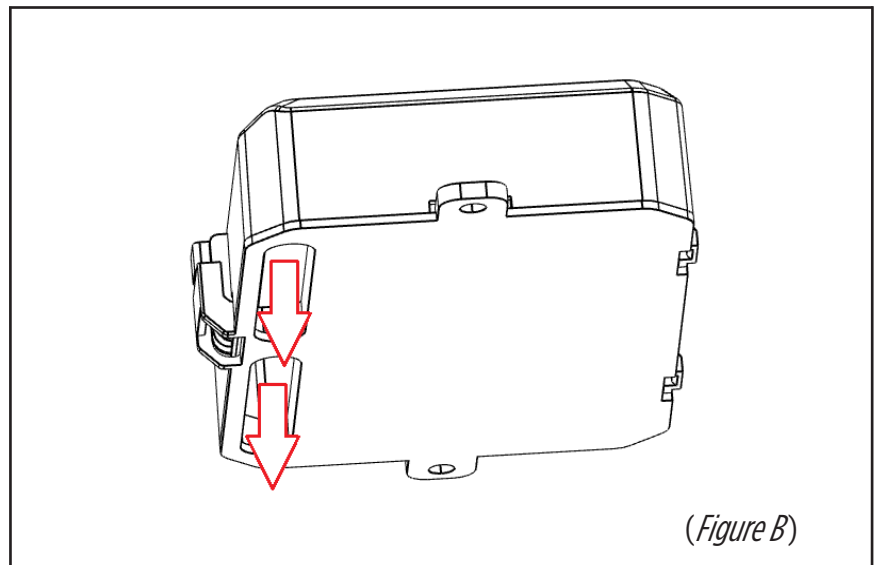
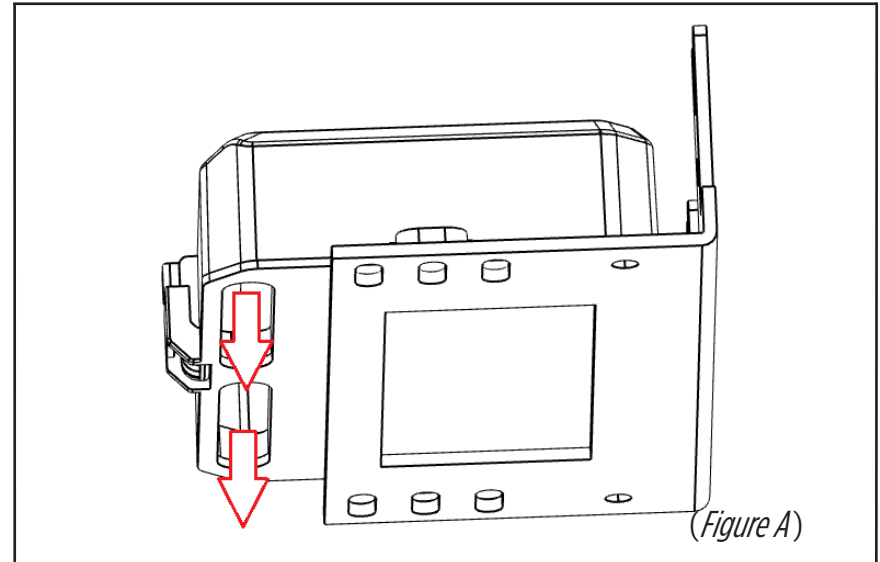
FLUSH MOUNT

- Using the control box as a guide (Figure B), find a good location to mount.**
- The ideal mounting of the box should allow for an unobstructed path for the power wires, accessory wires, and the control harnesses.
- If you decide to drill, check the clearance behind the drilling location. Make sure you are not going to drill through and damage any wiring harness and components in the vehicle.

**Note: Fix mount is the recommended mounting.*

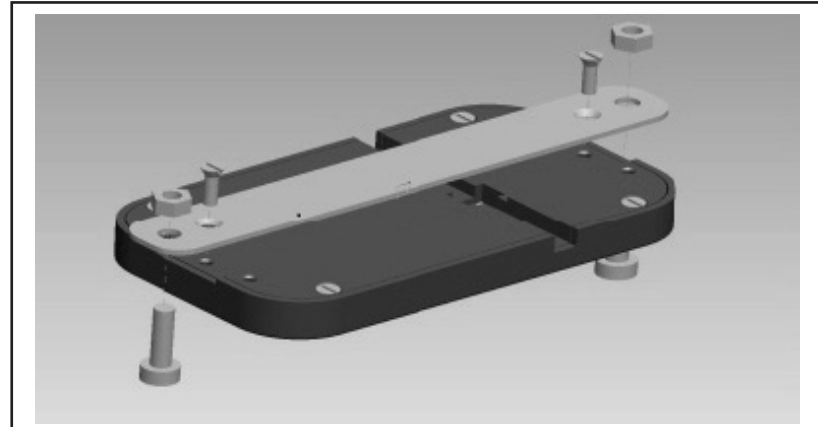
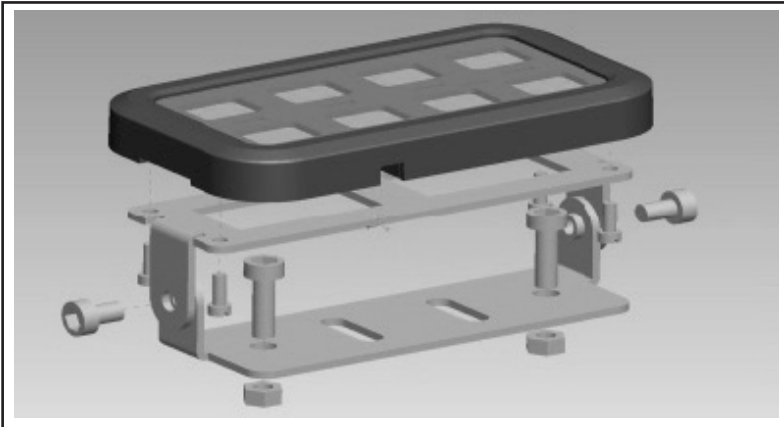
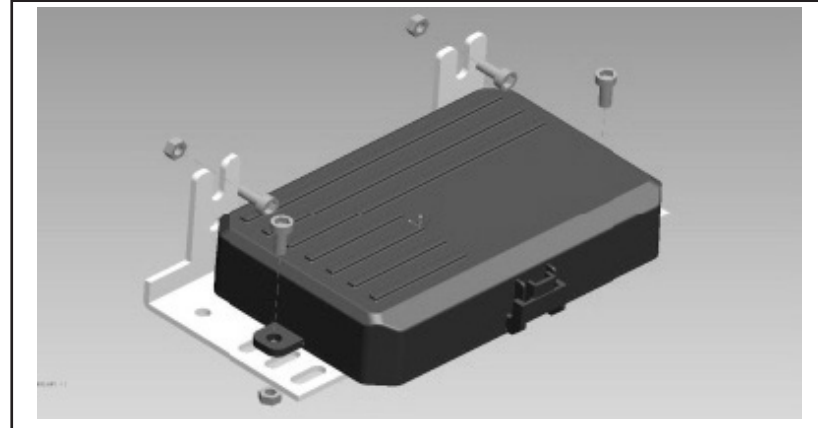
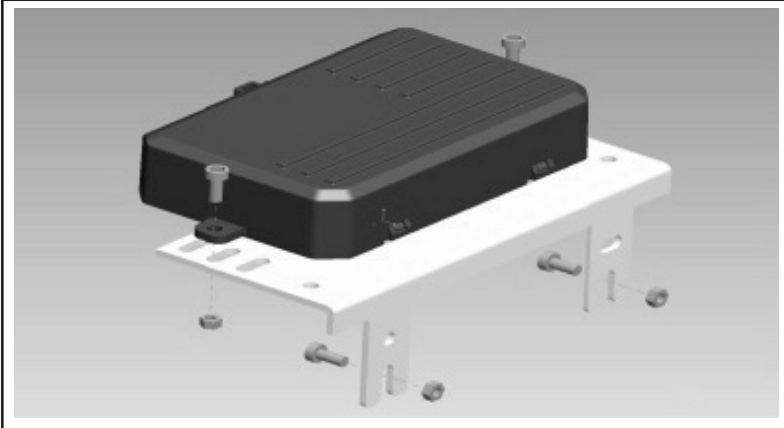
***Note: The bottom of the control box needs an unobstructed path for the wire to exit.*

Keep in mind the switch panel control wire is appropriately 9 feet long. Do not attempt to extend the control wire. Cutting and splicing may void the warranty and damage the product.



INSTALLATION

Mounting Examples



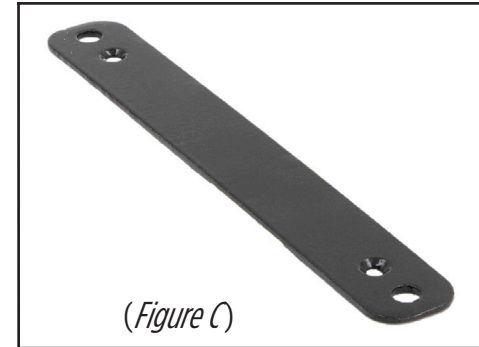
INSTALLATION

Switch Panel Mounting

- There are two different mounting options provided within the HE-SWP8; flush mount (Figure C), and adjustable mount. (Figure D)

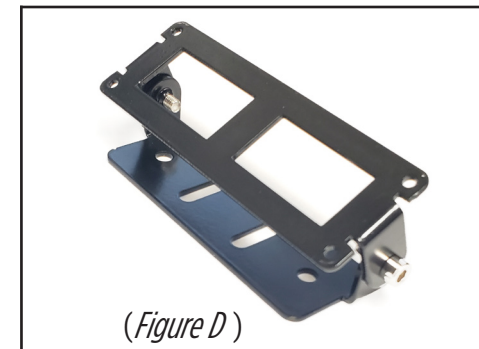
Flush Mount

- Attach the panel to the bracket, use the supplied 2.5mm screws.
- The ideal thickness of the mounting surface should be between 1/8" to 1/4".
- Check to make sure the control wire is long enough to mount the desired location.
- Check the clearance behind the drilling location. Make sure you are not going to drill through and damage any wiring harness and components in the vehicle.
- Once you decide where to mount, use the bracket to mark the drill location.
- Drill using a 1/8" drill bit, use the supplied pan head coarse screws to attach
- Proceed to Wiring Installation



Adjustable Mount

- Attach the panel to the bracket, use the supplied 2.5mm screws.
- The ideal thickness of the mounting surface should be between 1/8" to 1/4".
- Check to make sure the control wire is long enough to mount the desired location.
- Check the clearance behind the drilling location. Make sure you are not going to drill through and damage any wiring harness and components in the vehicle.
- Once you decide where to mount, use the bracket to mark the drill location.
- Drill using a 1/8" drill bit, use the supplied pan head coarse screws to attach.
- The supplied Hex key can be used to adjust the viewing angle.
- Proceed to Wiring Installation



**Note: Do not attempt to extend the control wire. Cutting and splicing may void the warranty and damage the product.*

INSTALLATION

Wire Connections*

22 g Red Wire

- Recommended connection, the vehicles +12v constant, (always on) circuit.

22 g White Wire

- Recommended connection, the vehicles +12v parking light circuit.

22 g Yellow Wire

- Recommended connection, the vehicles +12v switched source.

6 g Red Wire**

- Recommended connection, the vehicles +12v battery post.

6 g Black Wire**

- Recommended connection, the vehicles - negative battery post.

60 amp Circuit Breaker*

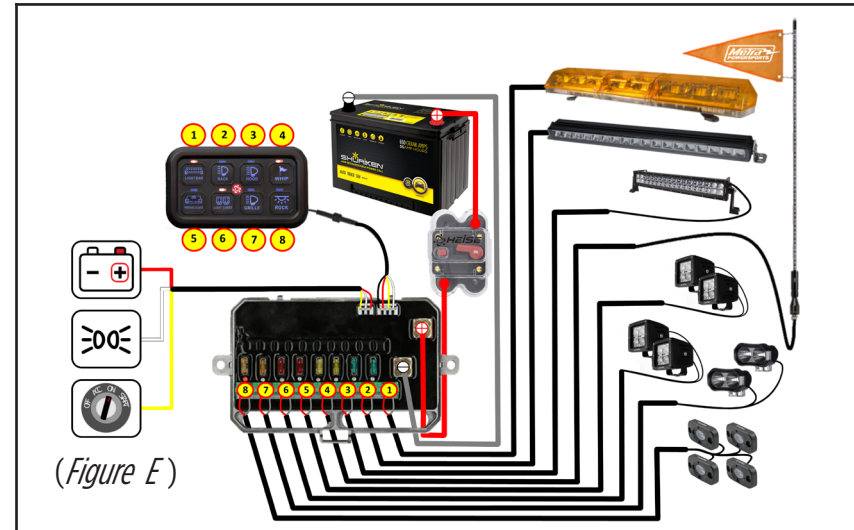
- Connect between the +12v battery and circuit box + input.

Switch Panel

- The IP68 5-pin DIN plug connect the panel to the control box. (Figure F)

Verify Operation

- Once all connections and installation is complete, check the operation of the HE-SWP8, before reassembling the vehicle.



**Note: Refer to "HEISE® Led Lighting Systems Technical Operation Specification Parameters" pull out for more detailed wiring information*

**Attention: If you decide not to use the supplied power and ground wire, consult a wire gauge chart for the correct size and distance.*

OPERATION

Indication

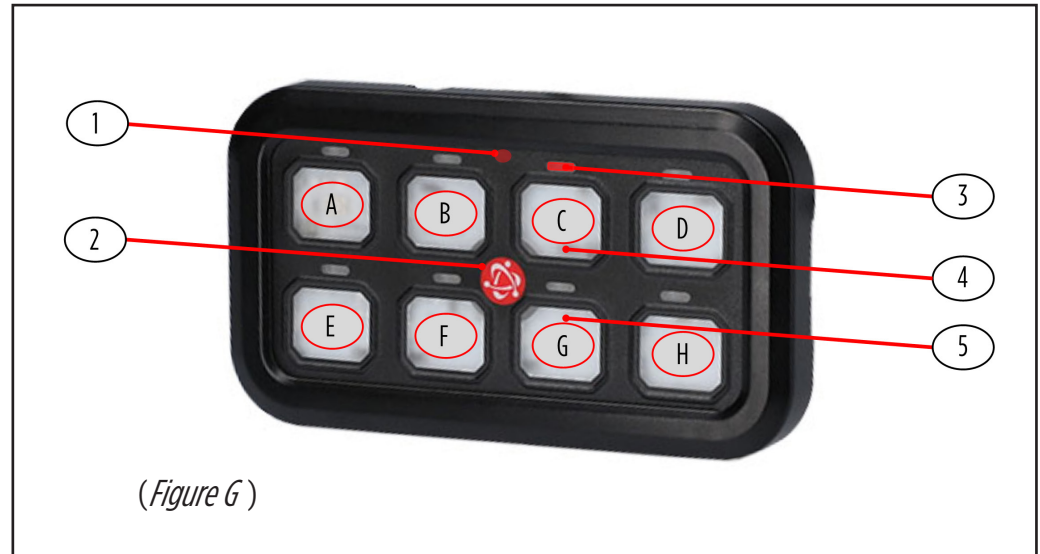
1. Red LED lights up when the HE-SWP8 is powered on .
2. Manual power activation button, press to turn on, press to turn off.
3. Red LED lights up to show the accessory circuit is on.
4. Area for placement of selected labels (decal).
5. Blue LED Illumination area; back lighting for the label.

Mode

Accessory Circuits 1 - 8 can operate as a latched or momentary.
By default the HE-SWP8 comes out of the box set for switched mode.
To enable or disable the momentary function, follow this procedure.

Ignition must be off (No power to the Yellow wire).

1. Turn on the HE-SWP8 (Press the Heise® Atom then release)
2. Press and hold the Atom for 2 seconds
3. Press and hold the desired accessory button until the corresponding LED flashes then release the button . If you are successful the LED will flash once then turn off.
4. Test functionality, if you are unsuccessful power off and repeat steps 1-4.



Switch Panel

- | | | |
|-------------------------------|------------------------|------------------------|
| 1. Power Indication LED | A. Accessory Circuit 1 | E. Accessory Circuit 5 |
| 2. Power Button (Heise® Atom) | B. Accessory Circuit 2 | F. Accessory Circuit 6 |
| 3. Circuit Activation LED | C. Accessory Circuit 3 | G. Accessory Circuit 7 |
| 4. Label Placement Area | D. Accessory Circuit 4 | H. Accessory Circuit 8 |
| 5. Blue LED Back-lit Area | | |

OPERATION

Advanced Operation



(Figure H)

- The HE-SWP8 will power-on one of two ways.
 1. With Ignition on (+12v input to yellow 22g wire) press the desired circuit.
 2. With ignition off press the Atom.*
- Accessory circuits must be selected every time the HE-SWP8 is powered on.
- Previously activated accessory circuits can resume on . For example; the light bar, whip and light cubes can re-activate together.
- With the HE-SWP8 powered on, only press the Atom button and those circuits will activate and deactivate together.
- If a different circuit is selected the previously activated accessory circuits will be forgotten.

**Note: The previously active circuits will power back on or resume when ever the Atom button is used to power on the HE-SWP8.*



SPECIFICATIONS

What's In the Box?

- 8 Gang Switch Panel System
- Control Box with Cover
- 50 Switch Labels
- 14 ATS Fuses (8 operation, 6 spare)
- 60 amp Resettable Circuit Breaker
- Power harness and battery cables
- Switch Panel Brackets (2)
- Control Box Bracket (1)
- Mounting hardware, screws and zip-ties
- Instructions

Details

- Applications: Universal
- Power Handling: 600W - 1200W
- Operation Voltage: 12V - 24V DC
- Maximum Current: 60A
- Operating Temp.: -40°C - +105°C
- Panel Material: Die-cast aluminum
- Control Box Material: Die-cast aluminum
- Control Box Material: Die-cast aluminum
- Panel Size: 4.53 x 0.59 x 2.60 inch
- Circuit Box size: 7.48 x 1.34 x 4.13 inch

Having difficulties? We're here to help.



Contact our Tech Support line at:
1-386-257-1187



Or via email at:
techsupport@metra-autosound.com

Tech Support Hours (Eastern Standard Time)

Monday - Friday: 9:00 AM - 7:00 PM
Saturday: 10:00 AM - 7:00 PM
Sunday: 10:00 AM - 4:00 PM



KNOWLEDGE IS POWER
Enhance your installation and fabrication skills by enrolling in the most recognized and respected mobile electronics school in our industry. Log onto www.installerinstitute.com or call 800-354-6782 for more information and take steps toward a better tomorrow.



Metra Recommends MECPCertified technicians

