



Toyota RAV4 2019-Up

Visit MetraOnline.com for more detailed information about the product and up-to-date vehicle specific applications

KIT FEATURES

- ISO DDIN radio provision*
- Painted gloss black



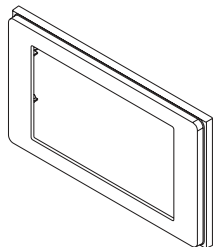
* Designed for ISO DDIN radios which have an "L" shaped chassis design with the radio chassis at the bottom of the screen. Compatible with Pioneer modular radios

† Refer to the radio manufacturer for current models

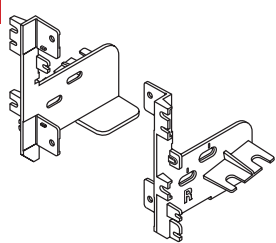
KIT COMPONENTS

- A) Radio trim panel • B) Radio brackets • C) #8 x 3/8" Phillips screws (4) • D) #4 x 3/8" Phillips screws (4)

A



B



C



D



TABLE OF CONTENTS

Dash Disassembly	2
Kit Assembly	
–Shallow DDIN radio provision	3
–Pioneer modular DDIN radio provision	4

WIRING & ANTENNA CONNECTIONS (sold separately)

Visit axxessinterfaces.com or metraonline.com for harness and interface options
Antenna Adapter: 40-LX11

TOOLS REQUIRED

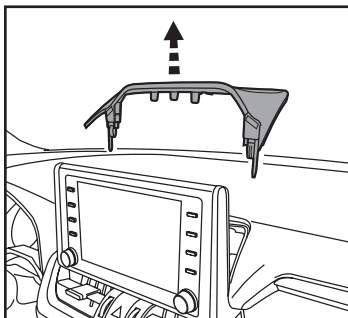
- Panel removal tool • Phillips screwdriver
- 10mm Socket wrench • Cutting tool

Attention! With the key out of the ignition, disconnect the negative battery terminal before installing this product. Ensure that all installation connections are secure before cycling the ignition to test this product.

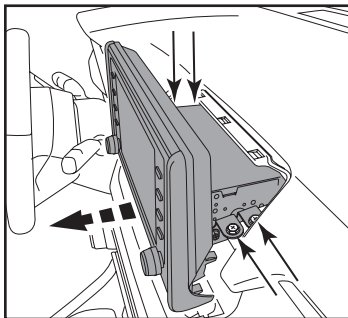
DASH DISASSEMBLY

1. Remove the trim panel behind the radio. (Figure A)
2. Remove (4) 10mm screws securing the radio. Unclip and slide out the radio, then unplug and remove. (Figure B)
3. Remove the (6) screws on radio back and separate panels from around the factory radio face. (Figure C)

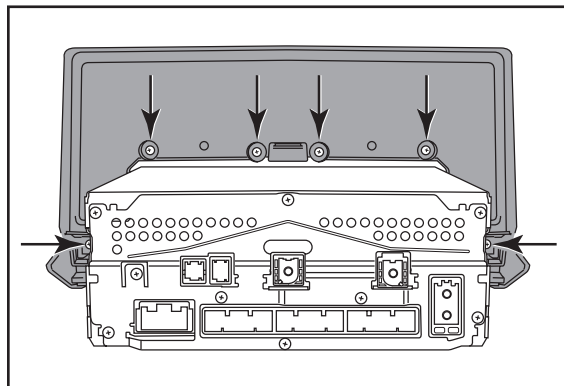
Continue to Kit Preparation



(Figure A)



(Figure B)

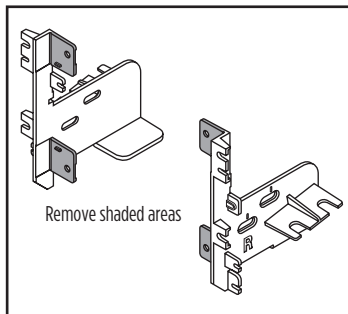


(Figure C)

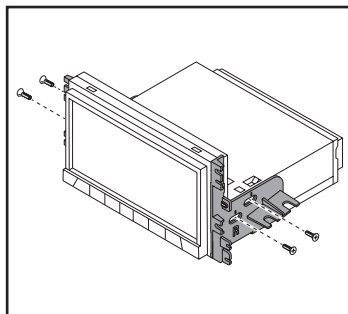
KIT ASSEMBLY

Bottom chassis DDIN radio provision

1. Using pliers or cutting tool, remove the shown inside mounting tabs from the **radio brackets**. (leave the smallest inner mounting tabs) (Figure A)
2. Secure the radio to the **radio brackets** with screws supplied with radio. (Figure B)
3. Secure the radio/bracket assembly to the **radio trim panel** using (4) Phillips screws provided. (Figure C)
4. Secure the radio assembly into the factory radio panels using (4) of the factory screws. (screws are also provided if needed) (Figure D)

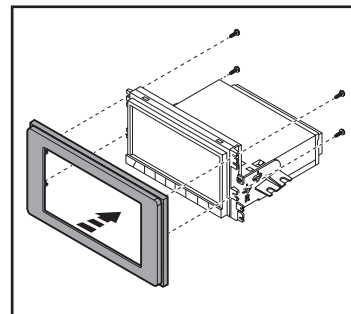


(Figure A)

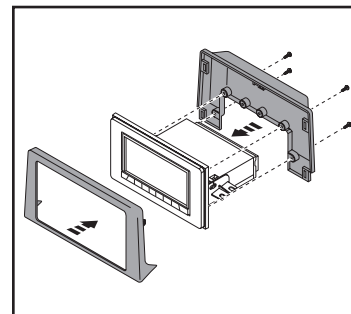


(Figure B)

5. Locate the factory wiring harness and antenna connector in the dash and complete all necessary connections to the radio. Metra recommends using the proper mating adapter from Metra and/or Axxess. Test the radio for proper operation.
6. Slide the radio assembly into to the dash, then secure using the factory screws and snap the trim back in place.



(Figure C)



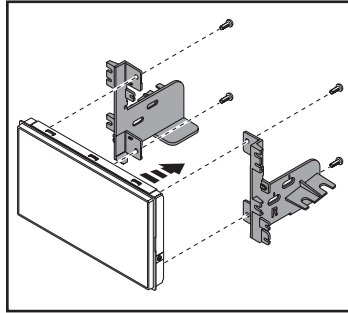
(Figure D)

KIT ASSEMBLY

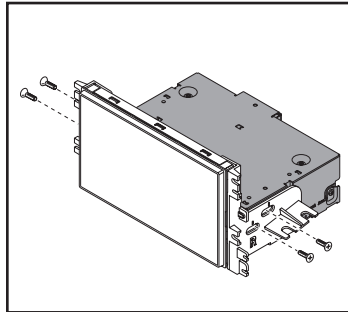
Pioneer Modular DDIN radio provision

Note: For steps 1 and 2, reference the installation manual provided with the radio for which hardware to use. The display screen and radio chassis use two different types of screws.

1. Secure the radio display to the **radio brackets** using (4) screws supplied with the radio. (Figure A)
2. Secure the **radio brackets** to the radio chassis using (4) screws supplied with the radio. (Figure B)
3. Connect the radio display to the radio chassis.
4. Secure the new radio assembly to the **radio trim panel**. (Figure C)

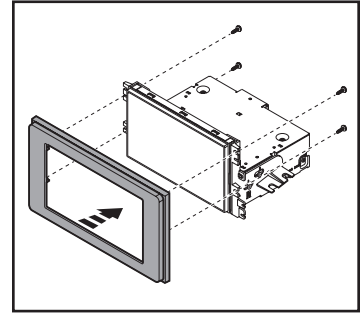


(Figure A)

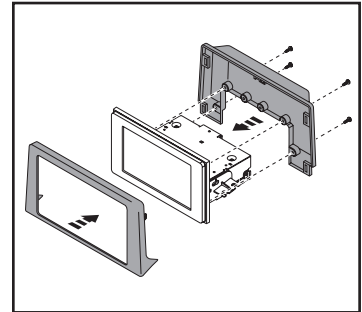


(Figure B)

5. Assemble the radio assembly into the factory radio panels using the outside (4) factory screws (screws are also provided if needed). (Figure D)
6. Locate the factory wiring harness and antenna connector in the dash and complete all necessary connections to the radio. Metra recommends using the proper mating adapter from Metra and/or Axxess. Test the radio for proper operation.
7. Slide the radio assembly into to the dash, then secure using the factory screws.
8. Reassemble the dash in reverse order of disassembly to complete the installation.



(Figure C)



(Figure D)











107-T01HG

INSTALLATION INSTRUCTIONS



Having difficulties? We're here to help.



Contact our Tech Support line at:

386-257-1187



Or via email at:

techsupport@metra-autosound.com

Tech Support Hours (Eastern Standard Time)

Monday - Friday: 9:00 AM - 7:00 PM

Saturday: 10:00 AM - 5:00 PM

Sunday: 10:00 AM - 4:00 PM



**Metra recommends MECP
certified technicians**