



Kia Seltos 2021-2023

Visit [MetraOnline.com](https://www.metraonline.com) for more detailed information about the product and up-to-date vehicle specific applications

KIT FEATURES

- Engineered exclusively for the new 9-inch Pioneer® Modular Solutions Receiver (DMH-WC6600NEX) Radio
*See radio manufacturer for current models.
- Both textured and painted gloss black to match the factory finish.

KIT COMPONENTS

A) Radio housing front • B) Radio housing back • C) Pioneer brackets • D) (2) panel clips • E) (4) #8 x 3/8" Phillips screws

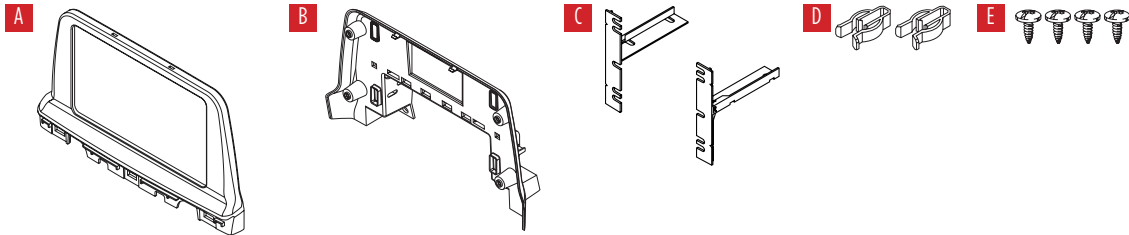


TABLE OF CONTENTS

Dash Disassembly	2-3
Kit Preparation.....	4
Kit Assembly	5-6

WIRING & ANTENNA CONNECTIONS

Wiring Harness: Visit [metraonline.com](https://www.metraonline.com) for audio/video and steering wheel control interface options.
Antenna Adapter: 40-K111

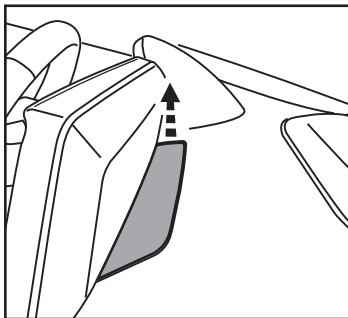
TOOLS REQUIRED

- Panel removal tool • Phillips screwdriver
- 10mm socket

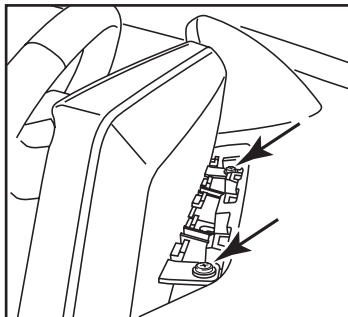
ATTENTION: With the key out of the ignition, disconnect the negative battery terminal before installing this product. Ensure that all installation connections, especially the air bag indicator lights, are plugged in before reconnecting the battery or cycling the ignition to test this product.
NOTE: Refer also to the instructions included with the aftermarket radio.

DASH DISASSEMBLY

1. Unclip and remove the trim panel behind the radio display. (Figure A)
2. Remove the (2) Phillips screws under trim panel removed in step 1. (Figure B)



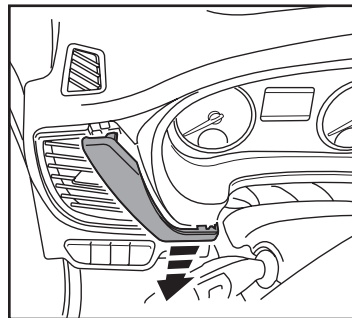
(Figure A)



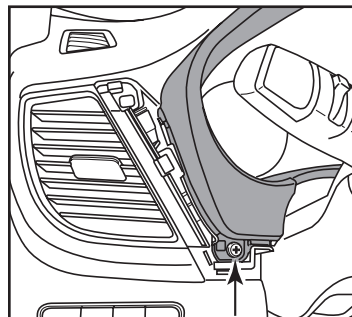
(Figure B)

3. Unclip and remove the small trim to the left of the instrument cluster. (Figure C)
4. Remove (1) Phillips screw from behind small trim panel removed in step 3. (Figure D)

Continued on the next page



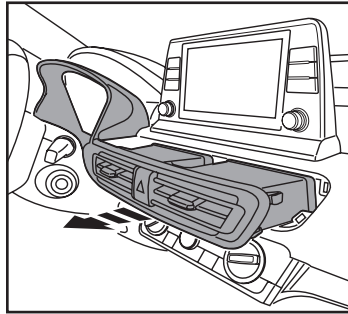
(Figure C)



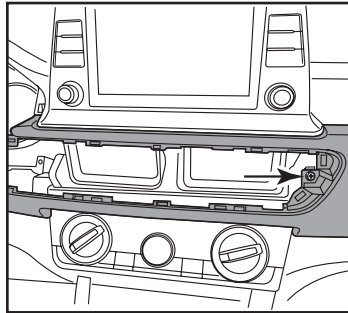
(Figure D)

DASH DISASSEMBLY (CONT.)

- Unclip and remove the entire trim surrounding the instrument cluster and including the a/c vents under the radio display. (Figure E)
- Remove (1) Phillips screws securing the trim panel below the radio display which had the a/c vents in it then unclip and remove the panel. (Figure F, G)



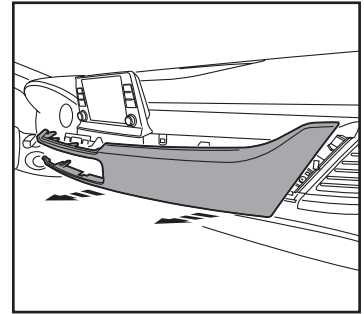
(Figure E)



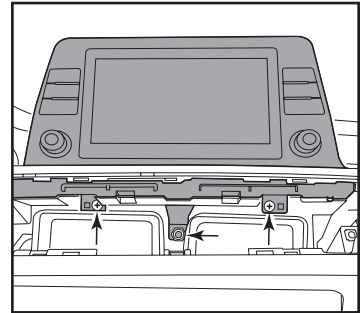
(Figure F)

- Remove (2) Phillips screws and (1) 10MM nut securing the radio display and chassis. (Figure H)
- Unclip unplug and remove the radio display and chassis.

Continue to Kit Assembly



(Figure G)

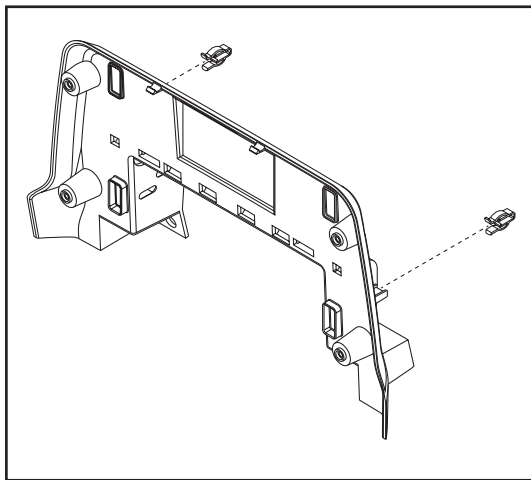


(Figure H)

KIT PREPARATION

1. Attach the two included **panel clips** to the **radio housing back**. (Figure A)

Continue to Kit Assembly



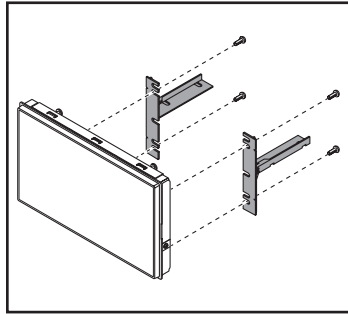
(Figure A)

KIT ASSEMBLY

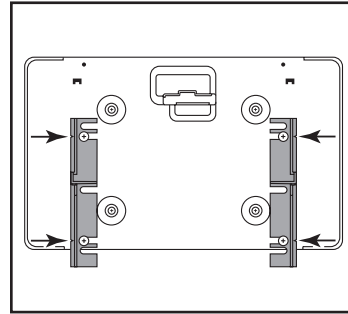
Pioneer modular DDIN radio provision

Note: For steps 1 and 2, reference the installation manual provided with the radio for which hardware to use. The display screen and radio chassis use two different types of screws.

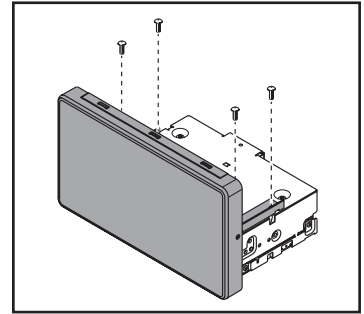
1. Secure the radio display to the **Pioneer brackets** using (4) screws supplied with the radio. (Figure A) (there are divots on the **Pioneer brackets** to align the correct mounting positions to the screen) (Figures A and B)
2. Connect the radio display/bracket assembly to the radio chassis using (4) screws supplied with the radio. (Figure C)



(Figure A)



(Figure B)

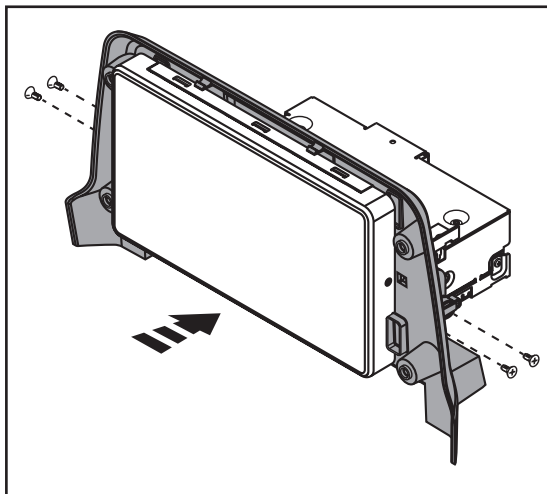


(Figure C)

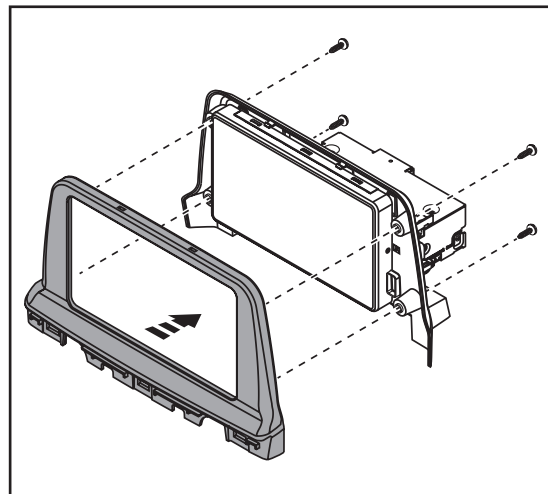
Continued on the next page

KIT ASSEMBLY (CONT.)

- Secure the radio assembly into the **radio housing back** using screws supplied with the radio. (Figure C)
- Secure the **radio housing front** to the back using the supplied #8 screws. (Figure D)
- Locate the factory wiring harness and antenna connector in the dash and complete all necessary connections to the radio. Metra recommends using the proper mating adapter from Metra and/or Axxess. Test the radio for proper operation.
- Slide the radio assembly into to the dash, then secure using the factory screws.
- Reassemble the dash in reverse order of disassembly to complete the installation.



(Figure D)



(Figure E)



109-K11HG
INSTALLATION INSTRUCTIONS



Having difficulties? We're here to help.



Contact our Tech Support line at:

386-257-1187



Or via email at:

techsupport@metra-autosound.com

Tech Support Hours (Eastern Standard Time)

Monday - Friday: 9:00 AM - 7:00 PM

Saturday: 10:00 AM - 5:00 PM

Sunday: 10:00 AM - 4:00 PM



**Metra recommends MECP
certified technicians**