



INSTALLATION INSTRUCTIONS FOR PART 88-00-3302

APPLICATIONS

**1995-2001 General Motors
Full Size Trucks & SUV's**

88-00-3302



KIT FEATURES

- Kit Replacement Pocket

KIT COMPONENTS

A) Pocket

TOOLS REQUIRED:

Socket Wrench | Flat Blade Screwdriver

A

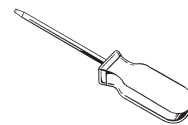
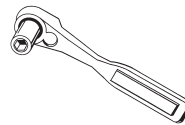
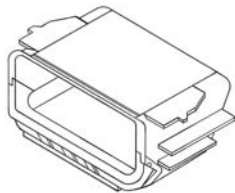


TABLE OF CONTENTS

Dash Disassembly: pg. 1 & pg. 2
Final Assembly: pg. 3



1-800-221-0932

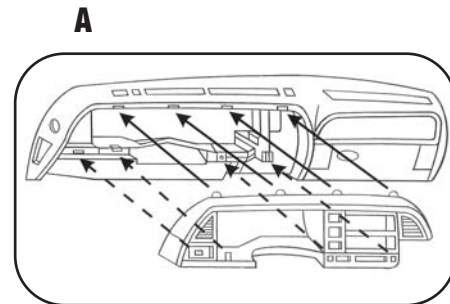


www.metraonline.com

© COPYRIGHT 2004 METRA ELECTRONICS CORPORATION

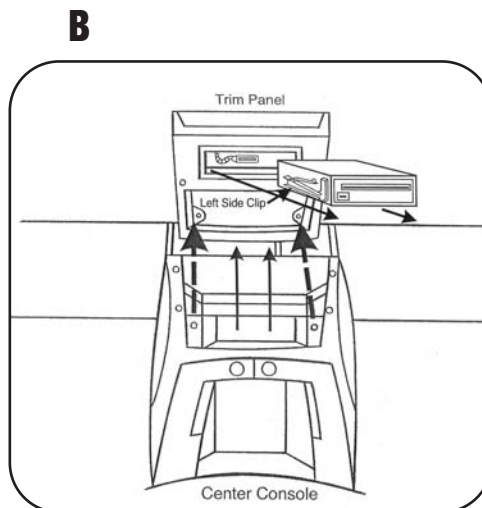
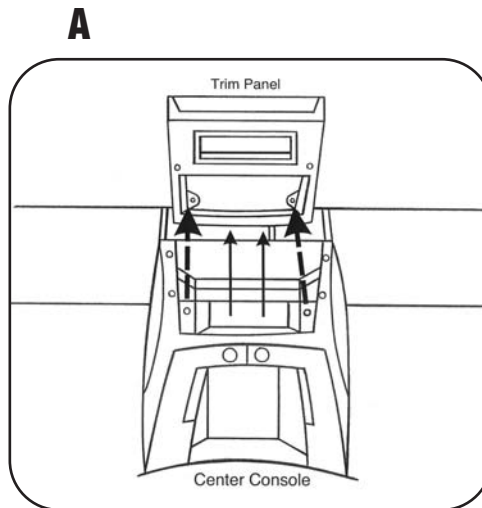
Most vehicles with CD player/cassette player in dash

- 1** Disconnect the negative battery terminal to prevent an accidental short circuit.
- 2** Unclip and remove entire panel surrounding the radio, climate controls and instrument cluster. (Figure A)
- 3** Depress the clips on each side of the unit and slide straight out.



Most vehicles with CD player/cassette player in center console

- 1** Disconnect the negative battery terminal to prevent an accidental short circuit.
- 2** Open door on pocket below CD player and remove (2) 7mm screw. (Figure A)
- 3** Unclip and remove entire trim panel surrounding CD player/cassette player and pocket door assembly. (Figure A)
- 4** Depress the clips on each side of the unit and slide straight out. (Figure B)





88-00-3302

FINAL ASSEMBLY

- 1** Reassemble in reverse order of disassembly using the 88-00-3302 instead of the factory CD player/cassette player.