



## INSTALLATION INSTRUCTIONS FOR PART 95-1003

### APPLICATIONS

**KIA  
Rio 2001  
Sephia 1995-2001  
Spectra 2000-2001  
Sportage 1998-2003**

# 95-1003

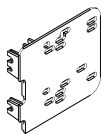


#### KIT FEATURES

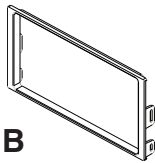
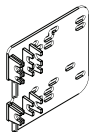
- DDIN Head Unit Provision
- ISO Stacked Head Unit Provision

#### KIT COMPONENTS

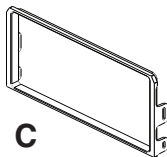
A) DDIN Brackets • B) DDIN Trim Plate #1 • C) DDIN Trim Plate #2



**A**



**B**



**C**

#### WIRING AND ANTENNA CONNECTIONS

(Sold Separately)

- 70-1003 - KIA Harness 1995-02
- Antenna Adapter N/R

#### TOOLS REQUIRED:

Panel Removal Tool • Cutting Tool • Phillips Screwdriver  
• Small Flat Blade Screwdriver



**1-800-221-0932**



**www.metraonline.com**

© COPYRIGHT 2004-2009 METRA ELECTRONICS CORPORATION

**TABLE OF CONTENTS**

**Dash Disassembly**

- *Kia Rio 2001* ..... 1

- *Sephia 1995-1997* ..... 2

- *Sephia 1998-2001* ..... 3

- *Spectra 2000-2001*..... 3

- *Sportage 1998-2000* ..... 4

- *Sportage 2001-2003* ..... 5

**Kit Assembly**

- *Kit Assembly Preparation* ..... 6

- *DDIN / Stacked ISO DIN Radio Provision* ..... 7



**KNOWLEDGE IS POWER**

Enhance your installation and fabrication skills by enrolling in the most recognized and respected mobile electronics school in our industry. Log onto [www.installerinstitute.com](http://www.installerinstitute.com) or call 800-354-6782 for more information and take steps toward a better tomorrow.



*Metra recommends MECP certified technicians*

**\*Note:**

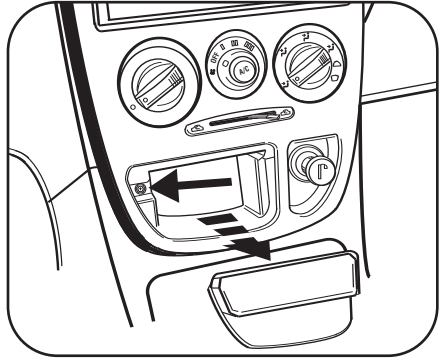
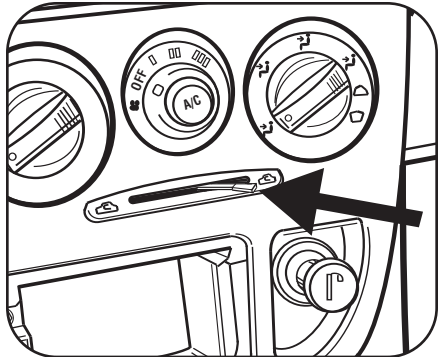
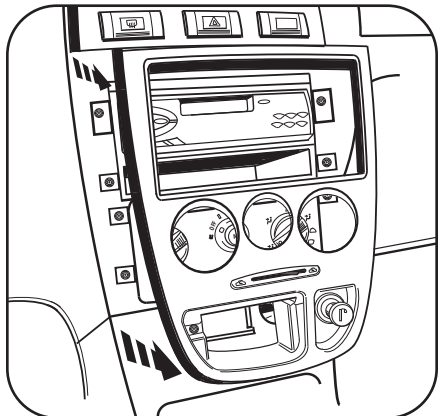
**Refer also to the instructions included with the aftermarket radio.**

**RIO 2001**

*\*Note: Refer also to the instructions included with the aftermarket radio.*

- 1 Disconnect the negative battery-terminal to prevent an accidental short circuit.
- 2 Remove ashtray and (1) Phillips head screw inside ashtray cavity. (Figure A)
- 3 Remove knob from climate control slide lever. (Figure B)
- 4 Unsnap and remove radio/climate control trim panel. (Figure C)
- 5 Remove (4) Phillips head screws securing the radio. Unplug and remove the radio.

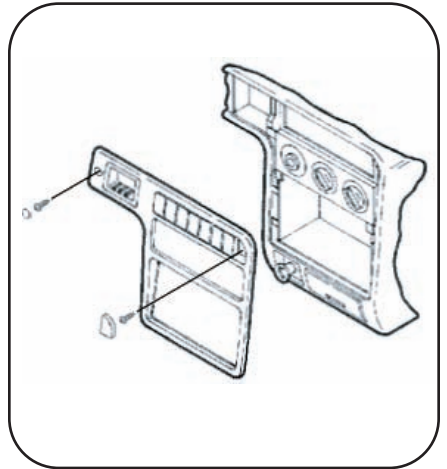
*Continue to kit preparation.*

**A**

**B**

**C**


**SEPHIA 1995-1997**

*\*Note: Refer also to the instructions included with the aftermarket radio.*

- 1** Disconnect the negative battery terminal to prevent an accidental short circuit.
- 2** Remove plastic screw cover to the left of the coin tray and remove the Phillips head screw from behind cover.
- 3** Remove switch blank to the far right of the switch panel and remove the Phillips head screw from behind switch blank.
- 4** Unclip and remove dash trim panel.
- 5** Remove (4) Phillips head screws securing the radio. Unplug and remove the radio.



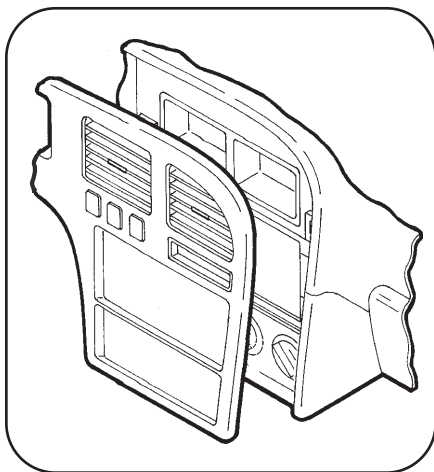
*Continue to kit preparation.*

**SEPHIA 1998-2001  
SPECTRA 2000-2001**

*\*Note: Refer also to the instructions included with the aftermarket radio.*

- 1 Disconnect the negative battery terminal to prevent an accidental short circuit.
- 2 Remove (1) Phillips head screw from above instrument cluster.
- 3 Unclip and remove dash trim panel.
- 4 Remove (4) Phillips head screws securing the radio. Unplug and remove the radio.

*Continue to kit preparation.*

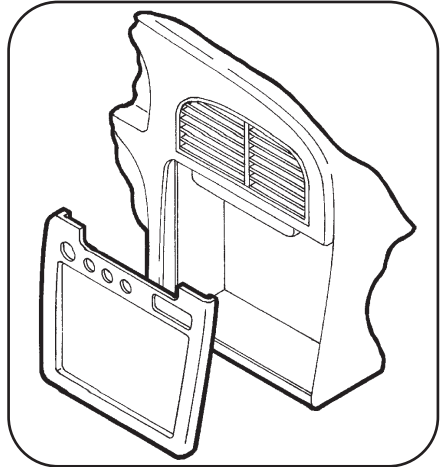


**SPORTAGE 1998-2000**

*\*Note: Refer also to the instructions included with the aftermarket radio.*

- 1** Disconnect the negative battery terminal to prevent an accidental short circuit.
- 2** Unclip and remove dash trim panel.
- 3** Remove (4) Phillips head screws securing the radio. Unplug and remove the radio.

*Continue to kit preparation.*

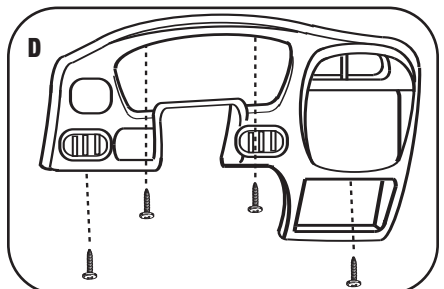
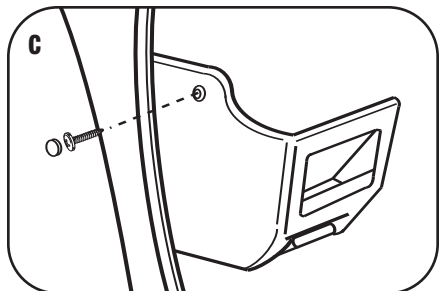
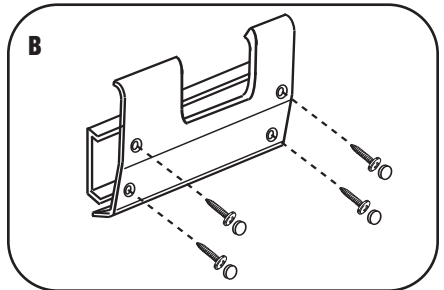
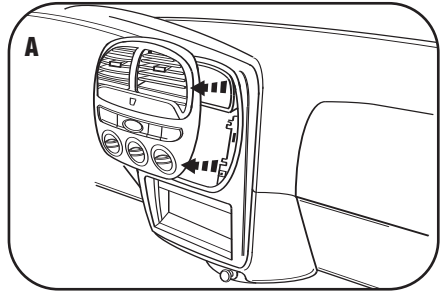


## SPORTAGE 2001-2003

*\*Note: Refer also to the instructions included with the aftermarket radio.*

- 1 Disconnect the negative battery terminal to prevent an accidental short circuit.
- 2 Unclip and remove climate control/vent trim panel. (Figure A)
- 3 Remove screw covers from trim panel below steering column and remove screws from behind covers. Lower the trim panel (it is not necessary to remove the panel). (Figure B)
- 4 Remove (3) Phillips head screws from bottom of steering column housing and remove both upper and lower sections of housing.
- 5 Remove (1) Phillips head screw from outside left edge of dash and (2) Phillips head screws from near hood release. (Figure C)
- 6 Loosen nut behind hood release and remove lower left side dash trim. (Figure C)
- 7 Remove (4) Phillips head screws from instrument trim panel and remove panel. (Figure D)
- 8 Remove (4) Phillips head screws securing the radio. Unplug and remove the radio.

*Continue to kit assembly.*

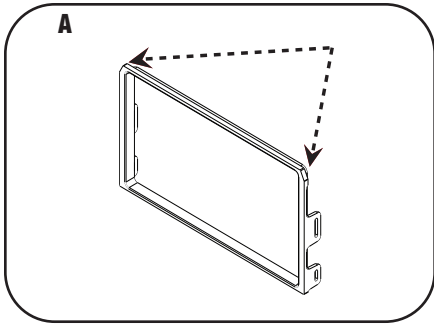


## KIT ASSEMBLY PREPARATION

*\*Note: Refer also to the instructions included with the aftermarket radio.*

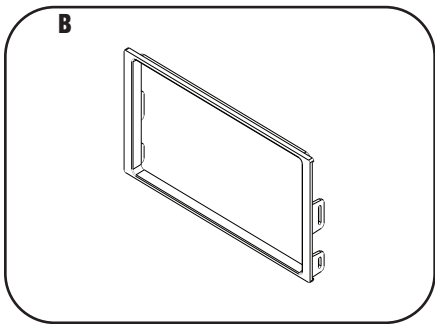
### **RIO 2001** **SEPHIA 1995-1997**

Use the trim with notched corners at the top and the first set of tabs on the brackets. (Figure A)



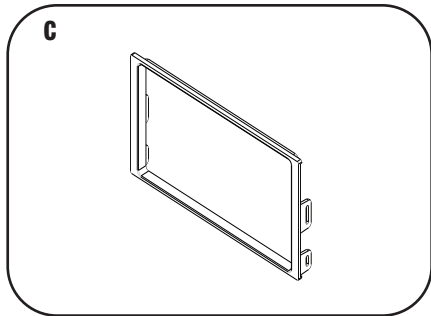
### **SEPHIA 1998-2001** **SPECTRA 2000-2001**

Use the trim without the notched corners and the second set of mounting tabs. (Figure B)



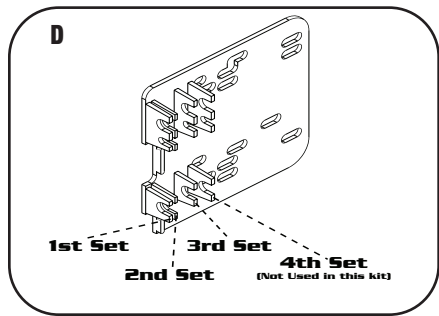
### **SPORTAGE 1998-2003**

Use the trim without the notched corners and the third set of mounting tabs. (Figure C)



### **DDIN BRACKETS**

Use the following sets of mounting tabs for each model respectively. The fourth set of tabs will not be used in this kit.



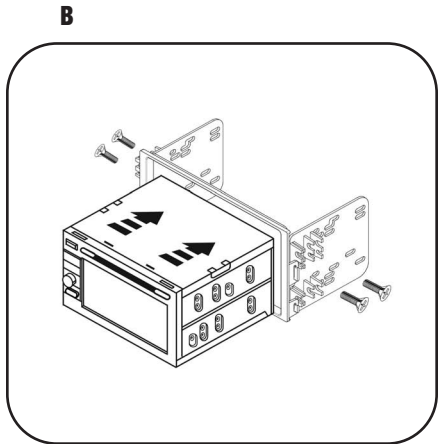
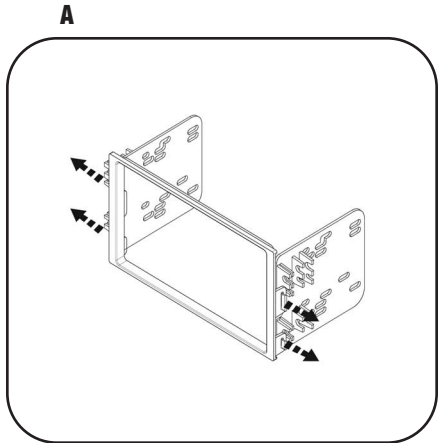
*Continue to kit assembly.*



## DOUBLE DIN / STACKED ISO DIN HEAD UNIT PROVISION

*\*Note: Refer also to the instructions included with the aftermarket radio.*

- 1 Locate the factory wiring harness in the dash. Metra recommends using the proper mating adapter from Metra or AXCESS. Re-connect the negative battery terminal and test the unit for proper operation.
- 2 Clip the brackets into the sides of the DDIN trim plate. (Figure A)
- 3 Slide the Double DIN head unit or stacked ISO head units into the bracket/radio housing assembly and secure to the assembly using the screws supplied with the radio. (Figure B)
- 4 Reassemble dash in reverse order of disassembly.



# 95-1003 INSTRUCTIONS

## NOTES

---

---

---

---

---

---

---

---

---

---

---

# **95-1003 INSTRUCTIONS**

## **NOTES**

---

---

---

---

---

---

---

---

---

---

---

# 95-1003 INSTRUCTIONS



**1-800-221-0932**



**[www.metraonline.com](http://www.metraonline.com)**

Rev. 11/16/09 © COPYRIGHT 2004-2009 METRA ELECTRONICS CORPORATION INST95-1003