



Installation instructions for part 95-3016G

Chevy Colorado, GMC Canyon 2015-up

(Sub-dash modifications required)

95-3016G

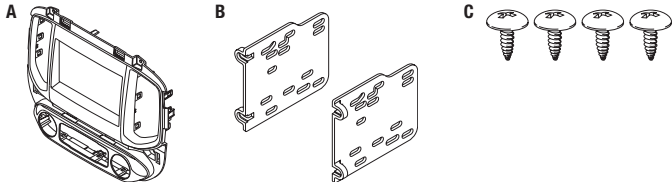
KIT FEATURES

- ISO Double DIN radio provision
- *Painted gunmetal gray*



KIT COMPONENTS

- A) Radio trim panel • B) Radio brackets • C) (4) #8 x 3/8" Phillips pan-head screws



WIRING & ANTENNA CONNECTIONS (sold separately)

- Wiring Harness: • GMOS-LAN-09 • LC-GMRC-LAN-09 • AX-LCD
- Antenna Adapter: • 40-EU55

Table of Contents

Dash Disassembly 2

Kit Preparation 2

Kit Assembly

– ISO Double DIN radio provision 3

TOOLS REQUIRED

- Cutting tool • Panel removal tool
- Phillips screwdriver • Socket wrench

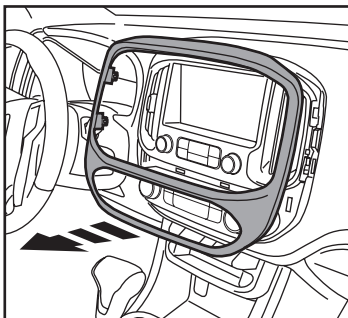
CAUTION: Metra recommends disconnecting the negative battery terminal before beginning any installation, unless the vehicle manufacturer recommends against so. Please check with your local Dealership for more information. All accessories, switches, climate controls panels, and especially air bag indicator lights must be connected before reconnecting the battery or cycling the ignition. Also, do not remove the factory radio with the key in the on position, or the vehicle running. It would be best to remove the key from the ignition and then wait a few seconds before removing the factory radio.

REV.6/23/2015 INST95-3016G

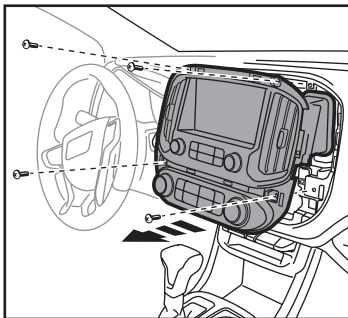
Dash Disassembly

1. Unclip and remove the trim panel surrounding the radio/climate control panel. (Figure A)
2. Remove (4) 9/32" screws securing the radio/climate control panel. (Figure B)
3. Remove (2) 9/32" screws securing the CD player then unplug and remove the player.
4. Unclip and slide out the factory tuner module then unplug and remove it.
5. Unclip and remove the climate controls from the factory trim panel.
6. Unclip and remove the climate control vents from the factory trim panel.

Continue to kit preparation



(Figure A)

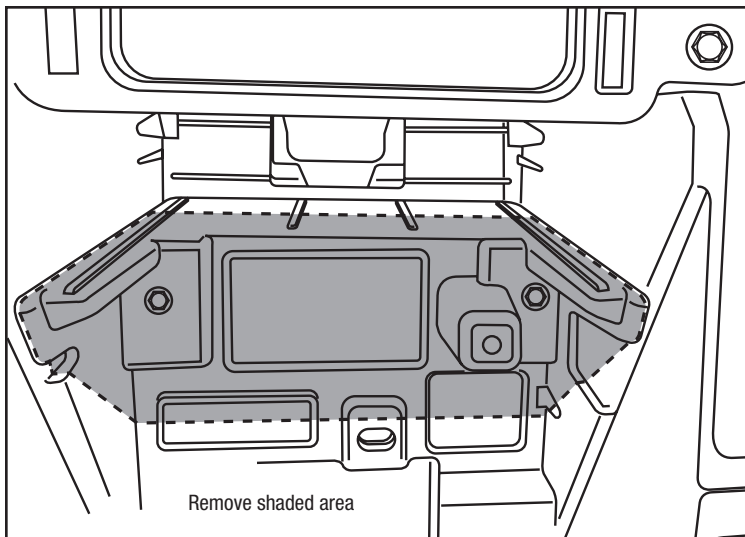


(Figure B)

Kit Preparation

1. Cut and remove the specified areas in the sub dash. (Figure A)

Continue to kit assembly

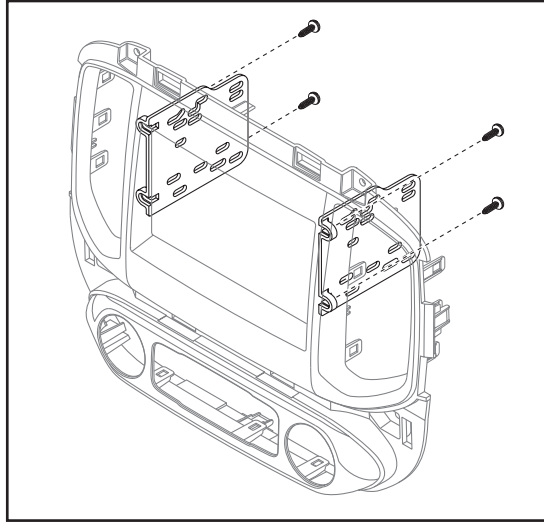


(Figure A)

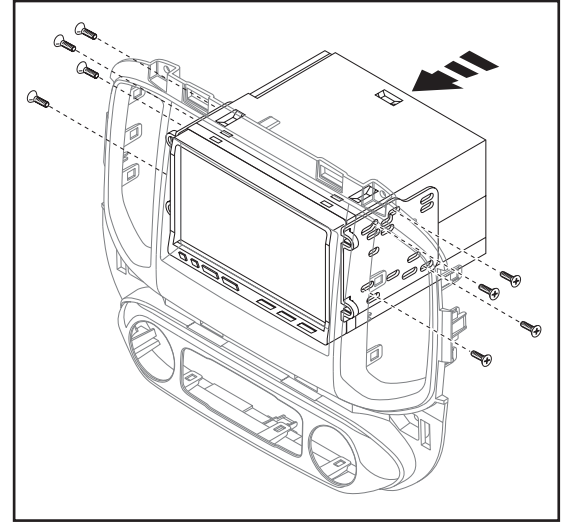
Kit Assembly

Double DIN radio provision

1. Attach the radio brackets to the radio trim panel with (4) of the supplied #8 x 3/8" Phillips screws. (Figure A)
2. Slide the radio into the bracket trim panel assembly and secure with the screws supplied with the radio. (Figure B)
3. Clip the climate controls into the radio trim panel assembly.
4. Clip the climate control vents into the radio trim panel assembly.
5. Locate the factory wiring harness and antenna plug in the dash. Metra recommends using the proper mating adapters from Metra and/or AXCESS.
6. Reassemble the dash in the reverse order of disassembly.



(Figure A)



(Figure B)



Installation instructions for part 95-3016G



IMPORTANT

If you are having difficulties with the installation of this product, please call our Tech Support line at 1-800-253-TECH. Before doing so, look over the instructions a second time, and make sure the installation was performed exactly as the instructions are stated. Please have the vehicle apart and ready to perform troubleshooting steps before calling.



KNOWLEDGE IS POWER

Enhance your installation and fabrication skills by enrolling in the most recognized and respected mobile electronics school in our industry. Log onto www.installerinstitute.com or call 800-354-6782 for more information and take steps toward a better tomorrow.



Metra recommends MECP certified technicians

REV. 6/23/2015 INST95-3016G