



INSTALLATION INSTRUCTIONS FOR PART 95-5818

APPLICATIONS

See application list inside

Ford/Lincoln 1997-2002 95-5818

KIT FEATURES

- Double DIN radio provision

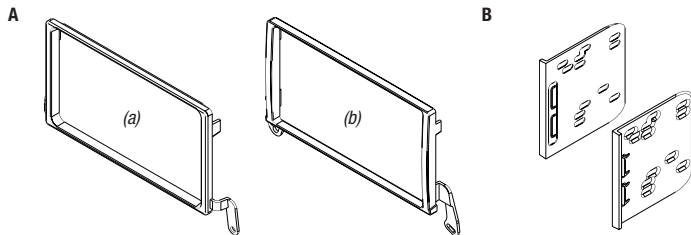
NOTE:

- Major sub dash modifications are necessary to use this dash kit. You will need to trim the sub dash to gain suitable depth and height.



KIT COMPONENTS

- A) (2) Double DIN trim plates • B) Double DIN brackets



WIRING & ANTENNA CONNECTIONS (sold separately)

Wiring Harness:

- 70-1770 - Ford harness 1985-2004
- 70-1771 - Ford harness 1998-up
- 70-5519 - Ford amp interface harness 1998-2011
- 70-5603 - Ford amp interface harness 1995-2002
- 70-5701 - Ford amp interface harness 1998-2011

Antenna Adapter:

- Not required

TOOLS REQUIRED

- Dremel or cutting tool • Small flat blade screwdriver • Panel removal tool • Socket wrench
- Metra 86-5618 removal keys

CAUTION: Metra recommends disconnecting the negative battery terminal before beginning any installation. All accessories, switches, and especially air bag indicator lights must be plugged in before reconnecting the battery or cycling the ignition.

NOTE: Refer to the instructions included with the aftermarket radio.

Applications

Ford

Expedition.....	1997-2002
F-150.....	1997-2003
F-150 Heritage.....	2004
F-250.....	1998

Lincoln

Blackwood.....	2002
Navigator.....	1997-2002

Table of Contents

Dash Disassembly

– All Vehicles.....	2
---------------------	---

Kit Assembly

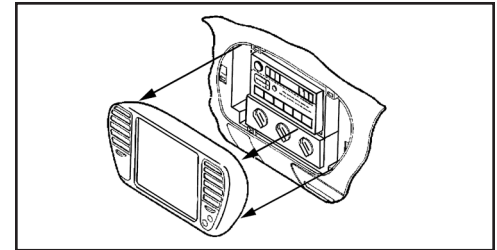
– Double DIN radio provision.....	3
-----------------------------------	---

All Vehicles

1. Unclip and remove the panel surrounding the radio. (Figure A)
2. Using the Metra 86-5618 removal keys, slide the radio out of the radio cavity. Unplug and remove the radio. (Figure B)
3. Remove the (4) 7 mm screws at the sides of the factory climate control and remove the factory climate control. (Figure C)
4. Cut and remove obstructions in dash cavity. (Figure D)

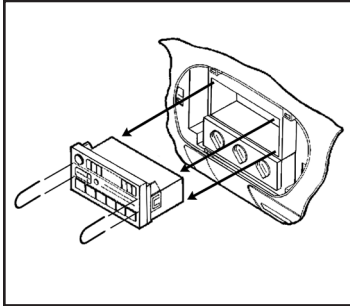
Caution: Be careful not to cut into harnesses or electronic components.

Continue to kit assembly

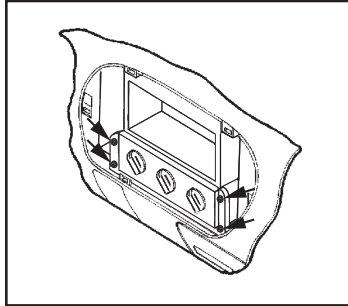


(Figure A)

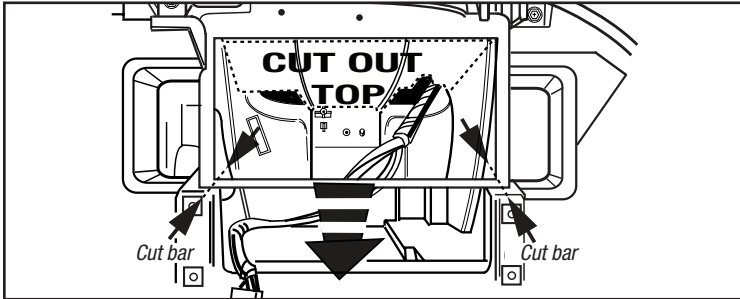
All Vehicles



(Figure B)



(Figure C)

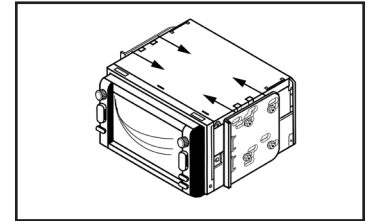


(Figure D)

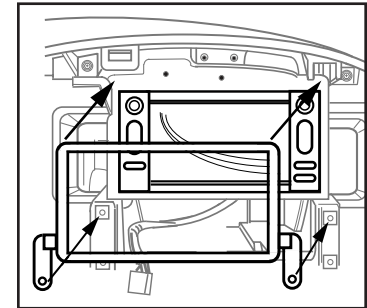
Double DIN radio provision

NOTE: Major sub dash modifications are necessary to use this dash kit. You will need to trim the sub dash to gain suitable depth and height.

1. Attach the double DIN brackets to the radio using the screws supplied with the radio. (Figure A)
2. Locate the factory wiring harness in the dash. Metra recommends using the proper mating adapter from Metra or AXCESS.
3. Re-connect the negative battery terminal and test the radio for proper operation.
4. Slide the double DIN radio assembly into the modified sub dash until it clicks into place.
5. Attach the appropriate double DIN trim plate using the top (2) screw positions of the climate control. (Figure B)
6. Reassemble the rest of the dash in reverse order of disassembly.



(Figure A)



(Figure B)



INSTALLATION INSTRUCTIONS FOR PART 95-5818



REV 11/4/2013 INST95-5818



KNOWLEDGE IS POWER

Enhance your installation and fabrication skills by enrolling in the most recognized and respected mobile electronics school in our industry. Log onto www.installerinstitute.com or call 800-354-6782 for more information and take steps toward a better tomorrow.



**Metra recommends MECP
certified technicians**