



Nissan Maxima* 2000-2003

* With Bose and/or comfort and convenience package.

Visit MetraOnline.com for more detailed information about the product and up-to-date vehicle specific applications

KIT FEATURES

- ISO DDIN radio provision
- Painted scratch resistant gray to match factory dash

KIT COMPONENTS

- A) Radio trim panel

A

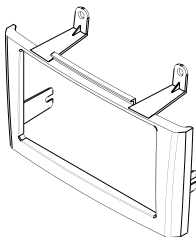


TABLE OF CONTENTS

Dash Disassembly	2
Kit Assembly	3

WIRING & ANTENNA CONNECTIONS (sold separately)

Wiring Harness: 70-7550
Antenna Adapter: 40-N111

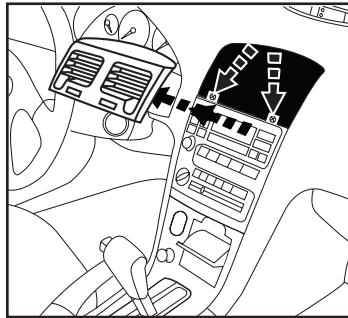
TOOLS REQUIRED

- Panel removal tool • Phillips screwdriver

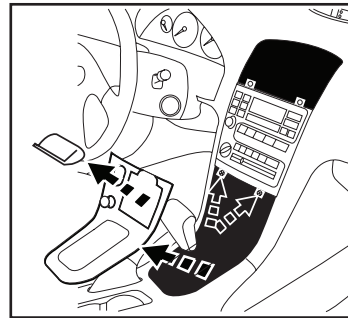
Attention! Let the vehicle sit with the key out of the ignition for a few minutes before removing the factory radio. When testing the aftermarket equipment, ensure that all factory equipment is connected before cycling the key to ignition.

DASH DISASSEMBLY

1. Unclip and remove the climate control vent panel. (Figure A)
2. Remove (2) Phillips screws exposed behind the vents. (Figure A)
3. Remove the ashtray and (1) Phillips screw exposed in the ashtray cavity. (Figure B)
4. Unclip and remove the gear shift trim panel. (Figure B)
5. Remove (2) Phillips screws exposed behind gear shift trim panel. (Figure B)
6. Unclip and remove the radio/climate control assembly.
7. Remove (8) Phillips screws securing the factory radio to the bracket assembly.



(Figure A)

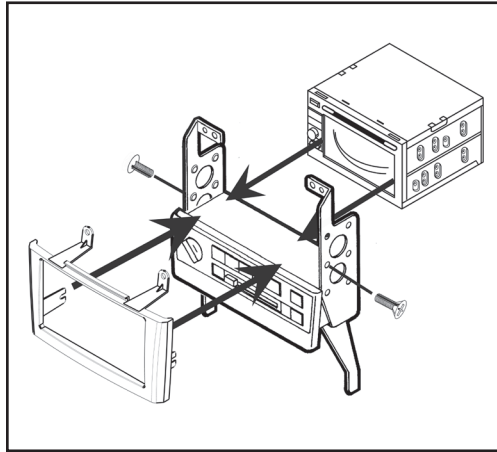


(Figure B)

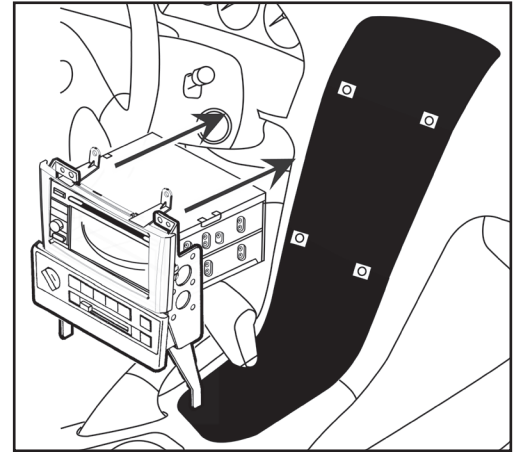
Continue to Kit Assembly

KIT ASSEMBLY

1. Place the **radio trim panel** between the factory radio brackets in preparation for the following step. (Figure A)
2. Slide the radio between the factory radio brackets and through the back of the **radio trim panel**. Secure the radio and panel to the brackets using the screws supplied with the radio. (Figure A)
3. Locate the factory wiring harness and antenna connector in the dash, and complete all necessary connections to the radio and climate controls. Metra recommends using the proper mating adapter from Metra and/or AXXESS. Test the radio for proper operation.
4. Secure the completed assembly into the dash using the factory screws, then reassemble the dash in reverse order of disassembly to complete the installation. (Figure B)



(Figure A)



(Figure B)



95-7416G
INSTALLATION INSTRUCTIONS



If you are having difficulties with the installation of this product, contact our Tech Support line either by phone at **1-800-253-TECH**, or email at **techsupport@metra-autosound.com**. Before doing so, look over the instruction booklet a second time and ensure that the installation was performed exactly as the instruction booklet is stated. Have the vehicle apart and ready to perform troubleshooting steps before contacting Metra/Axxess Tech Support.



KNOWLEDGE IS POWER

Enhance your installation and fabrication skills by enrolling in the most recognized and respected mobile electronics school in our industry. Log onto www.installerinstitute.com or call 800-354-6782 for more information and take steps toward a better tomorrow.



Metra recommends MECP certified technicians