



## INSTALLATION INSTRUCTIONS FOR PART 95-7425

# APPLICATIONS

## Nissan Rogue 2008-2010

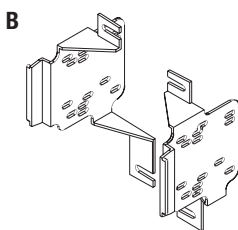
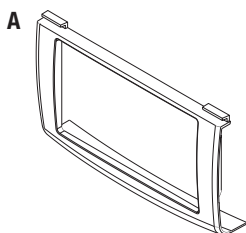
### 95-7425

#### KIT FEATURES

- Double DIN radio provision
- Stacked ISO mount units provision

#### KIT COMPONENTS

- A) Double DIN radio housing
- B) Double DIN brackets



#### WIRING & ANTENNA CONNECTIONS (Sold Separately)

Wiring Harness:

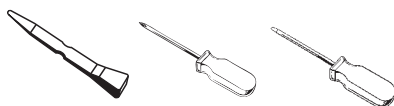
- 70-7552 Nissan harness 07-up
- 40-NI12 Nissan antenna adapter 07-up

Antenna Adapter:

- Not Required

#### TOOLS REQUIRED

Panel Removal Tool • Phillips Screwdriver • Small Flat Blade Screwdriver



**METRA. THE WORLD'S BEST KITS.™**



**1-800-221-0932**



**metraonline.com**

© COPYRIGHT 2004-2011 METRA ELECTRONICS CORPORATION



95-7425

## Table of Contents

### Dash Disassembly

– Nissan Rouge 2008-2010..... 3-4

### Kit Assembly

– Double DIN/stacked ISO mount units provision ..... .5

### Caution

*Metra recommends disconnecting the negative battery terminal before beginning any installation. All accessories, switches, and especially air bag indicator lights must be plugged in before reconnecting the battery or cycling the ignition.*

*\*NOTE: Refer also to the instructions included with the aftermarket radio.*



#### KNOWLEDGE IS POWER

Enhance your installation and fabrication skills by enrolling in the most recognized and respected mobile electronics school in our industry. Log onto [www.installerinstitute.com](http://www.installerinstitute.com) or call 800-354-6782 for more information and take steps toward a better tomorrow.



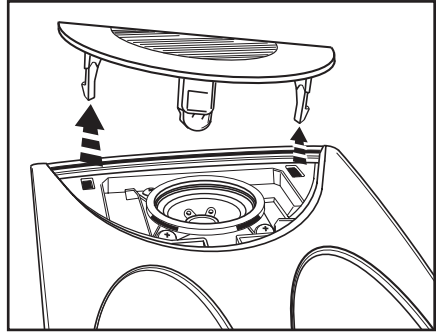
**Metra recommends MECP certified technicians**

## Dash Disassembly

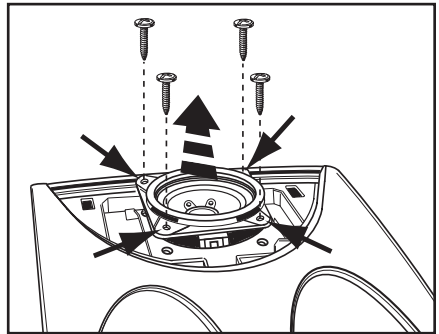
1. **If equipped with center speaker:**  
Unclip and remove the grille (Figure A). Remove (4) Phillips screws securing the speaker. Unplug and remove the speaker. (Figure B).
2. Unclip the panel above the radio including the a/c vents, then unplug hazard switch and remove. (Figure C)

**Note: If not equipped with center speaker skip step number 2.**

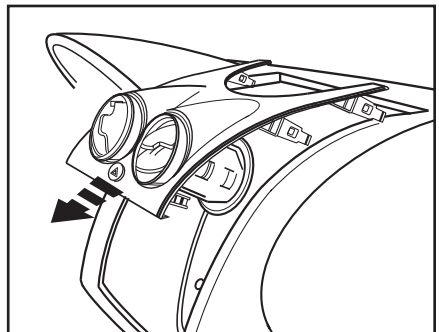
*Continued on next page*



(Figure A)



(Figure B)

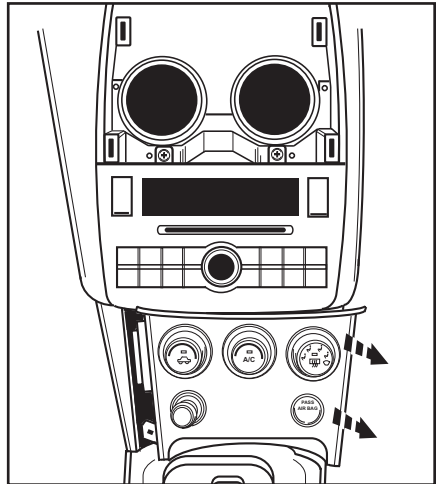


(Figure C)

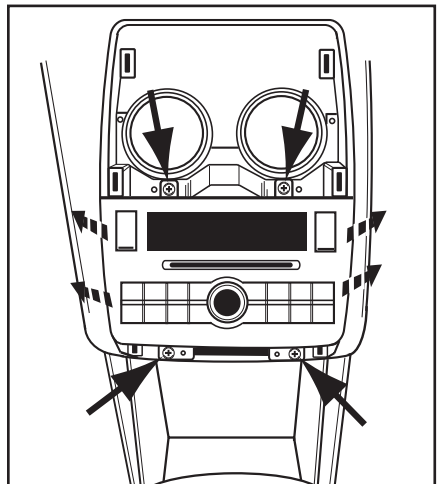
## Dash Disassembly

3. Unclip the panel below the radio including the climate controls. Unplug climate controls and remove the panel. (Figure D)
4. Remove (4) Phillips screws securing the radio, unplug and remove radio. (Figure E)

*Continue to kit assembly*



(Figure D)



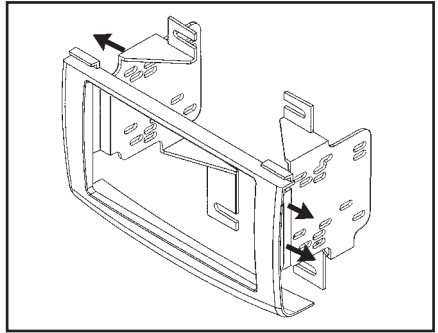
(Figure E)



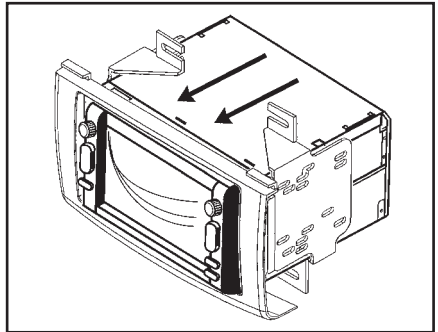
## Kit Assembly 95-7425

### Double DIN/stacked ISO mount units provision

1. Locate the factory wiring harness in the dash. Metra recommends using the proper mating adapter from Metra or AXCESS. Re-connect the negative battery terminal and test the unit for proper operation.
2. Snap the Double DIN brackets to the inside edge of the Double DIN radio housing. (Figure A)
3. Slide the Double DIN or the stacked ISO mount unit(s) into the bracket/radio housing assembly and secure the unit(s) to the assembly using the screws supplied with the unit(s). (Figure B)
4. Reassemble dash in reverse order of disassembly.



(Figure A)



(Figure B)







**INSTALLATION INSTRUCTIONS FOR PART 95-7425**

REV. 5/13/11

**METRA. THE WORLD'S BEST KITS.™**



**1-800-221-0932**



**metraonline.com**

© COPYRIGHT 2004-2011 METRA ELECTRONICS CORPORATION