



Installation instructions for part 95-7427

## Nissan Maxima 2009-2014

(w/o Navigation or Technology Package)

### 95-7427

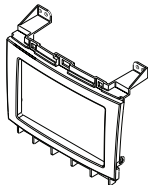
#### KIT FEATURES

- ISO DDIN radio provision
- PAINTED TO MATCH FACTORY DASH:  
95-7427B=BLACK, 95-7427G=GRAY
- Textured To Match Factory Dash

#### KIT COMPONENTS

- A) Double DIN radio housing

A



#### WIRING & ANTENNA CONNECTIONS (sold separately)

Wiring Harness: • 70-7552

Antenna Adapter: • 40-NI12

#### TOOLS REQUIRED

- Torx screwdriver • Panel removal tool • Phillips screwdriver

## Table of Contents

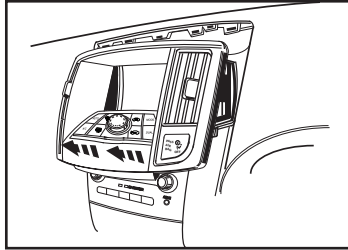
Dash Disassembly .....	2
Kit Assembly	
– ISO DDIN radio provision .....	3

**CAUTION!** Metra recommends disconnecting the negative battery terminal before beginning any installation, unless the vehicle manufacturer recommends against so. Please check with your local Dealership for more information. All accessories, switches, climate controls panels, and especially air bag indicator lights must be connected before reconnecting the battery or cycling the ignition. Also, do not remove the factory radio with the key in the on position, or the vehicle running. It would be best to remove the key from the ignition and then wait a few seconds before removing the factory radio.

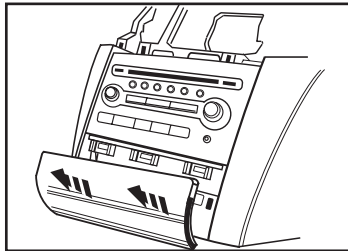
REV. 7/16/2015 INST95-7427

## Dash Disassembly

1. Unclip and remove the panel above the radio including the a/c vents and the climate controls. Unplug and remove the panel. (Figure A)
2. Unclip and remove the panel below the radio. (Figure B)



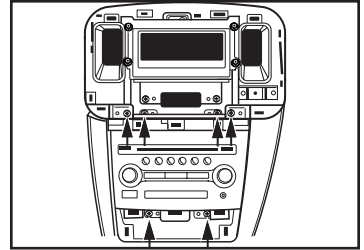
(Figure A)



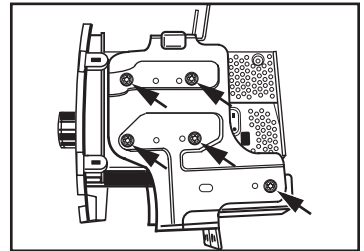
(Figure B)

3. Remove (6) Phillips screws securing the radio. Unplug and remove the radio. (Figure C)
4. Remove (4) Torx head screws securing each side bracket to the factory radio. Slightly loosen (1) Torx head screw from each side of the module below the radio, and then remove just the radio. Retain the brackets and module for re-use during kit assembly. (Figure D)

*Continue to kit assembly*



(Figure C)

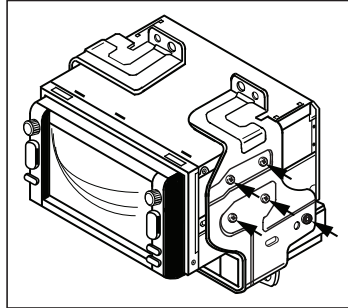


(Figure D)

## Kit Assembly

### ISO DDIN radio provision

1. Attach the factory brackets and module removed from disassembly to the aftermarket radio with the screws supplied with the radio. Tighten the (2) Torx head screws to the module that were loosened in disassembly. (Figure A)
2. Locate the factory wiring harness and antenna plug in the dash and make all necessary connections to the radio. Metra recommends using the proper mating adapters from Metra and/or AXCESS. Re-connect the negative battery terminal and test the radio for proper operation.
3. Mount the new radio assembly into the dash and reassemble the dash in reverse order of disassembly.



(Figure A)



Installation instructions for part 95-7427



## IMPORTANT

If you are having difficulties with the installation of this product, please call our Tech Support line at **1-800-253-TECH**. Before doing so, look over the instructions a second time, and make sure the installation was performed exactly as the instructions are stated. Please have the vehicle apart and ready to perform troubleshooting steps before calling.



### KNOWLEDGE IS POWER

Enhance your installation and fabrication skills by enrolling in the most recognized and respected mobile electronics school in our industry. Log onto [www.installerinstitute.com](http://www.installerinstitute.com) or call 800-354-6782 for more information and take steps toward a better tomorrow.



**Metra recommends MECP certified technicians**

REV. 7/16/2015 INST95-7427