



BMW 5-Series 2004-2007

Visit MetraOnline.com for more detailed information about the product and up-to-date vehicle specific applications

KIT FEATURES

- ISO DDIN radio provision
- Painted matte black

KIT COMPONENTS

- A) Radio trim panel • B) ISO DDIN trim • C) Radio brackets • D) Display panel cover • E) Rubber mat

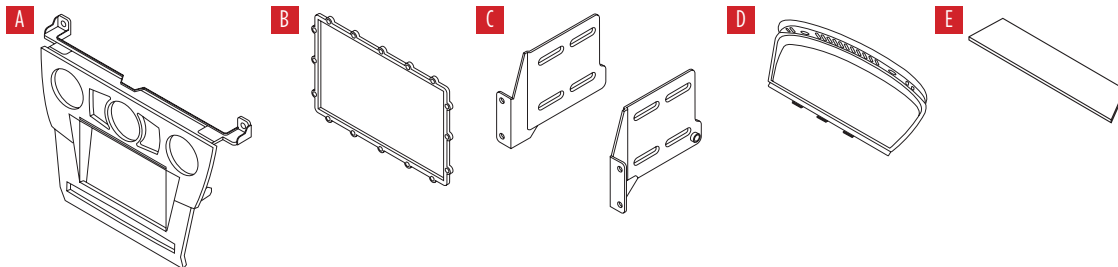


TABLE OF CONTENTS

Dash Disassembly	2
Kit Preparation	3
Kit Assembly	3

WIRING & ANTENNA CONNECTIONS (sold separately)

Wiring Harness: TBA

Antenna Adapter: 40-EU10

TOOLS REQUIRED

- Panel removal tool • Phillips screwdriver

Attention! Let the vehicle sit with the key out of the ignition for a few minutes before removing the factory radio. When testing the aftermarket equipment, ensure that all factory equipment is connected before cycling the key to ignition.

DASH DISASSEMBLY

1. Unclip and remove the lower trim panel.
2. Unclip and remove the a/c vent trim panel.
3. Remove (2) screws securing the radio/ climate control panel, then unplug and remove the panel.
4. Remove (4) screws securing the radio, then unplug and remove the radio.
5. Remove (2) screws securing the radio display screen, then unplug and remove the screen.

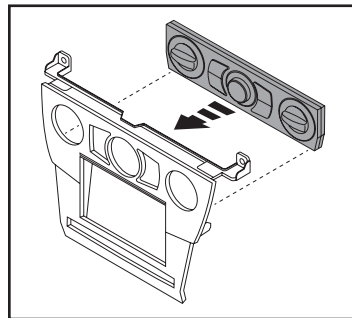
Continue to Kit Preparation

Please visit Metraonline.com for Dash Disassembly illustrations.

KIT PREPARATION

1. Remove (2) screws securing the climate controls to the radio/climate control panel, then remove the climate controls.
2. Secure the climate controls to the *radio trim panel* using the factory screws. (Figure A)
3. Remove (2) clips from the radio/climate control panel, then attach them onto the *radio trim panel*.

Continue to Kit Assembly

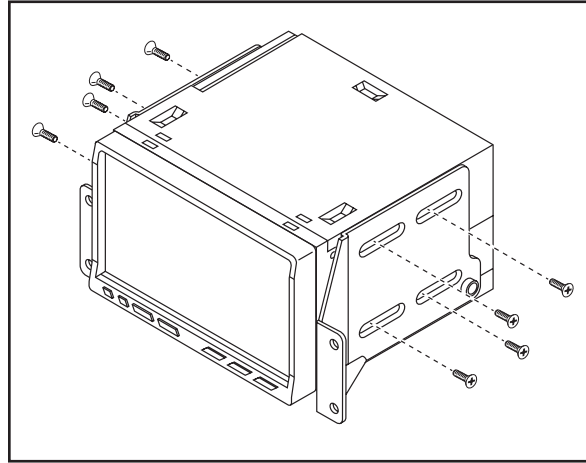


(Figure A)

KIT ASSEMBLY

ISO DDIN radio provision

1. Secure the *radio brackets* to the radio using the screws provided with the radio. (Figure A)
2. Locate the factory wiring harness and antenna connection in the dash, and complete all necessary connections to the radio. Metra recommends using the proper mating adapter from Metra and/or Axxess. Test the radio for proper operation.
3. Secure the completed assembly to the dash using the factory screws.
4. Attach the *ISO DDIN trim* to the *radio trim panel*, and then reassemble the dash in reverse order of disassembly.
5. Snap the *display panel cover* in place of the radio display.
6. Using double sided tape (not provided), attach the *rubber mat* onto the shelf on the bottom edge of the *display panel cover* to complete the installation.



(Figure A)



95-9314B
INSTALLATION INSTRUCTIONS



If you are having difficulties with the installation of this product, contact our Tech Support line either by phone at **1-800-253-TECH**, or email at **techsupport@metra-autosound.com**. Before doing so, look over the instruction booklet a second time and ensure that the installation was performed exactly as the instruction booklet is stated. Have the vehicle apart and ready to perform troubleshooting steps before contacting Metra/Axxess Tech Support.



KNOWLEDGE IS POWER

Enhance your installation and fabrication skills by enrolling in the most recognized and respected mobile electronics school in our industry. Log onto www.installerinstitute.com or call 800-354-6782 for more information and take steps toward a better tomorrow.



**Metra recommends MECP
certified technicians**