



Land Rover Range Rover Evoque (with 5" screen) 2012-up*

*Visit MetraOnline.com for up-to-date vehicle specific applications.

KIT FEATURES

- ISO DDIN radio provision
- Painted matte black

KIT COMPONENTS

- A) Radio trim panel • B) Radio brackets • C) Parking brake switch • D) Parking brake switch harness (not shown)

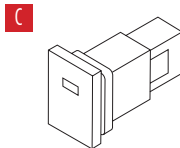
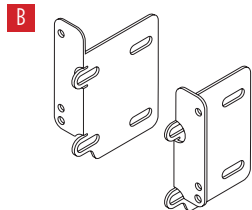
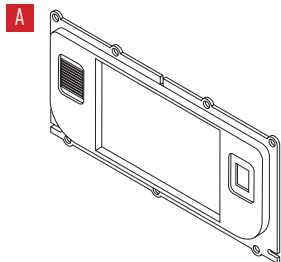


TABLE OF CONTENTS

Dash Disassembly.....	2
Kit Assembly	
–ISO DDIN radio provision.....	3

WIRING & ANTENNA CONNECTIONS (sold separately)

- Wiring Harness: • AX-LR902 (without amp)
- AX-LR903 (with amp, 12-14)
- Antenna Adapter: 40-EU56

TOOLS REQUIRED

- Panel removal tool • Phillips screwdriver
- Torx T-15 and T-20 screwdriver

CAUTION! All accessories, switches, climate controls panels, and especially air bag indicator lights must be connected before cycling the ignition. Also, do not remove the factory radio with the key in the on position, or while the vehicle is running.

DASH DISASSEMBLY

1. Unclip and remove the “H” shaped trim around the steering column and speedometer cluster.
2. Remove (2) Torx T20 screws now exposed securing the dash panel surrounding the radio display.
3. Open the passenger door, then unclip and remove the panel on the side of the dash. Remove (2) Torx T20 screws now exposed.
4. Unclip and remove the trim panels to the left and right of the front of the center console. Remove (1) Torx T20 screw now exposed from each side.
5. Unclip, unplug, and remove the dash panel.
6. Remove (4) Torx T15 screws securing the radio display, then unplug and remove the display.

Media drive removal

(for wiring harness access)

Attention! Disconnect the battery to avoid a handbrake error. The error can be reset with 3 ignition cycles.

7. Remove (2) Torx T20 screws from behind media drive panel.
8. Unclip the center console enough to expose the (2) connectors behind it. Unplug those connectors, then raise the console up higher to expose a third connector in the middle. Unplug that connector to remove the console.
9. Remove (2) Torx T15 screws securing the radio chassis, then unplug and remove the chassis.

Continue to Kit Preparation

Please visit Metraonline.com for Dash Disassembly illustrations.

KIT PREPARATION

1. Remove (7) screws securing the radio button panel to the factory dash panel, then remove.
2. Secure the radio trim panel to the factory dash panel using the (7) factory screws.
3. Snap the parking brake switch into the panel assembly.

Note: The parking brake switch will connect to the Axxess interface, either part number AX-LR902 or AX-LR903 (sold separately).

Continue to Kit Assembly

Please visit Metraonline.com for Kit Preparation illustrations.

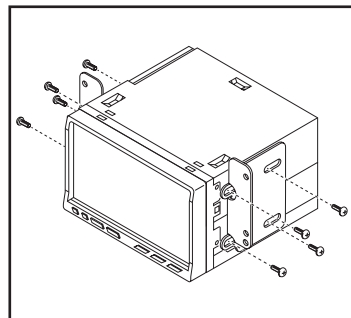
KIT ASSEMBLY

ISO DDIN radio provision

1. Attach the radio brackets to the radio using the screws supplied with the radio. (Figure A)
2. Locate the factory wiring harness and antenna connector in the dash and complete all necessary connections to the radio. Metra recommends using the proper mating adapter from Metra and/or Axxess.

Note: The factory radio harness is located at the media drive lower in the dash.

3. Test the radio for proper operation.
4. Secure the radio assembly to the dash using the factory screws.
5. Reassemble the dash in reverse order of disassembly to complete the installation.



(Figure A)



95-9403B
INSTALLATION INSTRUCTIONS



IMPORTANT

If you are having difficulties with the installation of this product, please call our Tech Support line at 1-800-253-TECH. Before doing so, look over the instructions a second time, and make sure the installation was performed exactly as the instructions are stated. Please have the vehicle apart and ready to perform troubleshooting steps before calling.



KNOWLEDGE IS POWER

Enhance your installation and fabrication skills by enrolling in the most recognized and respected mobile electronics school in our industry. Log onto www.installerinstitute.com or call 800-354-6782 for more information and take steps toward a better tomorrow.



**Metra recommends MECP
certified technicians**