



Porsche
911 (991) 2012-2016
Boxster (981) 2013-2016
Caymen (981) 2014-2016

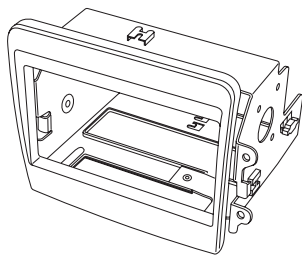
KIT FEATURES

- ISO DDIN radio provision
- Painted matte black

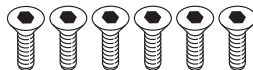
KIT COMPONENTS

- A) Radio trim panel • B) Radio bracket • C) Allen head machine-thread screws (6) • D) Push nut retainers (4)

A/B



C



D



TABLE OF CONTENTS

Dash Disassembly	2
Kit Assembly	3

WIRING & ANTENNA CONNECTIONS

Wiring Harness: Please visit metraonline.com for wiring harness options

Antenna Adapter: Please visit metraonline.com for antenna adapter options

TOOLS REQUIRED

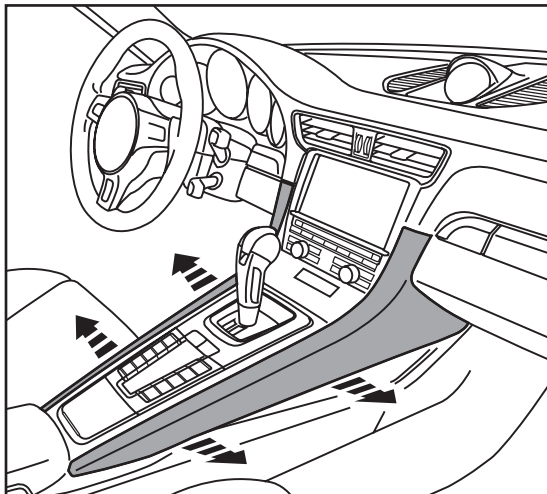
- Panel removal tool • Phillips screwdriver
- Torx screwdriver

Attention! With the key out of the ignition, disconnect the negative battery terminal before installing this product. Ensure that all installation connections are secure before cycling the ignition to test this product.

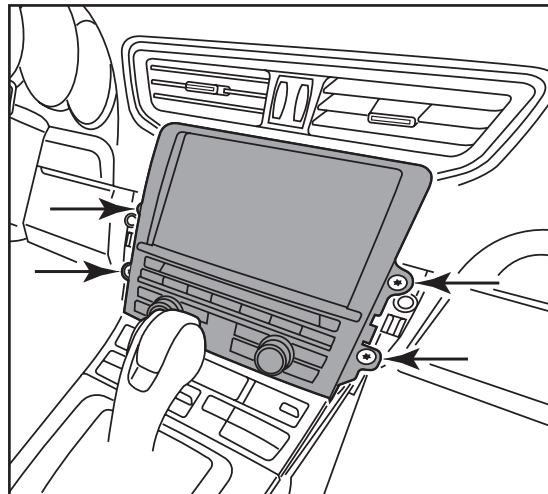
DASH DISASSEMBLY

1. Unclip the center console side panels starting from the rear, then pull back to release the front of the panels.
Note: Pull out away from console and toward back of vehicle. (Figure A)
2. Remove (4) T-25 Torx screws securing the radio then unplug and remove the radio from the dash. (Figure B)

Continue to Kit Assembly



(Figure A)



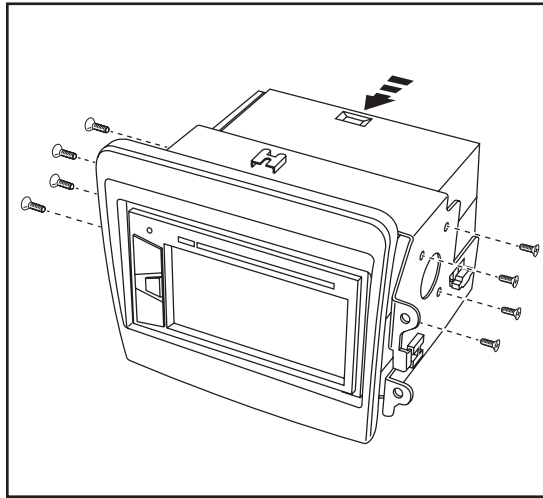
(Figure B)

KIT ASSEMBLY

1. Secure the **radio trim panel** to the **radio bracket** using the (4) included push nut retainers. (Figure A)
2. Slide the radio into the 95-9607B assembly from the back, and then secure the radio using the screws provided with the radio. (Figure A)

Note: Allen head screws are provided if needed.

3. Locate the factory wiring harness and antenna connection in the dash, and complete all necessary connections to the radio. Metra recommends using the proper mating adapter from Metra and/or Axxess. Test the radio for proper operation.
4. Secure the completed assembly to the dash using the factory screws.
5. Reassemble the dash in reverse order of disassembly to complete the installation.



(Figure A)



95-9607B
INSTALLATION INSTRUCTIONS



Having difficulties? We're here to help.



Contact our Tech Support line at:

386-257-1187



Or via email at:

techsupport@metra-autosound.com

Tech Support Hours (Eastern Standard Time)

Monday - Friday: 9:00 AM - 7:00 PM

Saturday: 10:00 AM - 7:00 PM

Sunday: 10:00 AM - 4:00 PM



KNOWLEDGE IS POWER

Enhance your installation and fabrication skills by enrolling in the most recognized and respected mobile electronics school in our industry. Log onto www.installerinstitute.edu or call 386-672-5771 for more information and take steps toward a better tomorrow.



**Metra recommends MECP
certified technicians**