



### Porsche Macan (95B) 2015-2016

For non-amplified vehicles

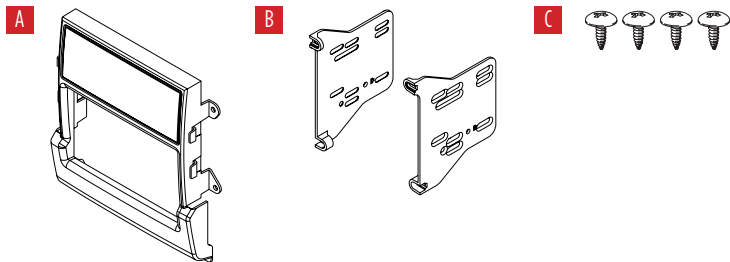
Visit [MetraOnline.com](http://MetraOnline.com) for more detailed information about the product and up-to-date vehicle specific applications

#### KIT FEATURES

- ISO DDIN radio provision
- Includes an Axxess interface for retaining CAN data information
- Includes an Axxess interface for retaining steering wheel control functionality
- Painted matte black

#### KIT COMPONENTS

- A) Radio trim panel • B) Radio brackets • C) (4) #8 3/8" Phillips screws



#### TABLE OF CONTENTS

Dash Disassembly.....	2
Kit Assembly.....	3
Axxess Interface Installation.....	4-6
Final Assembly.....	7

#### WIRING & ANTENNA CONNECTIONS

- Wiring Harness: Included with kit
- Antenna Adapter: Included with kit
- Steering Wheel Control Interface: Included with kit

#### TOOLS REQUIRED

- 3mm Allen screwdriver • Long hook tool
- Panel removal tool • T-27 Torx screwdriver

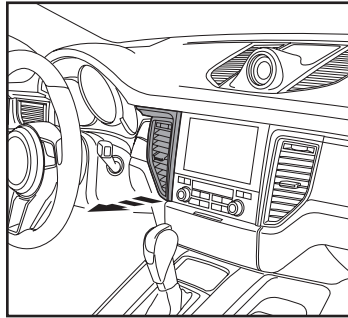
**Attention!** Let the vehicle sit with the key out of the ignition for a few minutes before removing the factory radio. When testing the aftermarket equipment, ensure that all factory equipment is connected before cycling the key to ignition.

## DASH DISASSEMBLY

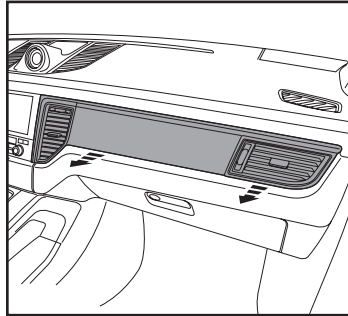
1. Unclip and remove the a/c vent panel to the left of the radio. (Figure A)

**Tip!** A long-hook too can be inserted into the vent to grab it from the back.

2. Unclip and remove the passenger-side dashboard trim panel. (Figure B)
3. Remove (4) T-27 Torx screws securing the radio. (Figure C)



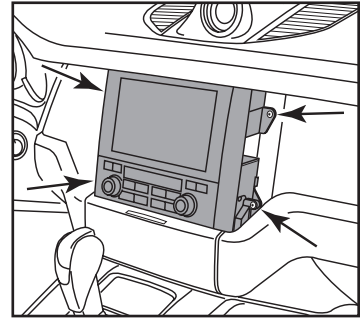
(Figure A)



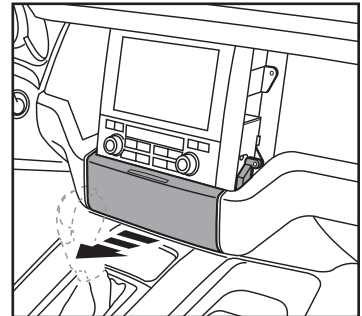
(Figure B)

4. Carefully remove the hinged door covering the DVD drive. (Figure D)
5. With the parking brake on, put the gear shifter in reverse to allow the radio to be removed in the following step.
6. Unclip and slide the radio assembly out, then unplug and remove.

*Continue to Kit Assembly*



(Figure C)

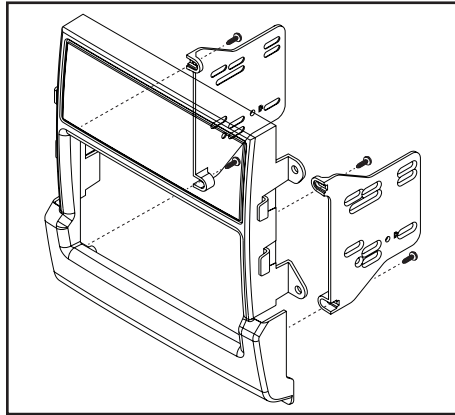


(Figure D)

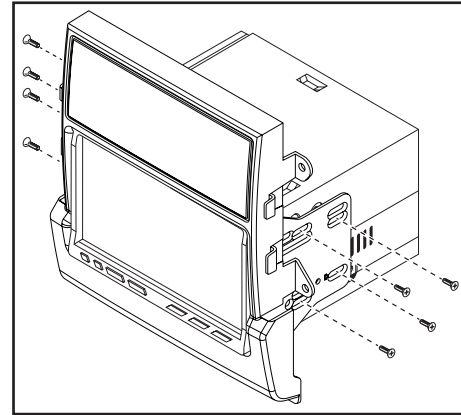
## KIT ASSEMBLY

1. Attach the **radio brackets** to the **radio trim panel** using (4) #8 x 3/8" Phillips screws supplied. (Figure A)
2. Slide the radio into the completed assembly, and then secure it to the assembly using screws supplied with the radio.

*Continue to Axxess  
Interface Installation*



(Figure A)



(Figure B)

# AXXESS INTERFACE INSTALLATION

## INTERFACE FEATURES

---

- Provides accessory power
- Provides illumination, parking brake, reverse, and speed sense outputs
- Retains audio controls on the steering wheel
- Retains parking sensor audio
- Retains parking sensor graphics †
- Retains the factory backup camera
- Retains the factory AUX-IN jack and USB port
- Retains balance
- Micro-B USB updatable

† Through the backup camera input from the aftermarket radio

## INTERFACE COMPONENTS

---

- 9613 interface
- SWC interface
- 9613 harness (labeled LEAD 1458)
- SWC harness (labeled LEAD 1214)
- USB harness
- 3.5mm adapter
- Antenna adapter

## TABLE OF CONTENTS

---

Connections.....	5
Installation .....	6
Programming.....	6

## TOOLS REQUIRED

---

- Crimping tool and connectors, or solder gun, solder, and heat shrink • Tape
- Wire cutter • Zip ties

## CONNECTIONS

### From the 9613 harness to the aftermarket radio, connect the:

- **Black** wire to the ground wire.
- **Yellow** wire to the battery wire
- **Red** wire to the accessory wire.  
**Note:** There will also be a **Red** wire on the SWC harness to connect as well.
- **Blue** wire to the power antenna wire.
- **Blue/White** wire to the amp turn on wire.
- **Orange** wire to the illumination wire. †
- **Brown** wire to the mute wire. †
- **Blue/Pink** wire to the speed sense wire.
- **Green/Purple** wire to the reverse wire. †
- **Light Green** wire to the parking brake wire. †
- **Yellow** RCA jack to the Yellow RCA jack from the SWC Harness labeled “To Reverse Camera”. ‡
- **Red & White** RCA jacks labeled “FRONT LEFT” and “FRONT RIGHT” to the full range front amplifier output jacks.
- **Red & White** RCA jacks labeled “AUX Left” and “AUX Right” to the audio AUX-IN jacks. †
- Disregard the following (8) wires:  
**Gray, Gray/Black, Green, Green/Black, Purple, Purple/Black, White, White/Black**

† If applicable

‡ Mandatory connection to retain parking sensor graphics

### From the SWC harness to the aftermarket radio:

- Parrot: Connect the AX-SWC-PARROT (sold separately) to the 3.5mm jack, then to the radio.
- **For the radios listed below:** Connect the 3.5mm adapter to the 3.5mm jack.
  - **Eclipse:** Brown - Brown/White/Brown/White - Brown
  - **Kenwood/JVC (with SWC wire):** Blue/Yellow - Brown
  - **Metra OE:** Key 1 (Gray) - Brown
  - **Universal “2 or 3 wire” radio:** Key-A or SWC-1 - Brown/Key-B or SWC-2 - Brown/White  
**Note:** After programming, assign SWC buttons within menu.
  - **XITE:** SWC-2 - Brown
- **For all other radios:** Connect the 3.5mm jack to the radio.
- Connect the **Red** wire to accessory power.
- Connect the **Yellow** RCA jack labeled “To Reverse Camera Input (Radio)”, to the backup camera input. ‡

‡ Mandatory connection to retain parking sensor graphics

## INSTALLATION

**With the ignition switch in the off position, connect the:**

1. **SWC harness** to the **SWC interface**, then to the **9613 interface**.
2. **9613 harness** to the **9613 interface**, then to the wiring harness in the vehicle.
3. **USB harness** to the radio, then to the wiring harness in the vehicle.
4. Locate the factory antenna connector in the dash and complete all necessary connections to the radio. Use the **antenna adapter** provided to adapt the factory antenna to the aftermarket radio.

## PROGRAMMING

1. Open the driver's door and keep open during the programming process.
2. Press and hold the **Volume Up** button on the steering wheel. For models with a scroll wheel, scroll up quickly.
3. Cycle the ignition switch on.
4. The LED in the **SWC interface** will quickly flash **Green** and **Red**. **(a)**
5. The LED will go out, then flash **Green** while the interface programs itself to the vehicle. **(b)**
6. The LED will go out again, then flash **Red** up to 22 times while the interface programs itself to the radio. **(c)**
7. Once programmed, the LED will go out briefly, then turn solid **Red**. **(d)**
8. Release from holding the **Volume Up** button. Test all functions of the installation for proper operation. **(e)**
  - (a)** If the LED doesn't flash, press the reset button for 3 seconds to reset the interface.
  - (b)** There will be a series of 7 **Green** flashes, some short, some long. The long flashes represent the wires connected to the interface. The 3rd, 4th, 5th, and 6th flashes should be longer.
  - (c)** The number of flashes identify the radio installed. Refer to the **AXSWC Radio Troubleshooting** document available from [axessinterfaces.com](http://axessinterfaces.com) for more information.
  - (d)** If the LED didn't turn solid **Red**, press the reset button for 3 seconds to start the process over again, then resume from step 3.
  - (e)** Refer to the AXSWC documents available from [axessinterfaces.com](http://axessinterfaces.com) for customizing the SWC buttons.

*Continue to Final Assembly*

## FINAL ASSEMBLY

1. Secure the radio assembly into the dash using the factory hardware and reassemble the dash in reverse order of disassembly.



**95-9613B**  
INSTALLATION INSTRUCTIONS



Having difficulties? We're here to help.



Contact our Tech Support line at:

**386-257-1187**



Or via email at:

[techsupport@metra-autosound.com](mailto:techsupport@metra-autosound.com)

**Tech Support Hours (Eastern Standard Time)**

Monday - Friday: 9:00 AM - 7:00 PM

Saturday: 10:00 AM - 7:00 PM

Sunday: 10:00 AM - 4:00 PM



**KNOWLEDGE IS POWER**

Enhance your installation and fabrication skills by enrolling in the most recognized and respected mobile electronics school in our industry. Log onto [www.installerinstitute.com](http://www.installerinstitute.com) or call 800-354-6782 for more information and take steps toward a better tomorrow.



**Metra recommends MECP  
certified technicians**