



Chevrolet Camaro 2010-2015

KIT FEATURES

- DIN radio provision with pocket
- ISO DIN radio provision with pocket
- ISO DDIN radio provision
- Painted silver to match the factory finish

KIT COMPONENTS

- A) Radio trim panel with climate controls
- B) Radio housing
- C) Pocket
- D) ISO DDIN brackets
- E) ISO DDIN trim plate
- F) ISO trim plate
- G) ISO brackets
- H) Axxess interface and harness (not shown)

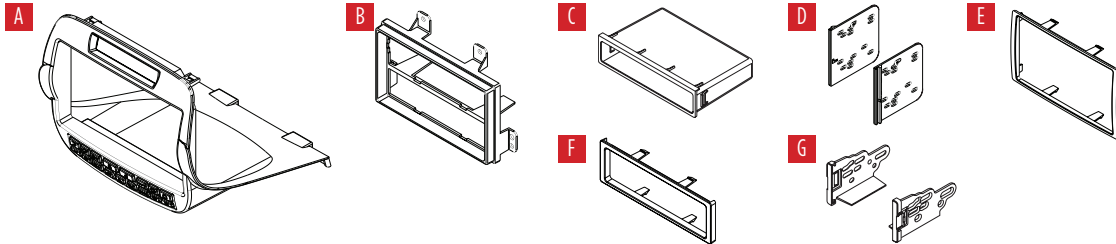


TABLE OF CONTENTS

Dash Disassembly.....	2-3
Kit Preparation.....	3
Kit Assembly	
–DIN radio provision with pocket.....	4
–ISO DIN radio provision with pocket.....	4
–ISO DDIN radio provision.....	5
Axxess Interface Installation.....	6

WIRING & ANTENNA CONNECTIONS

- Wiring Harness: Axxess interface included
- Antenna Adapter: 40-EU55 (sold sep.)
- Steering wheel control interface: ASWC-1 (sold sep.)
- Backup camera retention: BACKUPCAM-2 (sold sep.)

TOOLS REQUIRED

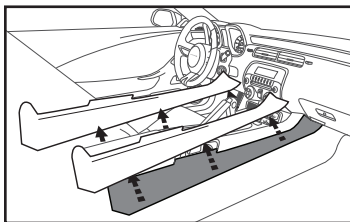
- Panel removal tool
- Phillips screwdriver
- 9/32" socket wrench
- T-20 Torx screwdriver
- Cutting tool

CAUTION! All accessories, switches, climate controls panels, and especially air bag indicator lights must be connected before cycling the ignition. Also, do not remove the factory radio with the key in the on position, or while the vehicle is running.

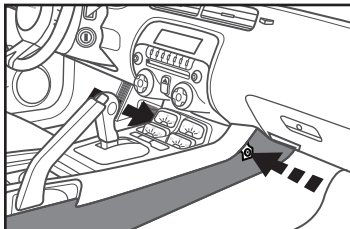
DASH DISASSEMBLY

For vehicles without UMQ gauge panel, unsnap and remove shifter trim panel and skip to step 8.

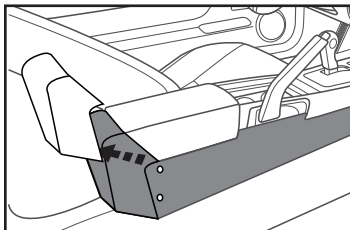
1. Unclip and remove the (2) side trim panels running the length of the center console. (Figure A)
2. Remove (1) Phillips screw from each side of the front of the center console. (Figure B)
3. Remove (2) Phillips screws per side from the cover on the back of the center console then unclip and remove the cover. (Figure C)



(Figure A)



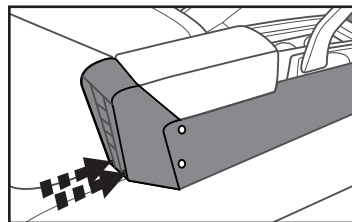
(Figure B)



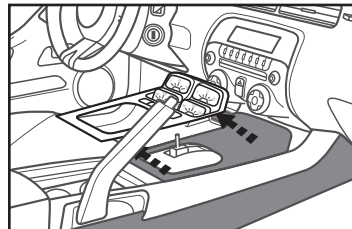
(Figure C)

4. Remove (2) Phillips screws exposed under the cover on the back of console. (Figure D)
5. Remove gauge cluster/trim panel around shifter. (Figure E)
6. **Auto transmission vehicles only:** Remove one T-20 Torx screw from the front of the shifter, and then remove the knob and shifter surround panel. (Figure F)

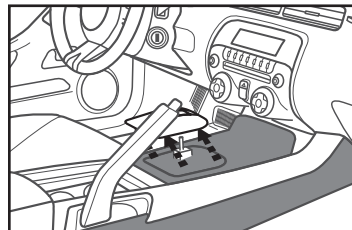
Continue onto next page



(Figure D)



(Figure E)

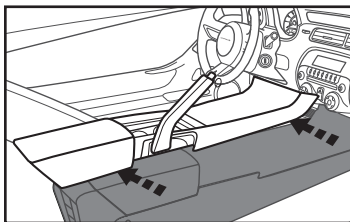


(Figure F)

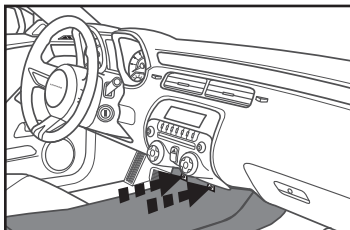
DASH DISASSEMBLY

7. Remove (4) Phillips screws now exposed, and then lift up on the rear of the center console. Slide toward the back of the vehicle then unclip and remove the entire center console. (Figure G)
8. Remove (2) 9/32" screws securing the climate control/radio trim panel and remove. (Figure H)
9. Remove (4) 9/32" screws securing the radio chassis, and then remove. (Figure I)

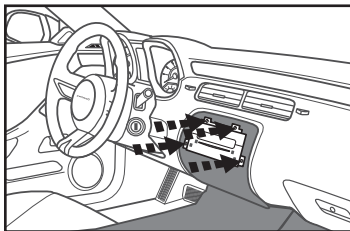
Continue to Kit Preparation



(Figure G)



(Figure H)



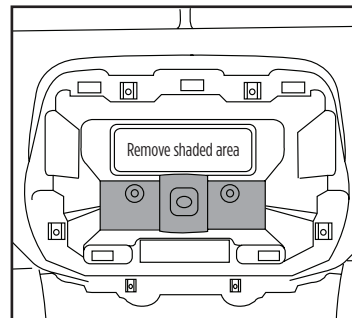
(Figure I)

KIT PREPARATION

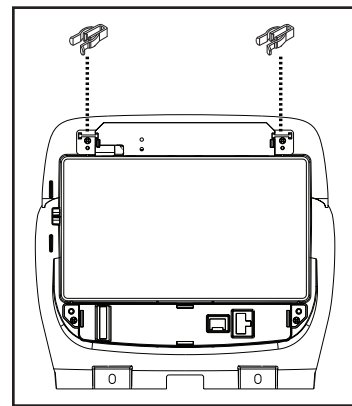
1. Cut and remove the sub dash radio support to make room for the interface and harnesses. (Figure A)
2. Remove the panel clips from the factory radio, then attach them to the 99-3010S radio trim panel with climate controls. (Figure B)

Note: Panel clips have been provided in case the factory clips have been damaged or missing.

Continue to Kit Assembly



(Figure A)



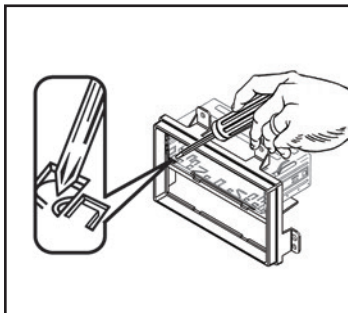
(Figure B)

KIT ASSEMBLY

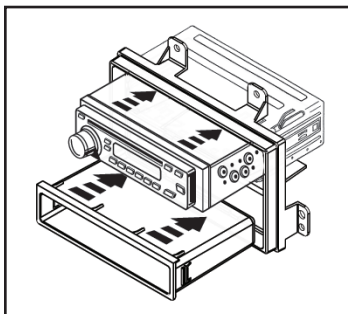
DIN radio provision with pocket

1. Remove the metal DIN sleeve from the aftermarket radio.
2. Slide the sleeve into the top opening of the *radio housing* and secure by bending the metal locking tabs down. (Figure A)
3. Snap the *pocket* into the bottom opening of the *radio housing*. (Figure B)
4. Slide the radio back into the sleeve until it clicks in. (Figure B)

Continue to *Axxess Interface Installation*.



(Figure A)

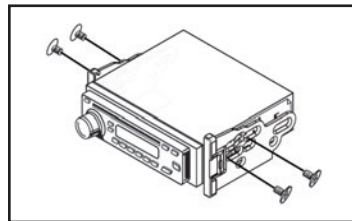


(Figure B)

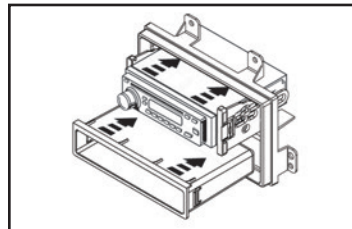
ISO DIN radio provision with pocket

1. Remove the metal DIN sleeve and trim ring from the aftermarket radio.
2. Secure the *ISO brackets* to the radio using the screws supplied with the radio. (Figure A)
3. Snap the *pocket* into the bottom opening of the *radio housing*. (Figure B)
4. Slide the radio into the top opening of the *radio housing* until it clicks in. (Figure C)
5. Snap the *ISO trim plate* into the *radio housing*. (Figure C)

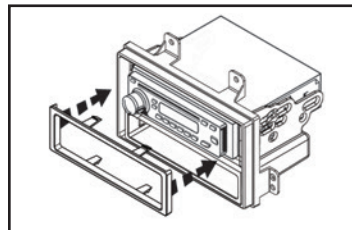
Continue to *Axxess Interface Installation*.



(Figure A)



(Figure B)



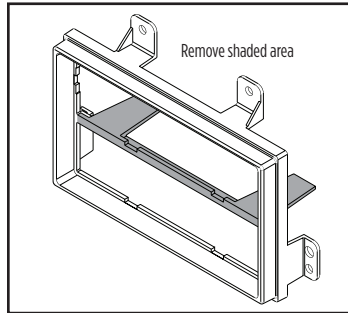
(Figure C)

KIT ASSEMBLY

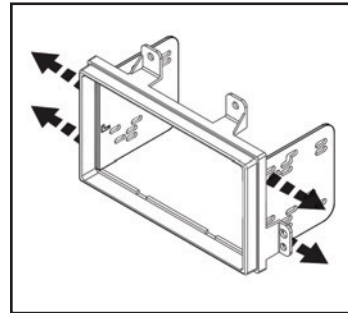
ISO DDIN radio provision

1. Cut and remove the center support.
(Figure A)
2. Snap the ISO DDIN brackets to the inside edge of the radio housing.
(Figure B)
3. Slide the radio into the bracket/radio housing assembly, then secure it using the screws supplied with the radio.
(Figure C)
4. Snap the ISO DDIN trim plate into the radio housing. (Figure C)

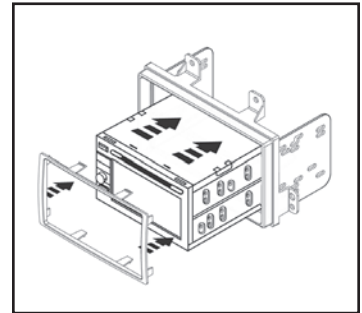
*Continue to Axxess
Interface Installation.*



(Figure A)



(Figure B)



(Figure C)

AXXESS INTERFACE INSTALLATION

INTERFACE FEATURES

- Provides accessory power (12-volt 10-amp)
- Maintains the Retained Accessory Power (R.A.P.) feature
- Provides NAV outputs (parking brake, reverse, speed sense)
- Retains warning chimes
- Retains OnStar/OE Bluetooth
- Adjustable volume for chimes and OnStar
- Retains the factory AUX-IN jack
- Pre-wired ASWC-1 harness (ASWC-1 sold separately)
- Can be used in non-amplified, or amplified models
- Retains balance and fade
- Micro “B” USB updatable

INTERFACE COMPONENTS

- Axxess interface
- 3010 harness
- Climate control harness
- 16-pin harness with stripped leads
- 4-pin to 4-pin resistor pad harness

TABLE OF CONTENTS

Connections to be made	7-10
For models without an amplifier	7-8
For models with an amplifier	8-9
Installing the Axxess interface and climate controls.....	10
Programming the Axxess interface and climate controls.....	10
Adjusting the Axxess interface.....	11
Final assembly	11
Configure backlight color	11
Troubleshooting.....	11

TOOLS REQUIRED

- Crimping tool and connectors, or solder gun, solder, and heat shrink
- Small flat blade screwdriver • Tape • Wire cutter • Zip ties

CONNECTIONS TO BE MADE

Attention! This interface will work with models that are either non-amplified or amplified. Please follow the instructions carefully for your model vehicle. Failure to do so will result in either no sound, or low sound. If you are unsure if your vehicle is factory amplified or not, please contact your local dealership.

For models *without* an amplifier:

From the 16-pin harness with stripped leads to the aftermarket radio:

- Connect the **Red** wire to the accessory wire.

Note: If installing either an ASWC-1 or AX-LCD (both sold separately), connect the (2) **Red** wires from the 3010 harness as well.

- If the aftermarket radio has an illumination wire, connect the **Orange/White** wire to it.
- If the aftermarket radio has a mute wire, connect the **Brown** wire to it. If the mute wire is not connected, the radio will turn off when OnStar is activated.
- Connect the **Gray** wire to the right front positive speaker output.
- Connect the **Gray/Black** wire to the right front negative speaker output.
- Connect the **White** wire to the left front positive speaker output.
- Connect the **White/Black** wire to the left front negative speaker output.

The following (3) wires are only for multimedia/navigation radios that require these wires.

- Connect the **Blue/Pink** wire to the VSS/speed sense wire.

- Connect the **Green/Purple** wire to the reverse wire.
- Connect the **Light Green** wire to the parking brake wire.
- Tape off and disregard the following (5) wires, they will not be used in this application: **Blue/White, Purple, Purple/Black, Green, Green/Black**

From the 3010 harness to the aftermarket radio:

- Connect the **Black** wire to the ground wire.
- Connect the **Yellow** wire to the battery wire.
- If installing either an ASWC-1 or AX-LCD (both sold separately), connect the (2) **Red** wires to accessory power.
- Cut off and remove the resistors from the **Green, Green/Black, Purple, and Purple/Black** wires below the heat shrink.
- Connect the **Green** wire to the left rear positive speaker output.
- Connect the **Green/Black** wire to the left rear negative speaker output.
- Connect the **Purple** wire to the right rear positive speaker output.
- Connect the **Purple/Black** wire to the right rear negative speaker output.
- Ensure the (2) 4-pin Molex connectors are connected together.

Note: The 4-pin to 4-pin resistor pad harness *will not* be used in this application.

Continued on the next page

CONNECTIONS TO BE MADE *(CONT.)*

- The **Black/Yellow** wire is used for OnStar level adjustment for models that do not come equipped with steering wheel controls. Refer to the OnStar level Adjustment section for further instructions.

Attention! If this wire is not connected the climate control will fail to function.

- Connect the **Pink** wire with a red bullet connector to the **Pink** wire from the *climate control harness*.
- If retaining the factory AUX-IN jack is desired, connect the **Red** and **White** RCA jacks to the audio AUX-IN jacks from the aftermarket radio.

Note:

- a) The jack can only be used if it is a single jack.
- b) If the jack has a USB port as well, neither can be retained.

Note: The relay attached to the 3010 harness is only for audible turn signal clicks. No extra steps are required to retain this feature, so leave the relay as-is.

12-pin pre-wired ASWC-1 harness:

This harness is to be used along with the optional ASWC-1 (sold separately) to retain steering wheel audio controls. If the ASWC-1 is not being used, disregard this harness. If the ASWC-1 will be used, please refer to the ASWC-1 instructions for radio connections and programming. Disregard the harness that comes with the ASWC-1.

DIN jack:

The DIN jack is to be used with the optional AX-LCD (sold separately) to retain the personalization menu.

For models *with* an amplifier:

From the 16-pin harness with stripped leads to the aftermarket radio:

- Connect the **Red** wire to the accessory wire.
Note: If installing either an ASWC-1 or AX-LCD (both sold separately), connect the (2) **Red** wires from the 3010 harness as well.
- Connect the **Blue/White** wire to the amp turn on wire. This wire must be connected to hear sound from the factory amplifier.
- If the aftermarket radio has an illumination wire, connect the **Orange/White** wire to it.
- If the aftermarket radio has a mute wire, connect the **Brown** wire to it. If the mute wire is not connected, the radio will turn off when OnStar is activated.
- Connect the **Gray** wire to the right front positive speaker output.
- Connect the **Gray/Black** wire to the right front negative speaker output.
- Connect the **White** wire to the left front positive speaker output.
- Connect the **White/Black** wire to the left front negative speaker output.

The following (3) wires are only for multimedia/navigation radios that require these wires.

- Connect the **Blue/Pink** wire to the VSS/speed sense wire.
- Connect the **Green/Purple** wire to the reverse wire.
- Connect the **Light Green** wire to the parking brake wire

Continued on the next page

CONNECTIONS TO BE MADE (CONT.)

- Tape off and disregard the following (4) wires, they will not be used in this application:
Green, Green/Black, Purple, Purple/Black

From the 3010 harness to the aftermarket radio:

- Connect the **Black** wire to the ground wire.
- Connect the **Yellow** wire to the battery wire.
- If installing either an ASWC-1 or AX-LCD (both sold separately), connect the (2) **Red** wires to accessory power.
- Connect the **Green** wire to the left rear positive speaker output.
- Connect the **Green/Black** wire to the left rear negative speaker output.
- Connect the **Purple** wire to the right rear positive speaker output.
- Connect the **Purple/Black** wire to the right rear negative speaker output.
- Disconnect the (2) 4-pin Molex connectors and then attach the *4-pin to 4-pin resistor pad harness*.
- The **Black/Yellow** wire is used for OnStar level adjustment for models that do not come equipped with steering wheel controls. Refer to the OnStar level Adjustment section for further instructions.

Attention! If this wire is not connected the climate control will fail to function.

- Connect the **Pink** wire with a red bullet connector to the **Pink** wire from the *climate control harness*.

- If retaining the factory AUX-IN jack is desired, connect the **Red** and **White** RCA jacks to the audio AUX-IN jacks from the aftermarket radio.

Note:

- a) The jack can only be used if it is a single jack.
- b) If the jack has a USB port as well, neither can be retained.

Note: The relay attached to the 3010 harness is only for audible turn signal clicks. No extra steps are required to retain this feature, so leave the relay as-is.

12-pin pre-wired ASWC-1 harness:

This harness is to be used along with the optional ASWC-1 (sold separately) to retain steering wheel audio controls. If the ASWC-1 is not being used, disregard this harness. If the ASWC-1 will be used, please refer to the ASWC-1 instructions for radio connections and programming. Disregard the harness that comes with the ASWC-1.

DIN jack:

The DIN jack is to be used with the optional AX-LCD (sold separately) to retain the personalization menu.

INSTALLING THE INTERFACE

With the key in the off position:

1. Connect the 16-pin harness with stripped leads, and the 3010 harness, into the Axxess interface.
2. Connect the climate control harness to the radio trim panel with climate controls, then to the wiring harness in the vehicle.
3. Locate the factory antenna connector in the dash and complete all necessary connections to the radio. Metra recommends using the proper antenna adapter from Metra.
4. If an ASWC-1 (sold separately) will be used, do not connect it until the 99-3010S is programmed and fully functional.

Attention! Do not connect the 3010 harness to the wiring harness in the vehicle just yet.

PROGRAMMING THE INTERFACE

For the steps below, the L.E.D. located inside the interface can only be seen while active. The interface does not need to be opened to see the L.E.D.

1. Start the vehicle.
2. Connect the 3010 harness to the wiring harness in the vehicle. The L.E.D. will initially be solid **Green** to indicate the interface is powered.
3. After a few seconds the L.E.D. will turn solid **Red** while the interface automatically programs to the vehicle. The radio will shut off at this point. This process should take 5 to 30 seconds.
4. Once the interface has been programmed the L.E.D. will turn solid **Green**, then the radio will come back on, indicating programming was successful.

Programming the climate display:

If the interface ever loses power, the following steps will need to be performed again. Please ensure that the owner of the vehicle knows this.

5. Ensure that the vehicle is still running.
6. Adjust the fan speed on the climate control all the way up, then all the way down.
7. Test all functions of the installation for proper operation, before reassembling the dash.
8. If the interface fails to function, refer to “Troubleshooting”, “Resetting the Axxess interface”.

Note: The L.E.D. will turn on solid **Green** for a moment, and then turn off under normal operation after the key has been cycled.

ADJUSTING THE INTERFACE

Chime level adjustment:

- With the vehicle on, turn it off and leave the keys in ignition. Open the driver's door; chimes will be heard.
- Wait 10 seconds, and then with a small flat-blade screwdriver, turn the potentiometer clockwise to raise the chime level; counterclockwise to lower the chime level.
- When the chime is at a desired level, remove the keys from the ignition. This will lock the chime volume at its current level.

OnStar level adjustment:

- Press the OnStar button to activate it.
- While OnStar is speaking, press the VOLUME-UP or VOLUME-DOWN button on the steering wheel to raise or lower the OnStar level.
- If the vehicle doesn't come equipped with steering wheel controls, locate the **Black/Yellow** wire on the 3010 harness.
- While OnStar is speaking, tap the **Black/Yellow** wire to ground. Once the OnStar level is set, it will stay at that level until the **Black/Yellow** wire is tapped to ground again.

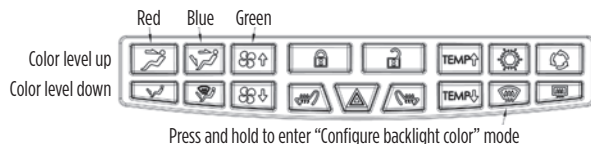
TROUBLESHOOTING

Resetting the Axxess interface

1. The **Blue** reset button is located inside the Axxess interface, between the two connectors. The button is accessible outside the Axxess interface, no need to open the Axxess interface.
2. Press and hold the reset button for two seconds, then let go to reset the Axxess interface.
3. Refer to "Programming the Axxess Interface" from this point.

CONFIGURE BACKLIGHT COLOR

1. Press and hold the front defrost button for 5 seconds to enter the "Configure Backlight Color" mode.
Note: The backlight will flash while in this mode.
2. Create a backlight color:
 - Press the "Face" button to increase Red.
 - Press the "Foot" button to decrease Red.
 - Press the "Face/Foot" button to increase Green.
 - Press the "Def/Foot" button to decrease Green.
 - Press the "Fan-Up" button to increase Blue.
 - Press the "Fan-Down" button to decrease Blue.
3. After the desired color has been chosen, wait a few seconds for the backlight to stop flashing. This will lock in the new settings.



FINAL ASSEMBLY

1. Secure the radio assembly to the dash using the factory screws.
2. Reassemble the dash in reverse order of disassembly using the 99-3010S *radio trim panel with climate controls* to complete the installation.



99-3010S

INSTALLATION INSTRUCTIONS



IMPORTANT

If you are having difficulties with the installation of this product, please call our Tech Support line at 1-800-253-TECH. Before doing so, look over the instructions a second time, and make sure the installation was performed exactly as the instructions are stated. Please have the vehicle apart and ready to perform troubleshooting steps before calling.



KNOWLEDGE IS POWER

Enhance your installation and fabrication skills by enrolling in the most recognized and respected mobile electronics school in our industry. Log onto www.installerinstitute.com or call 800-354-6782 for more information and take steps toward a better tomorrow.



Metra recommends MECP certified technicians