



INSTALLATION INSTRUCTIONS FOR PART 99-3100

APPLICATIONS

Saturn 1995-1999 99-3100/AW-3105A

KIT FEATURES

- DIN head unit provision

KIT COMPONENTS

- A) Radio housing • B) (2) #10 Phillips screws

A



B



WIRING & ANTENNA CONNECTIONS (sold separately)

- Wiring Harness: • 70-1858 - GM harness 1987-2005
- Antenna Adapter: • 40-GM10 - GM antenna adapter 1983-2013

TOOLS REQUIRED

- Phillips screwdriver • Socket wrench • Adjustable wrench

Table of Contents

Dash Disassembly

- Saturn 1995-1999, All Vehicles 2

Kit Assembly

- DIN head unit provision 3

CAUTION: Metra recommends disconnecting the negative battery terminal before beginning any installation. All accessories, switches, and especially air bag indicator lights must be plugged in before reconnecting the battery or cycling the ignition.

NOTE: Refer to the instructions included with the aftermarket radio.

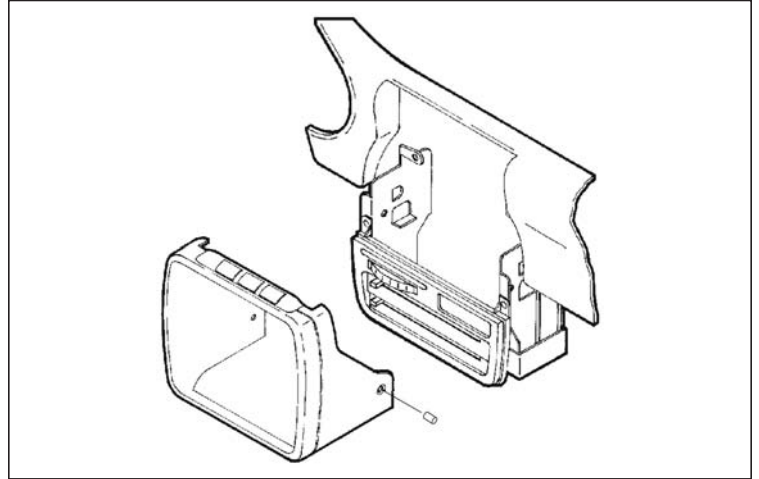
REV. 3/20/2013 INST99-3100



99-3100

Dash Disassembly

1. Remove (2) pop-clips from the sides of the radio trim bezel.
2. Unclip the radio trim bezel, disconnect the switch wiring and remove the bezel.
3. Remove (2) 7mm hex-head screw securing the top of the factory head unit and disconnect the wiring.



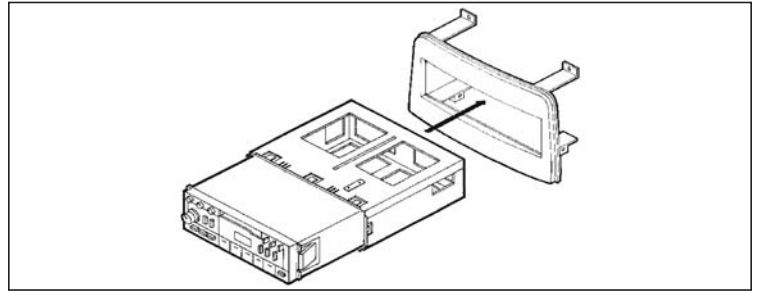


99-3100

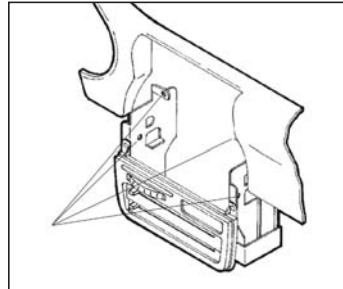
Kit Assembly

DIN head unit provision

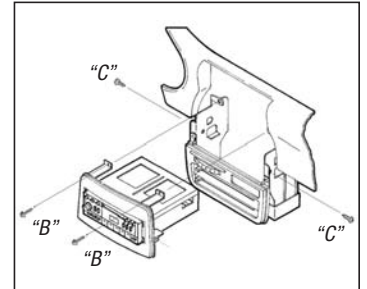
1. Slide the DIN cage into the kit and secure by bending the metal locking tabs down.
2. Slide the aftermarket head unit into the cage until secure. (Figure A)
3. Locate the factory wiring harness in the dash. Metra recommends using the proper mating adapter from Metra or AXCESS.
4. Locate the (4) mounting locations in the sub-dash. (Figure B)
5. Reconnect the battery terminal and test the unit for proper operation.
6. Mount the head unit/kit assembly to the sub-dash with (2) 7mm hex-head screws previously removed and (2) #10 Phillips screws supplied. (Figure C)
7. Reassemble dash in reverse order of disassembly.



(Figure A)



(Figure B)



(Figure C)



INSTALLATION INSTRUCTIONS FOR PART 99-3100

REV. 3/20/2013 INST99-3100



KNOWLEDGE IS POWER

Enhance your installation and fabrication skills by enrolling in the most recognized and respected mobile electronics school in our industry. Log onto www.installerinstitute.com or call 800-354-6782 for more information and take steps toward a better tomorrow.



**Metra recommends MECP
certified technicians**