



INSTALLATION INSTRUCTIONS FOR PART 99-5000

APPLICATIONS

LINCOLN LS 2000-2006 FORD Thunderbird 2002-2005

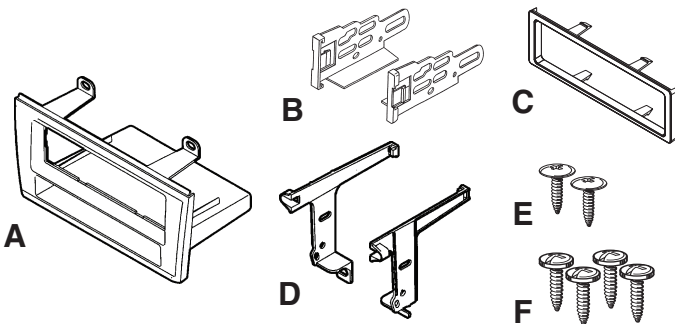
99-5000

KIT FEATURES

- DIN/ISO Mount Radio Provisions
- Pocket

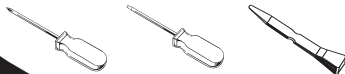
KIT COMPONENTS

- A) Radio Housing • B) ISO Brackets • C) Trimplate • D) Mounting Brackets
- E) (2) #8 X 3/8" Phillips Truss Head Screws • F) (4) #8 X 3/8" Phillips Pan Head Screws



TOOLS REQUIRED:

- Phillips Screwdriver
- Small Flat Blade Screwdriver/ Panel Removal Tool



1-800-221-0932



www.metraonline.com

© COPYRIGHT 2001-2008 METRA ELECTRONICS CORPORATION



TABLE OF CONTENTS

Dash Disassembly

- LINCOLN LS 2000-2006/LINCOLN Thunderbird 2002-2005 1,2

Kit Preparation 3

Kit Assembly

- DIN/ISO Mount Radio Provision 4

Final Assembly 5

***Note:**

Refer also to the instructions included with the aftermarket radio.



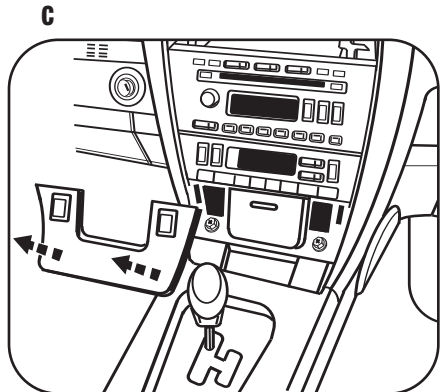
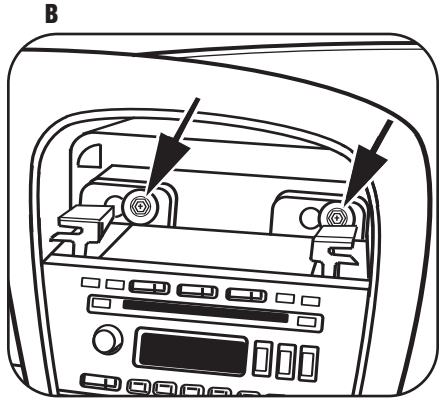
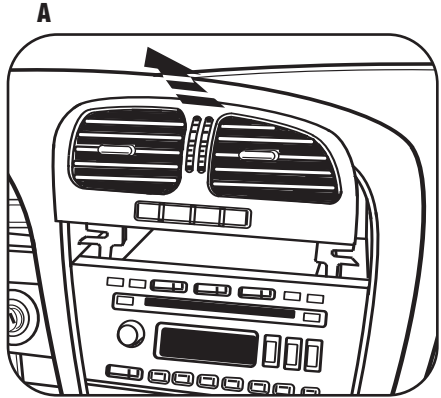
KNOWLEDGE IS POWER

Enhance your installation and fabrication skills by enrolling in the most recognized and respected mobile electronics school in our industry. Log onto www.installerinstitute.com or call 800-354-6782 for more information and take steps toward a better tomorrow.

LINCOLN LS 2000-2006
FORD THUNDERBIRD 2002-2005

- 1** Disconnect the negative battery terminal to prevent an accidental short circuit.
- 2** Unclip and remove the A/C vent panel. (Figure A)
- 3** Remove (2) 10 MM bolts exposed behind vent panel from top of radio brackets. (Figure B)
- 4** Unclip and remove the panel surrounding the ashtray. (Figure C)

Continued on page 2.

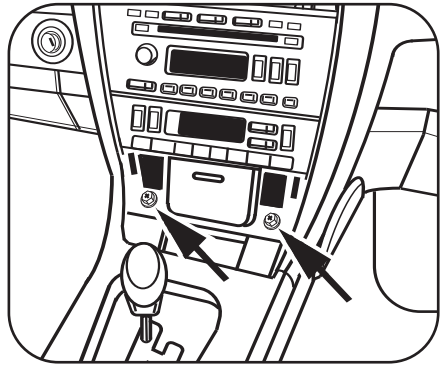


**LINCOLN LS 2000-2006
FORD THUNDERBIRD 2002-2005**

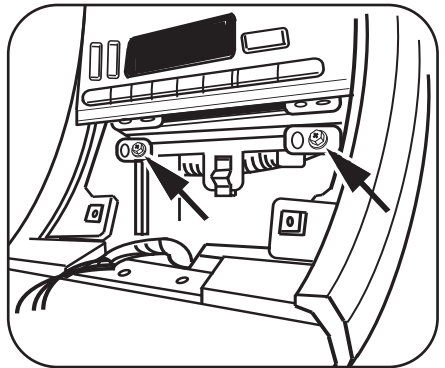
- 5 Remove (2) Phillips screws exposed behind panel then remove the ashtray assembly. (Figure D)
- 6 Remove (2) 10 MM bolts from inside ashtray cavity from bottom of radio brackets. (Figure E)
- 7 Unplug and remove radio/climate control assembly from dash then remove (4) Phillips screws securing the climate controls to the assembly. (Retain the (4) Phillips screws and climate controls for re-installation) (Figure F)

Continue to kit preparation.

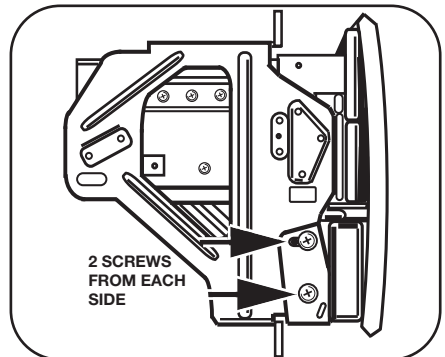
D



E



F

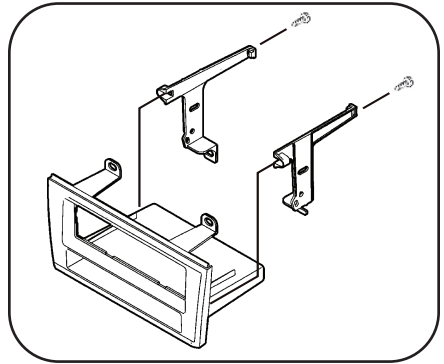
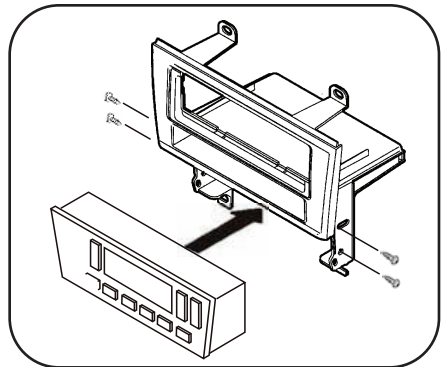


**LINCOLN LS 2000-2006
FORD THUNDERBIRD 2002-2005**

1 Secure the Mounting Brackets to the Radio Housing with (2) #8 x 3/8" Phillips Truss-head Screws supplied. (Figure A)

2 Slide the climate control pod into the Radio Housing and secure with (4) #8 x 3/8" Phillips Pan-head Screws supplied. (Figure B)

Kit assembly continued on page 4.

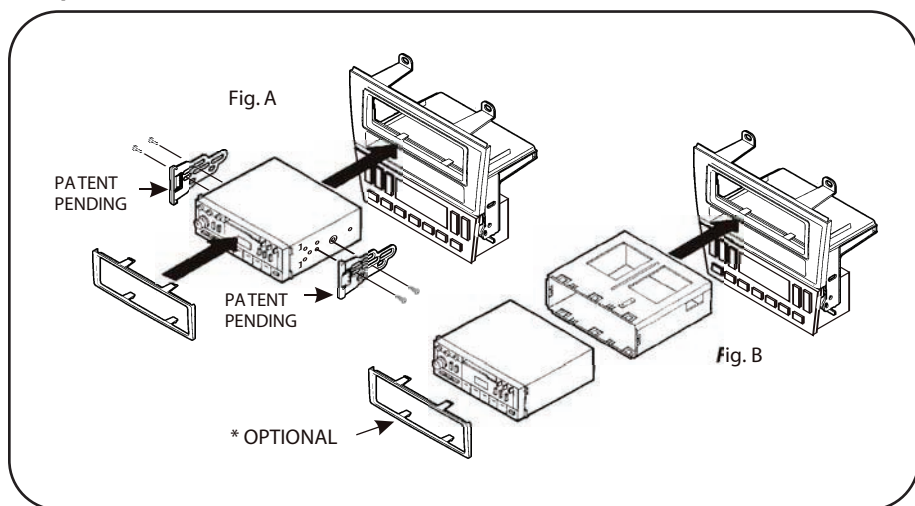
A**B**

DIN/ISO MOUNT RADIO PROVISION

**Note: Refer also to the instructions included with the aftermarket radio.*

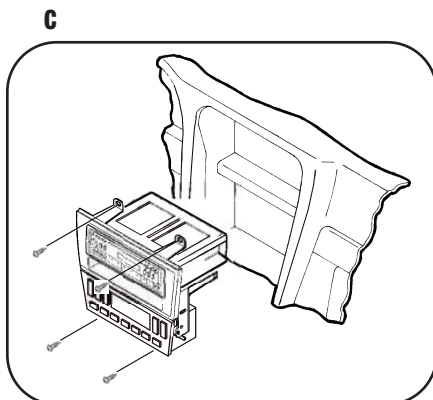
- 1 ISO HEAD UNITS:** Mount ISO Brackets to the head unit with the screws supplied with the unit. Slide the head unit into the radio opening until the side clips engage. Snap the Trimplate into the Radio Housing. (Figure A)
- 2 DIN HEAD UNITS:** Slide the DIN cage into the Housing and secure by bending the metal locking tabs down. Slide the aftermarket head unit into the cage and secure. Snap the *Trimplate into the Radio Housing. (Figure B)

A/B

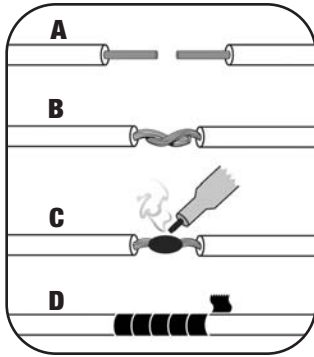


- 3** Re-connect the battery terminal and test the unit for proper operation. Mount the head unit/climate control pod assembly to the sub-dash with (4) Phillips screws previously removed in step #1. Replace the a/c vent panel. (Figure C)

Continue to final assembly.



FINAL ASSEMBLY



- (A) Strip wire ends back 1/2"**
- (B) Twist ends together**
- (C) Solder**
- (D) Tape**

- 1** Locate the factory wiring harness in the dash. Metra recommends using the proper mating adapter and making connections as shown. (Isolate and individually tape off the ends of any unused wires to prevent electrical short circuit.)
- 2** Re-connect the negative battery terminal and test the unit for proper operation.
- 3** Reassemble radio and dash assemblies in reverse order of disassembly.

FINAL WIRING CONNECTIONS

Make wiring connections using the EIA color code chart shown below and the instructions included with the head unit. Metra recommends making connections as shown below; Strip, Splice, Solder, Tape. Isolate and individually tape off ends of any unused wires to prevent electrical short circuit.

METRA / EIA WIRING CODE

12V Ignition / Acc.	Red	Right Front (+)	Gray
12V Batt / Memory.	Yellow	Right Front (-).	Gray/ Black
Ground.	Black*	Left Front (+)	White
Power Antenna.	Blue	Left Front (-).	White / Black
Amp Turn-On	Blue / White	Right Rear (+)	Violet
Amp Ground.	Black / White	Right Rear (-).	Violet / Black
Illumination	Orange	Left Rear (+)	Green
Dimmer	Orange / White	Left Rear (-).	Green / Black

***NOTE:** When a Black wire is not present, ground radio to vehicle chassis.
All colors may not be present on all leads due to manufacturer's specifications.

Enjoy your newly installed radio!

99-5000 INSTRUCTIONS



1-800-221-0932



www.metraonline.com

REV. 12/16/08 © COPYRIGHT 2001-2008 METRA ELECTRONICS CORPORATION INST99-5000