



## Ford, Mazda Multi Kit 1995-2011

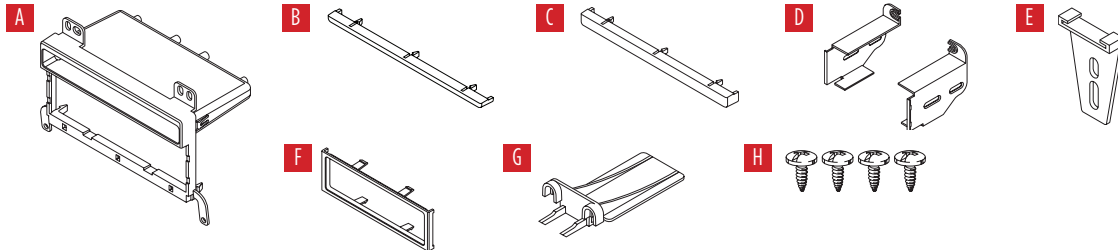
Visit [MetraOnline.com](http://MetraOnline.com) for more detailed information about the product and up-to-date vehicle specific applications

### KIT FEATURES

- DIN radio provision with pocket
- ISO DIN radio provision with pocket

### KIT COMPONENTS

- A) Radio housing • B) Radio housing trim piece "A" • C) Radio housing trim piece "B" • D) ISO Brackets • E) Rear support • F) ISO Trim plate
- G) Mounting bracket • H) (4) #8 x 3/8" Phillips screws



### APPLICATIONS

See page 2

### TABLE OF CONTENTS

See page 2

### WIRING & ANTENNA CONNECTIONS

Sold separately

### TOOLS REQUIRED

- Phillips screwdriver • Panel removal tool
- 86-5618 Ford radio removal keys

**Attention!** With the key out of the ignition, disconnect the negative battery terminal before installing this product. Ensure that all installation connections are secure before cycling the ignition to test this product.

## APPLICATIONS

### Ford

Crown Victoria .....	1995-2011
Econoline .....	1997-2008
Escape .....	2001-2007
Excursion .....	2000-2005
Expedition .....	1997-2002
Expedition (without NAV).....	2003-2006
Explorer .....	1995-2005
Explorer Sport Track.....	2001-2005
F-150 .....	1997-2003
F-150 (Heritage).....	2004
F-250 .....	1998
F-250/350/450/550 .....	1999-2004
F-650/750 .....	1999-2010
Mustang .....	2001-2004
Ranger .....	1995-2011
Windstar .....	1999-2003

### Lincoln

Aviator .....	2003-2005
Continental .....	1995-1997
Blackwood .....	2002
Mark 8 .....	1996-1998
Town Car .....	1995-2002
Navigator .....	1997-2002
Navigator (with NAV, THX amp) .....	2003-2006
Navigator (without NAV) .....	2003-2006

### Mazda

B-Series Pickup .....	1995-2009
-----------------------	-----------

### Mercury

Grand Marquis .....	1995-2010
Mountaineer .....	1997-2005
Marauder .....	2003-2004
Mariner .....	2005-2007

## TABLE OF CONTENTS

### Dash Disassembly

#### Ford

- Crown Victoria 1995-2011.....	3
- Escape 2001-2007 .....	3
- Econoline 1997-2008.....	3
- Excursion 2000-2005 .....	4
- Expedition 1997-2002.....	4
- Expedition (without NAV) 2003-2006 .....	5
- Explorer 1995-2001 .....	3
- Explorer Sport Trac 2001-2005.....	3
- Explorer 2002-2005.....	5
- F-150 1997-2003.....	4
- F-150 (Heritage) 2004 .....	4
- F-250 1998 .....	4
- F-250/350/450/550 1999-2004.....	3
- F-650/750 2000-2010.....	3
- Mustang 2001-2004.....	5
- Ranger 1995-2011.....	3

### Lincoln

- Aviator 2003-2005.....	7
- Blackwood 2002 .....	4
- Continental 1995-1997 .....	3
- Mark 8 1996-1998 .....	3
- Navigator 1997-2002 .....	3
- Navigator (with NAV, THX amp) 2003-2006...6	
- Navigator (without NAV) 2003-2006.....	6
- Town Car 1995-2002 .....	3

### Mazda

- B-Series Pickup 1995-2009.....	3
----------------------------------	---

### Mercury

- Grand Marquis 1995-2010.....	3
- Marauder 2003-2004.....	3
- Mariner 2005-2007 .....	3
- Mountaineer 1997-2001.....	3
- Mountaineer 2002-2005 .....	5

<b>Kit Preparation</b> .....	8
------------------------------	---

#### Kit Assembly

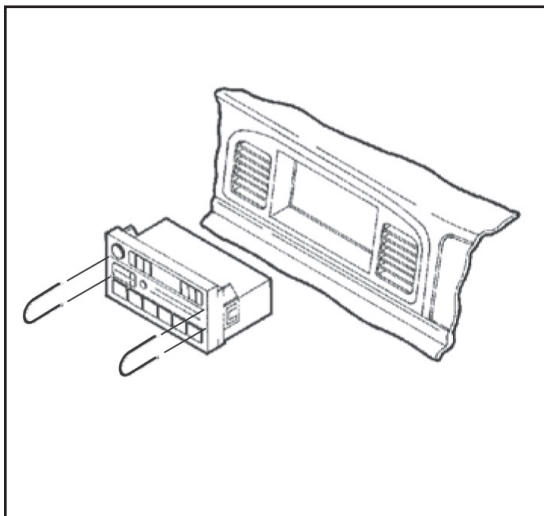
- DIN radio provision with pocket.....	9, 11
- ISO DIN radio provision with pocket ....	10, 12

## DASH DISASSEMBLY

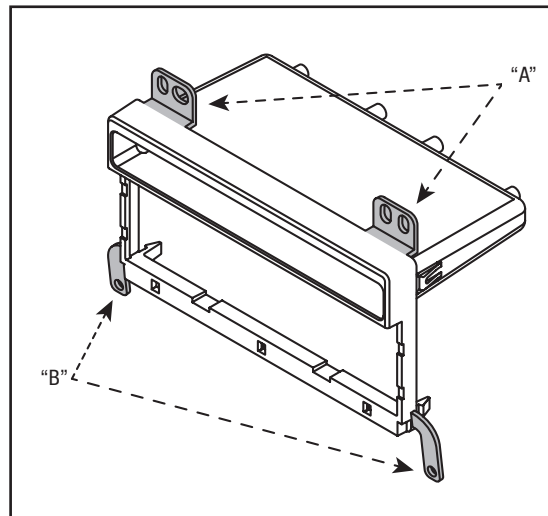
Ford Crown Victoria 1995-2011/  
Econoline 1997-2008/Explorer 1995-2001/  
Explorer Sport Trac 2001-2005/  
F-250/350/450/550 1999-2004/  
F-650/750 2000-2010/Ranger 1995-2011,  
Lincoln Continental 1995-1997/Mark 8 1996-1998/  
Town Car 1995-2002,  
Mazda B-Series Pickup 1995-2009,  
Mercury Grand Marquis 1995-2010/  
Marauder 2003-2004/Mariner 2005-2007/  
Mountaineer 1997-2001

1. Using Metra's 86-5618, pull the factory radio from the dash and disconnect the wiring. (Figure A)
2. Cut and remove the top mounting legs "A" and the bottom mounting legs "B" from the **radio housing**. (Figure B)

*Continue to Kit Preparation*



(Figure A)



(Figure B)

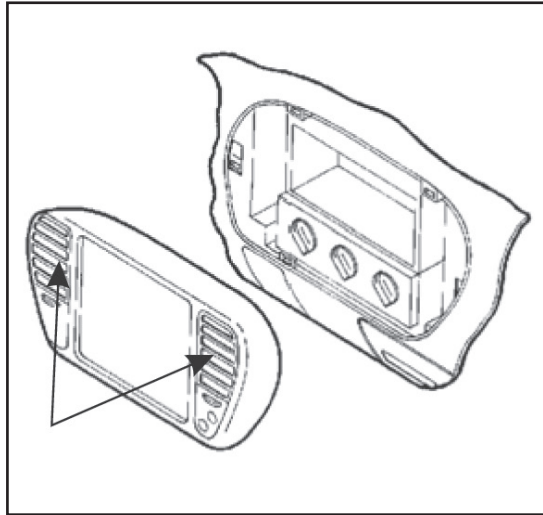
## DASH DISASSEMBLY

Ford Expedition 1997-2002/F-150 1997-2003/  
F-150 (Heritage) 2004/F-250 1998  
Excursion 2000-2005,  
Lincoln Blackwood 2002/  
Navigator 1997-2002

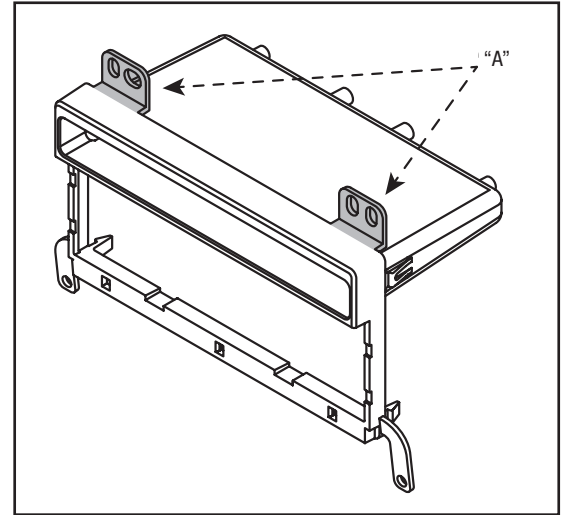
1. Place your index fingers on the inner edges of the A/C vents and push inward. Grasp the exposed lip of each vent opening and pull out on the radio trim bezel. Remove the dash trim bezel (airbag wiring does not need to be disconnected). (Figure A)
2. Using Metra's 86-5618, pull the factory radio from the dash and disconnect the wiring.
3. Remove the (2) uppermost mounting screws from the climate control panel.
4. Cut and remove the top mounting legs "A" from the **radio housing**. (Figure B)

**Note:** For the Ford Expedition 1997-1998, F-150 1997-1998, F-250 1998 remove the rear support bracket from the dash cavity.

Continue to Kit Preparation



(Figure A)



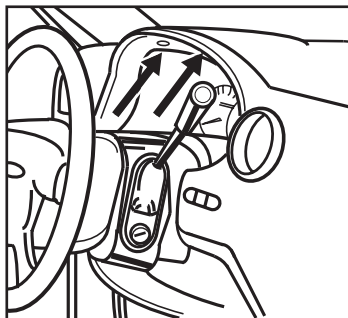
(Figure B)

## DASH DISASSEMBLY

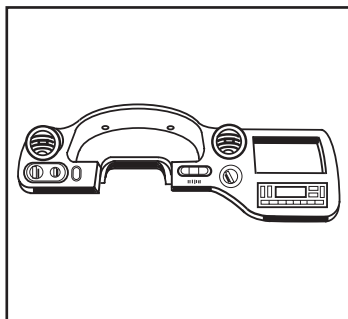
### Ford Expedition (without NAV) 2003-2006

1. Remove (2) 9/32" screws from above instrument cluster. (Figure A)
2. Unclip and remove entire panel surrounding radio, climate controls, and instrument cluster. (Figure B)
3. Remove (2) 9/32" screws securing radio.

*Continue to Kit Preparation*



(Figure A)

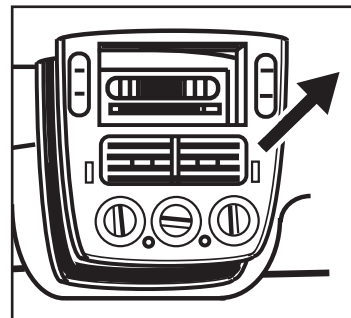


(Figure B)

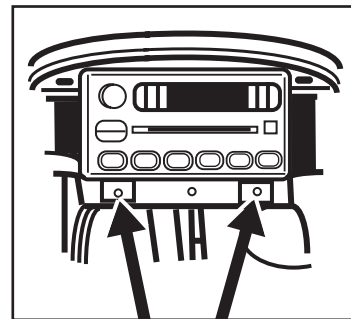
### Ford Explorer 2002-2005 Mercury Mountaineer 2002-2005

1. Unclip and remove entire panel surrounding radio including climate controls and vents. (Figure A)
2. Remove (2) 9/32" screws securing radio. (Figure B)

*Continue to Kit Preparation*



(Figure A)



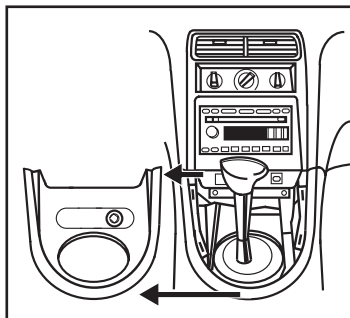
(Figure B)

## DASH DISASSEMBLY

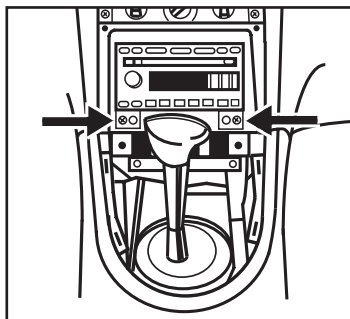
### Ford Mustang 2001-2004

1. Unclip and remove shift lever trim panel. (Figure A)
2. Unclip and remove the entire panel surrounding the radio and climate controls including the vents. (Figure B)
3. Remove (2) 9/32" screws securing radio. (Figure B)

Continue to Kit Preparation



(Figure A)

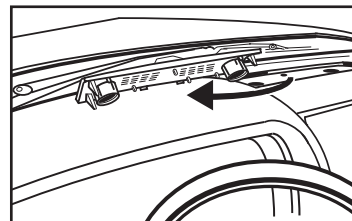


(Figure B)

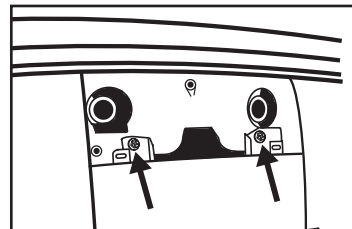
### Lincoln Aviator 2003-2005

1. Unclip and remove vent panel above radio on top of dashboard. (Figure A)
2. Remove (2) 9/32" screws exposed under panel removed in step 1. (Figure B)
3. Unclip and remove panel around radio with door in it. (Figure C)

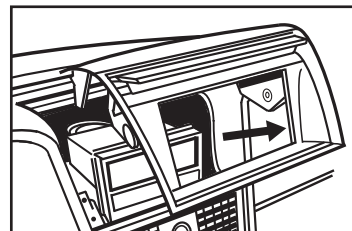
Continued on the next page



(Figure A)



(Figure B)



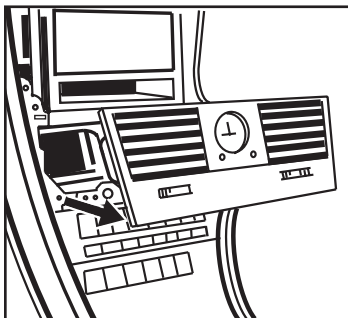
(Figure C)

## DASH DISASSEMBLY (CONT.)

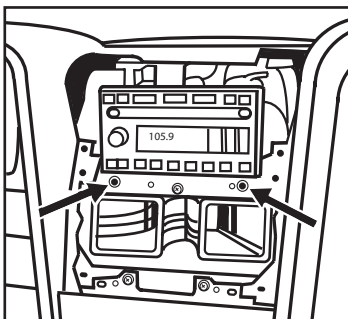
### Lincoln Aviator 2003-2005 (Cont)

4. Unclip and remove vents below radio.  
(Figure D)
5. Remove (2) 9/32" screws securing radio.  
(Figure E)

Continue to Kit Preparation



(Figure D)



(Figure E)

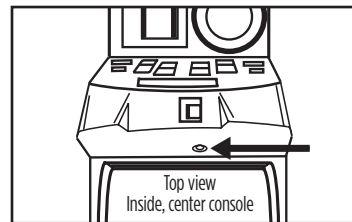
### Lincoln Navigator

(with NAV, THX amp) 2003-2006

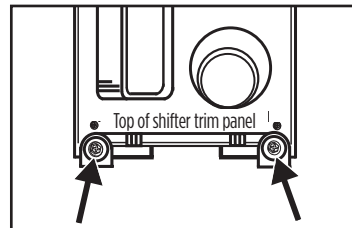
### Navigator (without NAV) 2003-2006

1. Open center console and remove (1) push pin from back of power window switch panel. (Figure A)
2. Unclip and remove panel.
3. Remove (2) 9/32" screws exposed on shifter panel then unclip and move shifter panel off to side. (Figure B, C)
4. Remove (2) 9/32" screws exposed under ashtray assembly. (Figure C)
5. Unclip and remove entire panel surrounding climate controls and radio.
6. Remove (2) 9/32" screws securing radio.  
(Figure C)

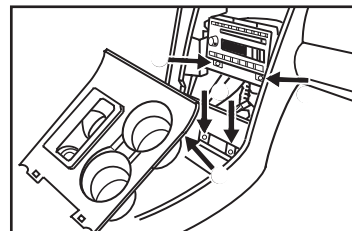
Continue to Kit Preparation



(Figure A)



(Figure B)



(Figure C)

## KIT PREPARATION

1. Attach the corresponding radio housing trim piece to the radio housing. (Figure A)

The following applications will use **radio housing trim piece "B"** (thicker trim piece):

**Ford Expedition** (without NAV) **2003-2006**

**Ford Explorer** **2002-2005**

**Ford Mustang** **2001-2004**

**Lincoln Aviator** **2003-2005**

**Lincoln Navigator** (without NAV) **2003-2006**

**Lincoln Navigator** (with NAV, with THX amp) **2003-2006**

**Mercury Mountaineer** **2002-2005**

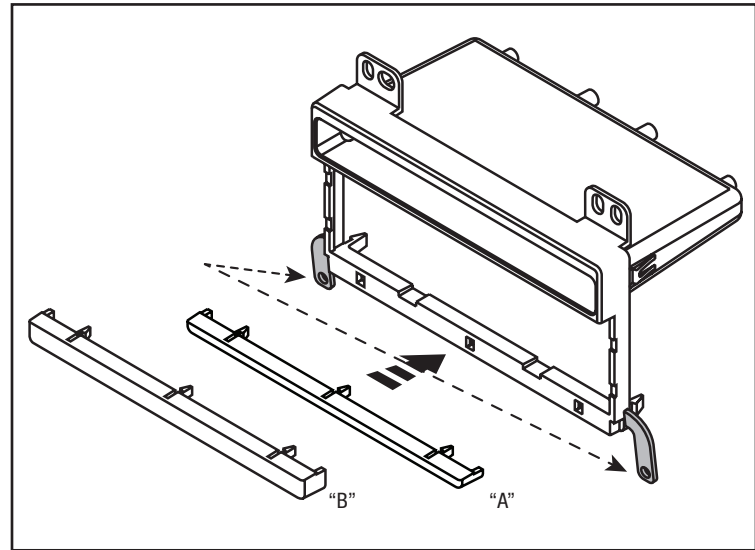
2. Cut and remove the mounting legs (B) from the **radio housing**. (Figure A)

**Note:** The kit is illustrated upside down of how it will actually mount into the vehicle.

*Continue to kit assembly, pages 9-10*

All other applications will use **radio housing trim piece "A"** (thinner trim piece):

*Continue to kit assembly, pages 11-12*



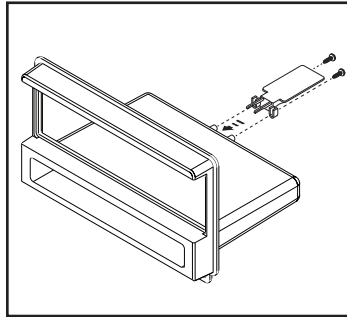
(Figure A)



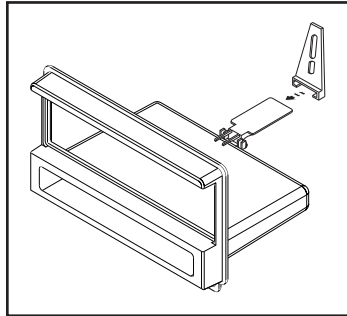
## KIT ASSEMBLY

### DIN radio provision with pocket

1. Remove the metal DIN sleeve from the aftermarket radio.
2. Slide the sleeve into the **radio housing** and secure by bending the metal locking tabs down.
3. Slide the radio into the sleeve until it clicks in.
4. Secure the **mounting bracket** to the back of the **radio housing** with the (2) #8 x 3/8" Phillips screws supplied. (Figure A)



(Figure A)

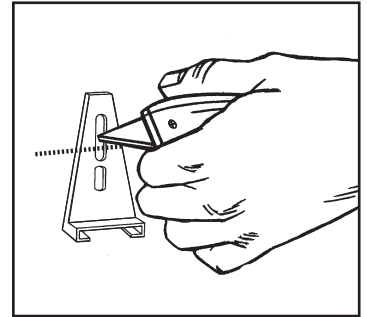


(Figure B)

5. Slide the **rear support** onto the **mounting bracket**, and then mount the support to the back of the radio using the hardware included with the radio. (Figure B)

**Note:** For the Ford Expedition and Lincoln Navigator, cut the **support** as shown in Figure C. (Figure C)

6. Locate the factory wiring harness and antenna connector in the dash. Metra recommends using the proper mating adapter from Metra or AXXESS. Test the radio for proper operation.
7. Reassemble the dash in reverse order of disassembly.

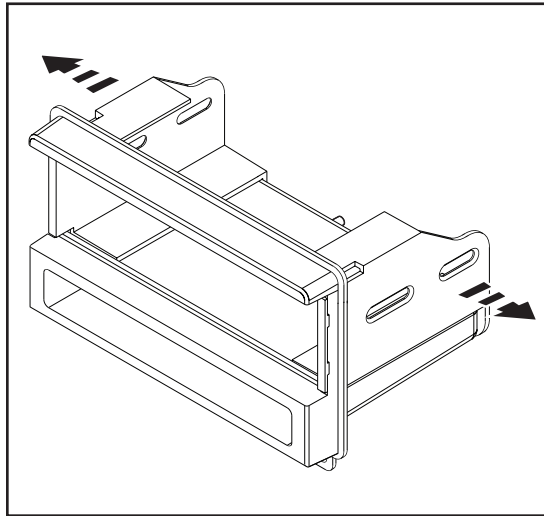


(Figure C)

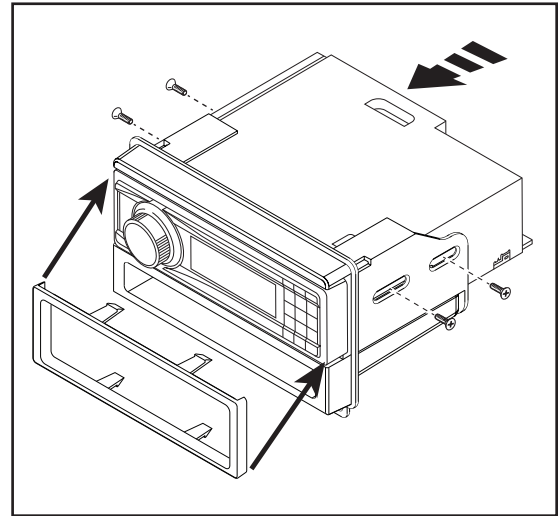
## KIT ASSEMBLY

### ISO DIN radio provision with pocket

1. Attach the **ISO brackets** to the **radio housing**, and then secure using the (2) #8 x 3/8" Phillips screws provided and then snap the correct **radio housing trim piece** to the radio housing. (Figure A)
2. Remove the metal DIN sleeve and trim ring from the aftermarket radio.
3. Slide the radio into the rear of the radio opening and then secure with the screws supplied with the radio. (Figure B)
4. Snap the **trim plate** into the **radio housing**. (Figure B)
5. Locate the factory wiring harness and antenna connector in the dash. Metra recommends using the proper mating adapter from Metra or AXXESS. Test the radio for proper operation.
6. Reassemble the dash in reverse order of disassembly.



(Figure A)

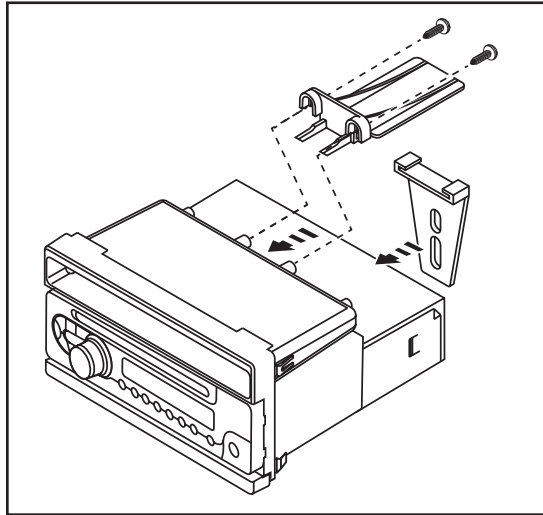


(Figure B)

## KIT ASSEMBLY

### DIN radio provision with pocket

1. Remove the metal DIN sleeve from the aftermarket radio.
2. Slide the sleeve into the **radio housing** and secure by bending the metal locking tabs down.
3. Slide the radio into the sleeve until it clicks in.
4. Secure the **mounting bracket** to the back of the **radio housing** with the (2) #8 x 3/8" Phillips screws supplied. (Figure A)
5. Slide the **rear support** onto the **mounting bracket**, and then mount the support to the back of the radio using the hardware included with the radio. (Figure A)
6. Locate the factory wiring harness and antenna connector in the dash. Metra recommends using the proper mating adapter from Metra or AXCESS. Test the radio for proper operation.
7. Reassemble the dash in reverse order of disassembly.

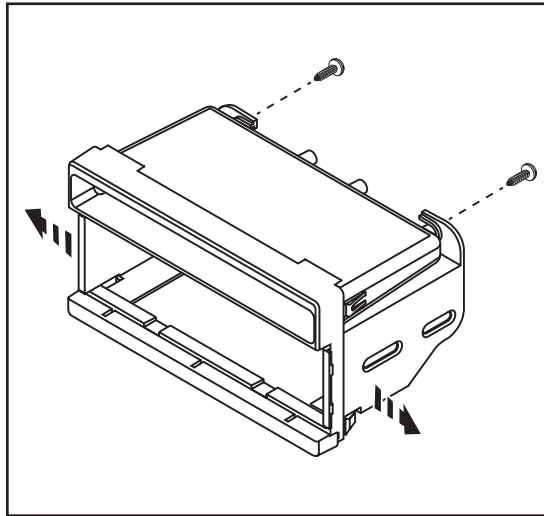


(Figure A)

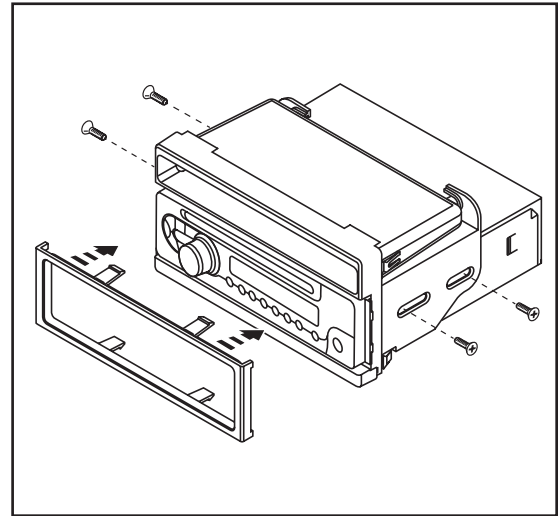
## KIT ASSEMBLY

### ISO DIN radio provision with pocket

1. Attach the **ISO brackets** to the **radio housing**, and then secure using the (2) #8 x 3/8" Phillips screws provided. (Figure A)
2. Remove the metal DIN sleeve and trim ring from the aftermarket radio.
3. Slide the radio into the rear of the radio opening and then secure with the screws supplied with the radio. (Figure B)
4. Snap the **trim plate** into the **radio housing**. (Figure B)
5. Locate the factory wiring harness and antenna connector in the dash. Metra recommends using the proper mating adapter from Metra or AXCESS. Test the radio for proper operation.
6. Reassemble the dash in reverse order of disassembly.



(Figure A)



(Figure B)



---

---

---

---

---

---

---

---

---

---

---

---

---

---

---

---

---

---

---

---

---

---

---

---

---

---

---

---

---

---

---

---

---

---

---

---

---

---

---

---

---

---

---

---

---

---

---



---

---

---

---

---

---

---

---

---

---

---

---

---

---

---

---

---

---

---

---

---

---

---

---

---

---

---

---

---

---

---

---

---

---

---

---

---

---

---

---

---

---

---

---

---

---

---

---

---

---

---

---

---

---

---

---

---

---

---

---



---

---

---

---

---

---

---

---

---

---

---

---

---

---

---

---

---

---

---

---

---

---

---

---

---

---

---

---

---

---

---

---

---

---

---

---

---

---

---

---

---

---

---

---

---

---



Having difficulties? We're here to help.



Contact our Tech Support line at:

**386-257-1187**



Or via email at:

[techsupport@metra-autosound.com](mailto:techsupport@metra-autosound.com)

**Tech Support Hours (Eastern Standard Time)**

Monday - Friday: 9:00 AM - 7:00 PM

Saturday: 10:00 AM - 7:00 PM

Sunday: 10:00 AM - 4:00 PM



**KNOWLEDGE IS POWER**

Enhance your installation and fabrication skills by enrolling in the most recognized and respected mobile electronics school in our industry. Log onto [www.installerinstitute.edu](http://www.installerinstitute.edu) or call 386-672-5771 for more information and take steps toward a better tomorrow.



**Metra recommends MECP  
certified technicians**





## Ford, Mazda Multi Kit 1995-2011

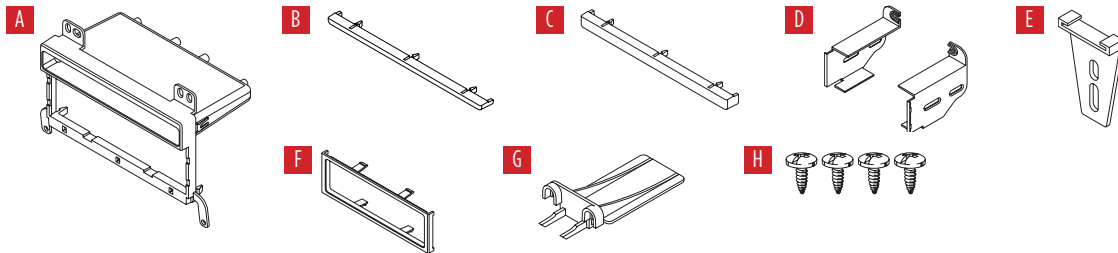
Visite [MetraOnline.com](http://MetraOnline.com) para obtener información más detallada sobre el producto y aplicaciones actualizadas específicas para vehículos.

### CARACTERÍSTICAS DEL KIT

- Provisión de radio DIN con bolsillo
- Provisión de radio ISO DIN con bolsillo

### COMPONENTES DEL KIT

- A) Carcasa del radio • B) Moldura de la carcasa del radio, pieza "A" • C) Moldura de la carcasa del radio, pieza "B" • D) Soportes ISO • E) Soporte trasero
- F) Placa de moldura ISO • G) Soporte de montaje • H) (4) tornillos Phillips de cabeza segmentada #8 x 3/8"



### APLICACIONES

Ve la página 2

### INDICE

Ve la página 2

### CABLEADO Y CONEXIONES DE ANTENA

Se venden por separado

### HERRAMIENTAS NECESARIAS

- Herramienta de remoción de panel
- Destornillador Phillips
- Llaves de remoción Ford 86-5618

**¡Atención!** Deje que el vehículo se asiente con la llave fuera del encendido durante unos minutos antes de quitar la radio de fábrica. Al probar el equipo del mercado de accesorios, asegúrese de que todo el equipo de fábrica esté conectado antes de encender el llave de encendido.

## APLICACIONES

### Ford

Crown Victoria .....	1995-2011
Econoline .....	1997-2008
Escape .....	2001-2007
Excursion .....	2000-2005
Expedition .....	1997-2002
Expedition (sin NAV) .....	2003-2006
Explorer .....	1995-2005
Explorer Sport Track.....	2001-2005
F-150 .....	1997-2003
F-150 (Heritage).....	2004
F-250 .....	1998
F-250/350/450/550 .....	1999-2004
F-650/750 .....	1999-2010
Mustang .....	2001-2004
Ranger .....	1995-2011
Windstar .....	1999-2003

### Lincoln

Aviator .....	2003-2005
Continental .....	1995-1997
Blackwood .....	2002
Mark 8 .....	1996-1998
Town Car .....	1995-2002
Navigator .....	1997-2002
Navigator (con NAV, THX amp).....	2003-2006
Navigator (sin NAV).....	2003-2006

### Mazda

B-Series Pickup .....	1995-2009
-----------------------	-----------

### Mercury

Grand Marquis .....	1995-2010
Mountaineer .....	1997-2005
Marauder .....	2003-2004
Mariner .....	2005-2007

## INDICE

### Desmontaje del tablero

#### Ford

- Crown Victoria 1995-2011.....	3
- Escape 2001-2007 .....	3
- Econoline 1997-2008.....	3
- Excursion 2000-2005 .....	4
- Expedition 1997-2002.....	4
- Expedition (without NAV) 2003-2006.....	5
- Explorer 1995-2001 .....	3
- Explorer Sport Trac 2001-2005.....	3
- Explorer 2002-2005.....	5
- F-150 1997-2003.....	4
- F-150 (Heritage) 2004 .....	4
- F-250 1998 .....	4
- F-250/350/450/550 1999-2004.....	3
- F-650/750 2000-2010.....	3
- Mustang 2001-2004.....	5
- Ranger 1995-2011.....	3

### Lincoln

- Aviator 2003-2005.....	7
- Blackwood 2002 .....	4
- Continental 1995-1997 .....	3
- Mark 8 1996-1998 .....	3
- Navigator 1997-2002 .....	3
- Navigator (with NAV, THX amp) 2003-2006...6	
- Navigator (without NAV) 2003-2006.....	6
- Town Car 1995-2002 .....	3

### Mazda

- B-Series Pickup 1995-2009.....	3
----------------------------------	---

### Mercury

- Grand Marquis 1995-2010.....	3
- Marauder 2003-2004.....	3
- Mariner 2005-2007 .....	3
- Mountaineer 1997-2001.....	3
- Mountaineer 2002-2005 .....	5

Preparación del kit.....	8
--------------------------	---

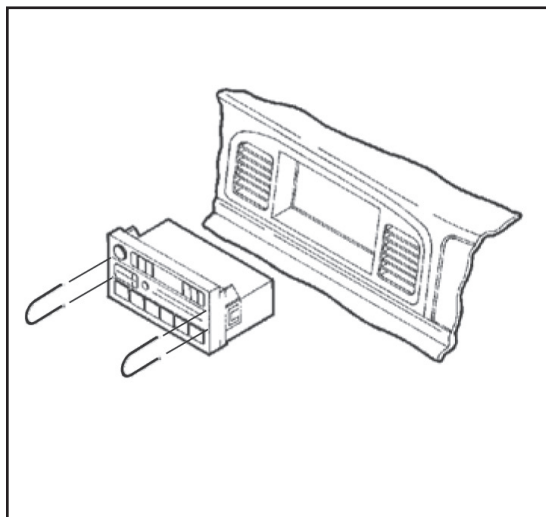
### Ensamble del kit

- DIN radio provision with pocket.....	9, 11
- ISO DIN radio provision with pocket ....	10, 12

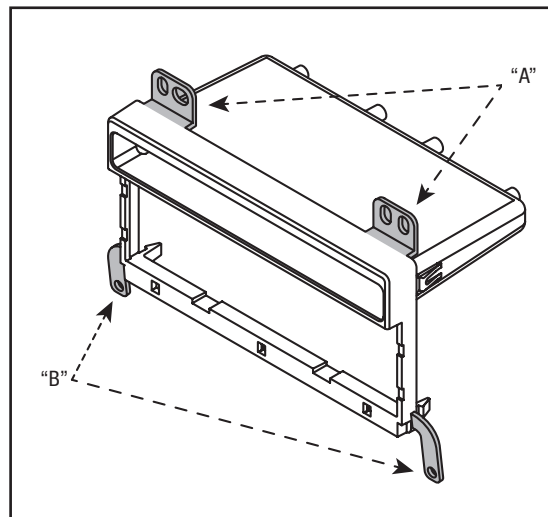
## DESMONTAJE DEL TABLERO

Ford Crown Victoria 1995-2011/  
Econoline 1997-2008/Explorer 1995-2001/  
Explorer Sport Trac 2001-2005/  
F-250/350/450/550 1999-2004/  
F-650/750 2000-2010/Ranger 1995-2011,  
Lincoln Continental 1995-1997/Mark 8 1996-1998/  
Town Car 1995-2002,  
Mazda B-Series Pickup 1995-2009,  
Mercury Grand Marquis 1995-2010/  
Marauder 2003-2004/Mariner 2005-2007/  
Mountaineer 1997-2001

1. Usando las llaves 86-5618 de Metra, jale la unidad central de fábrica del tablero y desconecte el cableado. (Figura A)
2. Corte y quite la patas de montaje superior "A" y las patas de montaje inferior "B" de la **carcasa del radio**. (Figura B)



(Figura A)



(Figura B)

*Continúe con la preparación del kit*

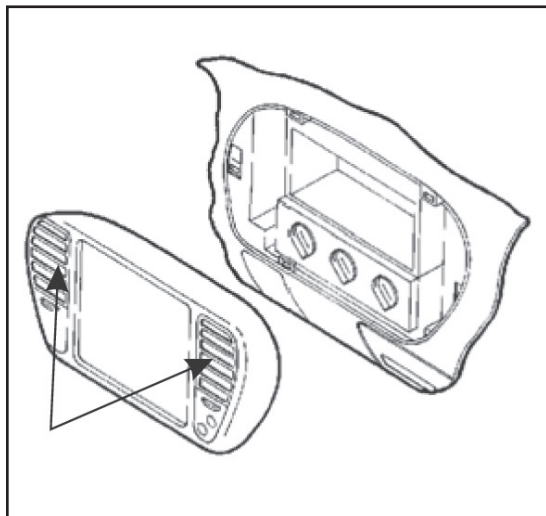
## DESMONTAJE DEL TABLERO

Ford Expedition 1997-2002/F-150 1997-2003/  
F-150 (Heritage) 2004/F-250 1998  
Excursion 2000-2005,  
Lincoln Blackwood 2002/  
Navigator 1997-2002

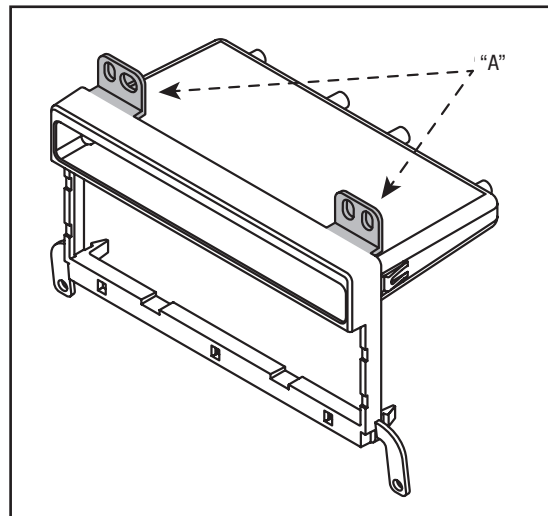
1. Coloque sus dedos índices en los bordes internos de las rejillas del aire acondicionado y jale hacia adentro. Sujete el borde expuesto de cada apertura de rejilla y jale hacia afuera el bisel de la moldura del radio. Quite el bisel de la moldura del tablero (no es necesario desconectar el cableado de la bolsa de aire). (Figura A)
2. Usando las llaves 86-5618 de Metra, jale la unidad central de fábrica del tablero y desconecte el cableado.
3. Quite los tornillos (2) de montaje superior del panel de control climático.
4. Corte y quite las patas de montaje superior "A" de la carcasa del radio. (Figura B)

**Nota:** Para la Ford Expedition 1997-1998, F-150 1997-1998, F-250 1998 retire el soporte de apoyo trasero de la cavidad del tablero.

Continúe con la preparación del kit



(Figura A)



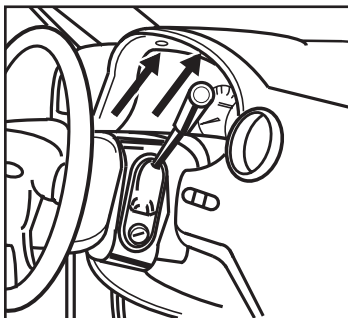
(Figura B)

## DESMONTAJE DEL TABLERO

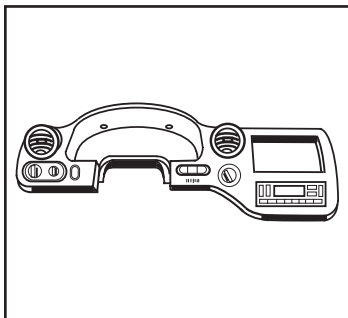
### Ford Expedition (sin NAV) 2003-2006

1. Quite los (2) tornillos de 9/32" de arriba del conjunto de instrumentos. (Figura A)
2. Desenganche y quite todo el panel que rodea el radio, los controles del clima y el conjunto de instrumentos. (Figura B)
3. Retire los (2) tornillos de 9/32" que sostienen el radio.

Continúe con la preparación del kit



(Figura A)

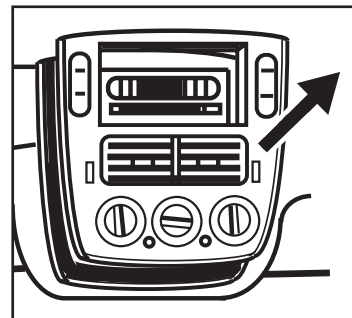


(Figura B)

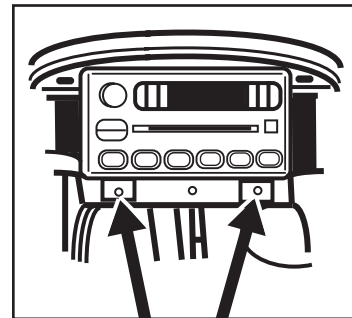
### Ford Explorer 2002-2005 Mercury Mountaineer 2002-2005

1. Desenganche y quite todo el panel que rodea el radio, incluyendo los controles del clima y las rejillas. (Figura A)
2. Retire los (2) tornillos de 9/32" que sostienen el radio. (Figura B)

Continúe con la preparación del kit



(Figura A)

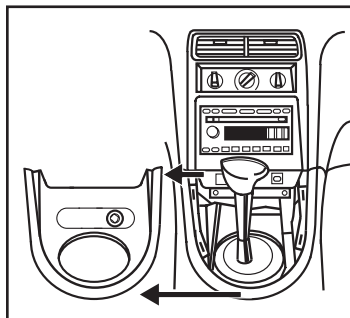


(Figura B)

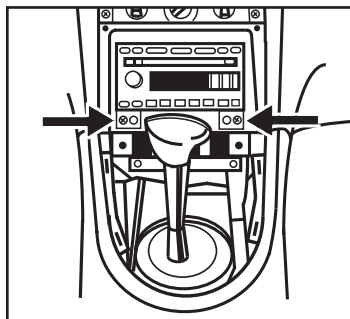
## DESMONTAJE DEL TABLERO

### Ford Mustang 2001-2004

1. Desenganche y quite el panel de la moldura de la palanca de velocidades. (Figura A)
2. Desenganche y retire todo el panel que rodea el radio y los controles del clima, incluyendo las rejillas. (Figura B)
3. Retire los (2) tornillos de 9/32" que sostienen el radio. (Figura B)



(Figura A)

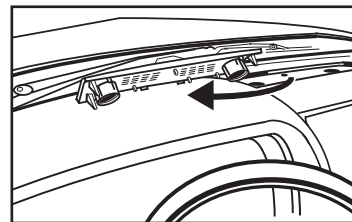


(Figura B)

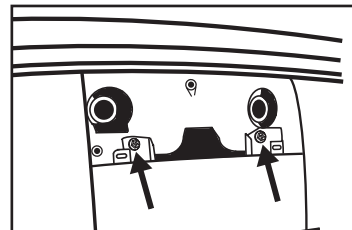
Continúe con la preparación del kit

### Lincoln Aviator 2003-2005

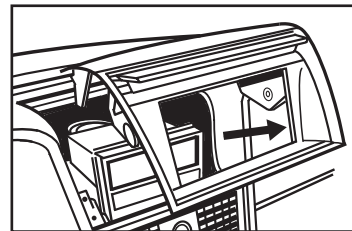
1. Desenganche y quite el panel de la rejilla arriba del radio sobre el tablero. (Figura A)
2. Quite los (2) tornillos de 9/32" expuestos debajo del panel que quitó en el paso 1. (Figura B)
3. Desenganche y quite el panel que rodea el radio con la puerta incluida. (Figura C)



(Figura A)



(Figura B)



(Figura C)

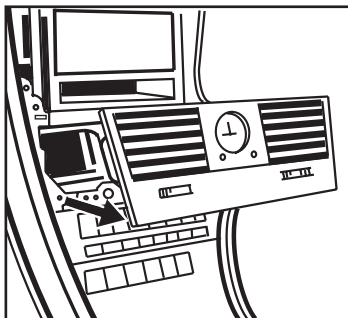
Continúa en la siguiente pagina

## DESMONTAJE DEL TABLERO

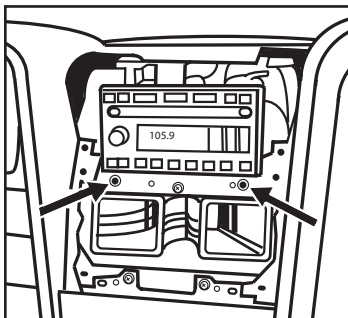
### Lincoln Aviator 2003-2005 (cont)

- Desenganche y quite las rejillas debajo del radio. (Figura D)
- Retire los (2) tornillos de 9/32" que sostienen el radio. (Figura E)

Continúe con la preparación del kit



(Figura D)



(Figura E)

### Lincoln Navigator

(con NAV, THX amp) 2003-2006

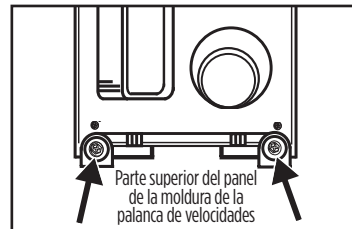
### Navigator (sin NAV) 2003-2006

- Abra la consola central y quite (1) chincheta de la parte posterior del panel interruptor de la ventanilla eléctrica. (Figura A)
- Desenganche y quite el panel.
- Quite los (2) tornillos de 9/32" expuestos del panel de la palanca de velocidades y luego desenganche y mueva la palanca de velocidades a un lado. (Figura B, C)
- Quite los (2) tornillos de 9/32" expuestos debajo del ensamble del cenicero. (Figura C)
- Desenganche y quite todo el panel que rodea los controles del clima y el radio.
- Retire los (2) tornillos de 9/32" que sostienen el radio. (Figura C)

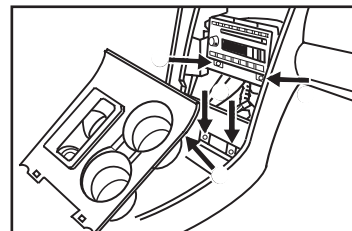
Continúe con la preparación del kit



(Figura A)



(Figura B)



(Figura C)

## PREPARACIÓN DEL KIT

1. Una la pieza correspondiente de la moldura de la carcasa del radio a la carcasa del radio. (Figura A)
2. Cortar y quitar las patas de montaje (B) (B) de la carcasa de la radio. (Figura A)

Las siguientes aplicaciones utilizarán la pieza **“B” de la moldura de la carcasa del radio** (pieza más gruesa de moldura):

**Ford Expedition** (sin NAV) 2003-2006

**Ford Explorer** 2002-2005

**Ford Mustang** 2001-2004

**Lincoln Aviator** 2003-2005

**Lincoln Navigator** (sin NAV) 2003-2006

**Lincoln Navigator** (sin NAV, con THX amp) 2003-2006

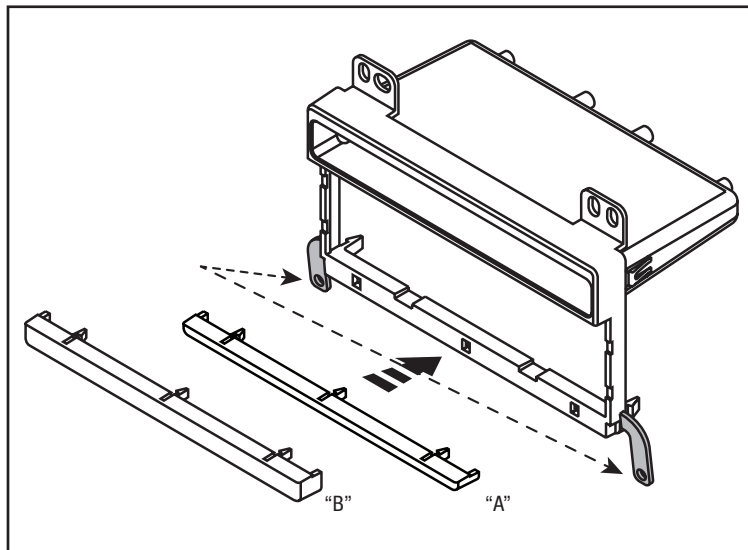
**Mercury Mountaineer** 2002-2005

**Nota:** El kit se ilustra revés de lo que realmente va a montar en el vehículo.

*Continúe con el ensamble del kit, páginas 9-10*

Todas las demás aplicaciones utilizarán la pieza **“A” de la moldura de la carcasa del radio** (pieza más delgada de moldura):

*Continúe con el ensamble del kit, páginas 11-12*



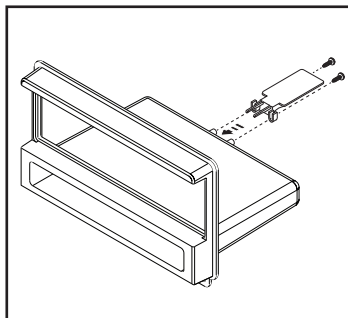
(Figura A)



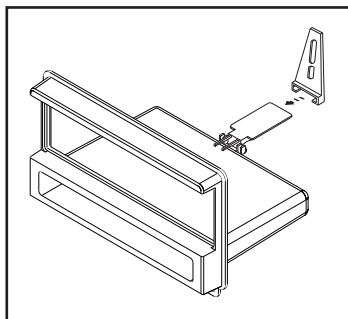
## ENSAMBLE DEL KIT

### Provisión de radio DIN con cavidad

1. Quite la manga de metal DIN del radio de mercado secundario.
2. Deslice la manga en la **carcasa del radio** y sujétela doblando hacia abajo las pestañas de metal.
3. Deslice el radio en la manga hasta que haga clic.
4. Fije el **soporte de montaje a la parte posterior** de la **carcasa de radio** con el (2) # 8 x 3/8 "tornillos Phillips suministran. (Figura A)



(Figura A)

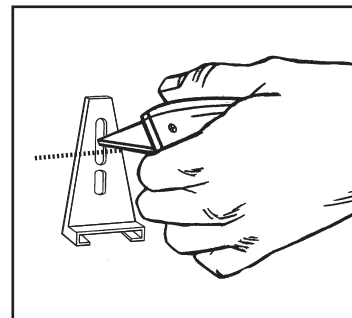


(Figura B)

5. Deslice el **soporte trasero** en el **soporte de montaje**, y luego monte el soporte a la parte posterior de la radio con el hardware incluido con la radio. (Figura B)

**Nota:** Para la expedición de Ford y Lincoln Navigator, cortar el **soporte** como se muestra en la Figura C. (Figura C)

6. Localice el arnés de cableado de fábrica y el conector de la antena en el tablero. Metra recomienda que use adaptadores adecuados de acoplamiento de Metra y/o de AXCESS. Pruebe el radio para verificar que funcione correctamente.
7. Vuelva a armar el tablero al revés de como lo desarmó.

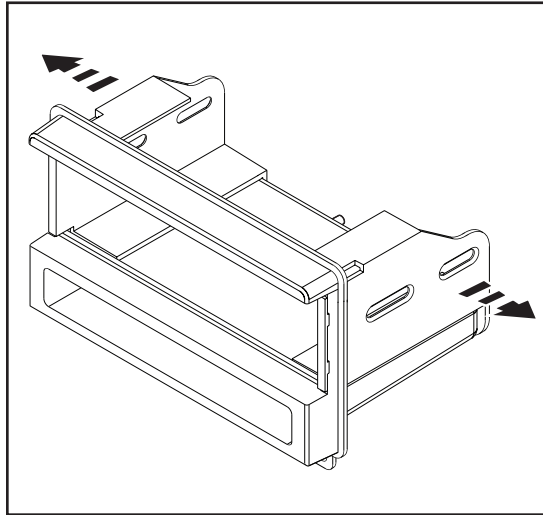


(Figura C)

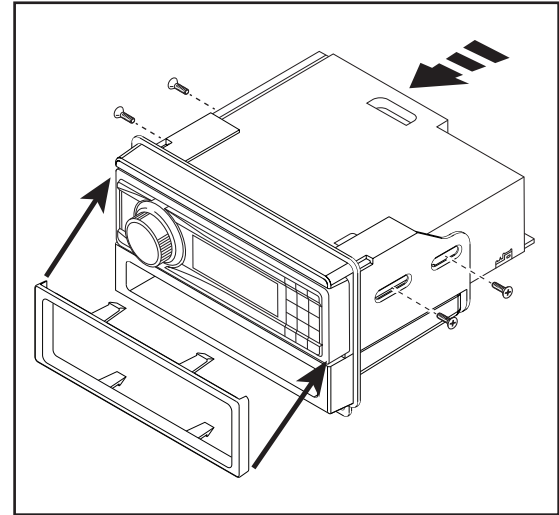
## ENSAMBLE DEL KIT

### Provisión de radio ISO DIN con cavidad

1. Fije los **soportes ISO** a la **carcasa del radio** y luego asegúrelos con los (2) tornillos Phillips n.º 8 x 3/8" provistos y luego encaje la **pieza de moldura de la carcasa del radio** correcta en la **carcasa del radio**. (Figura A)
2. Quite la manga de metal DIN y el anillo de moldura del radio de mercado secundario.
3. Deslice el radio en la parte trasera de la abertura de la radio y luego asegure con los tornillos suministrados con la radio. (Figura B)
4. Coloque la **placa para moldura** en la **carcasa de radio**. (Figura B)
5. Localice el arnés de cableado de fábrica y el conector de la antena en el tablero. Metra recomienda que use adaptadores adecuados de acoplamiento de Metra y/o de AXXESS. Pruebe el radio para verificar que funcione correctamente.
6. Vuelva a armar el tablero al revés de como lo desarmó.



(Figura A)

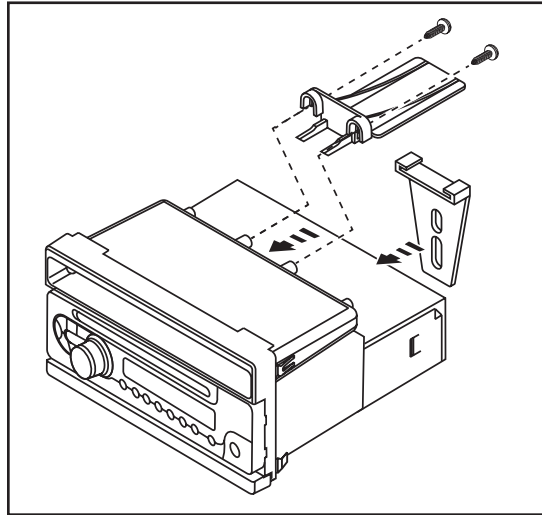


(Figura B)

## ENSAMBLE DEL KIT

### Provisión de radio DIN con cavidad

1. Quite la manga de metal DIN del radio de mercado secundario.
2. Deslice la manga en la **carcasa del radio** y sujétela doblando hacia abajo las pestañas de metal.
3. Deslice el radio en la manga hasta que haga clic.
4. Fije el **soporte de montaje a la parte posterior** de la **carcasa de radio** con el (2) # 8 x 3/8 "tornillos Phillips suministran. (Figura A)
5. Deslice el **soporte trasero** en el **soporte de montaje**, y luego montar el **soporte a la parte posterior de la radio** con el hardware incluido con la radio. (Figura B)
6. Localice el arnés de cableado de fábrica y el conector de la antena en el tablero. Metra recomienda que use adaptadores adecuados de acoplamiento de Metra y/o de AXXESS. Pruebe el radio para verificar que funcione correctamente.
7. Vuelva a armar el tablero al revés de como lo desarmó.

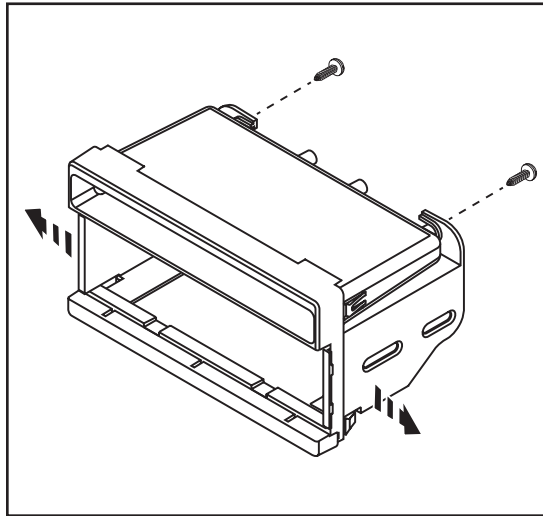


(Figura A)

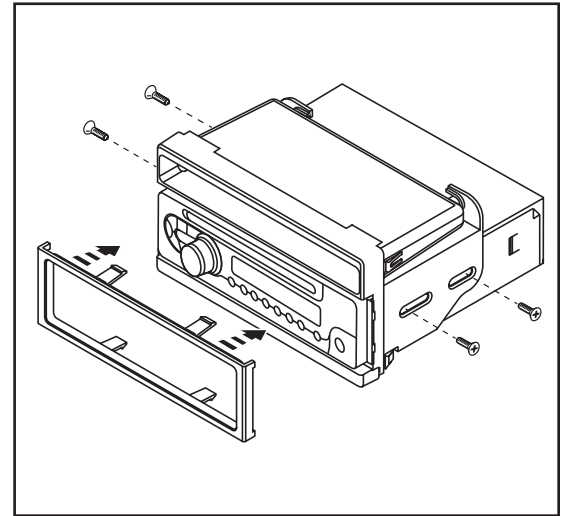
## ENSAMBLE DEL KIT

### Provisión de radio ISO DIN con cavidad

1. Fije los **soportes ISO** a la **carcasa de la radio**, y luego asegure el uso de la (2) # 8 x 3/8 "tornillos Phillips proporcionados. (Figura A)
2. Quite la manga de metal DIN y el anillo de moldura del radio de mercado secundario.
3. Deslice el radio en la parte trasera de la abertura de la radio y luego asegure con los tornillos suministrados con la radio. (Figura B)
4. Coloque la **placa para moldura** en la **carcasa de radio**. (Figura B)
5. Localice el arnés de cableado de fábrica y el conector de la antena en el tablero. Metra recomienda que use adaptadores adecuados de acoplamiento de Metra y/o de AXXESS. Pruebe el radio para verificar que funcione correctamente.
6. Vuelva a armar el tablero al revés de como lo desarmó.



(Figura A)



(Figura B)






---

---

---

---

---

---

---

---

---

---

---

---

---

---

---

---

---

---

---

---

---

---

---

---

---

---

---

---

---

---

---

---

---

---

---

---

---

---

---

---



---

---

---

---

---

---

---

---

---

---

---

---

---

---

---

---

---

---

---

---

---

---

---

---

---

---

---

---

---

---

---

---

---

---

---

---

---

---

---

---

---

---



¿Tienes dificultades? Estamos aquí para ayudar.



Póngase en contacto con nuestra línea de soporte técnico en:  
**386-257-1187**



O por correo electrónico a:  
[techsupport@metra-autosound.com](mailto:techsupport@metra-autosound.com)

**Horas de soporte técnico (hora estándar del este)**

Monday - Friday: 9:00 AM - 7:00 PM

Saturday: 10:00 AM - 7:00 PM

Sunday: 10:00 AM - 4:00 PM



**KNOWLEDGE IS POWER**

Enhance your installation and fabrication skills by enrolling in the most recognized and respected mobile electronics school in our industry. Log onto [www.installerinstitute.edu](http://www.installerinstitute.edu) or call 386-672-5771 for more information and take steps toward a better tomorrow.



**Metra recomienda MECP  
técnicos certificados**