



Ford Edge 2015-up*

*Visit MetraOnline.com for up-to-date vehicle specific applications.

KIT FEATURES

- ISO DIN radio provision with pocket
- ISO DDIN radio provision
- Touchscreen display for climate and personalization features
- Included interface for climate and steering wheel functions
- Integrated hazard button and passenger airbag indicator
- Painted charcoal

KIT COMPONENTS

- A) Radio trim panel with touchscreen display
- B) Radio brackets
- C) Lower radio bracket
- D) Pocket
- E) (4) #8 x 3/8" Phillips screws
- F) (4) Panel clips
- G) Climate control interface and wiring harness (not shown)
- H) Antenna adapter (not shown)

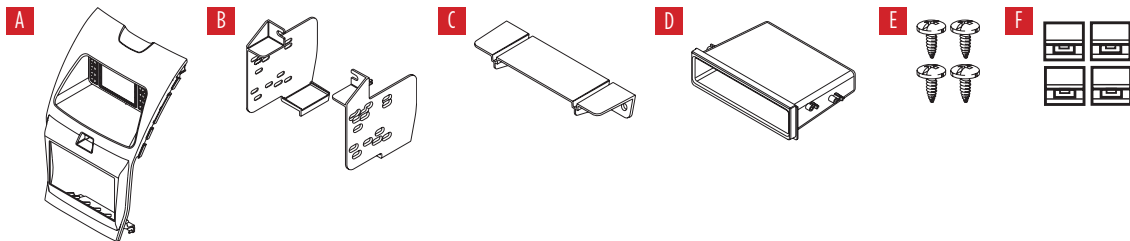


TABLE OF CONTENTS

Dash Disassembly	2
Kit Preparation	2
Kit Assembly	
–ISO DIN radio provision with pocket	3
–ISO DDIN radio provision.....	3
Axxess interface installation.....	4-14

WIRING & ANTENNA CONNECTIONS

Wiring Harness: Axxess interface built into touchscreen

Antenna Adapter: Included with kit

TOOLS REQUIRED

- Panel removal tool • Phillips screwdriver
- 9/32" Socket wrench • 5.5mm Socket wrench

CAUTION! All accessories, switches, climate controls panels, and especially air bag indicator lights must be connected before cycling the ignition. Also, do not remove the factory radio with the key in the on position, or while the vehicle is running.

DASH DISASSEMBLY

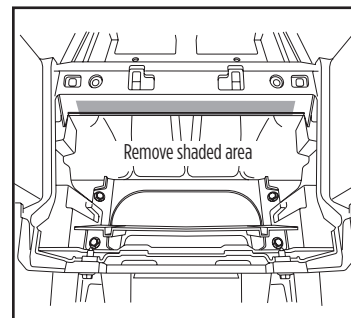
1. Unclip and remove the trim panels from the sides of the center console.
2. Unclip, unplug, and remove the center console trim panel. Be careful not to scratch the radio with the front clips.
3. Remove (4) 5.5mm screws securing the storage compartment in the front of the center console, then move it aside.
4. Remove (6) 9/32" screws securing the shifter housing, then unclip it by pulling back and up to release the clips in the front of the housing. The housing does not need to be removed, just pulled back during disassembly.
5. Remove (2) 9/32" screws securing the bottom of the radio/climate control panel.
6. Starting from the bottom of the radio/climate control panel, unclip the panel, pulling towards the back of the vehicle to release the clips. Unplug and remove the panel.
Note: Use caution when removing this panel. The top of the panel above the vents can break off easily.
7. Remove (4) screws securing the radio display, then unplug and remove.
8. Remove (2) screws securing the radio chassis, then unplug and remove.

Continue to Kit Preparation

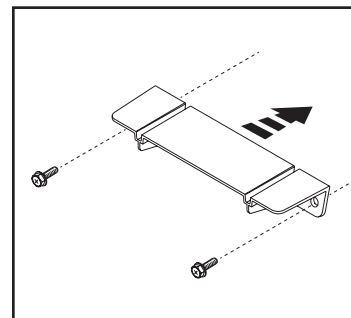
KIT PREPARATION

1. Unclip and remove the A/C vent assembly from each side of the radio/climate control panel.
2. Clip the vent assemblies onto the radio trim panel.
3. Cut the sub-dash where highlighted. (Figure A)
4. Secure the lower radio bracket to the sub-dash using the factory screws. (Figure B)
5. Attach the (4) panel clips to the radio trim panel.

Continue to Kit Assembly



(Figure A)



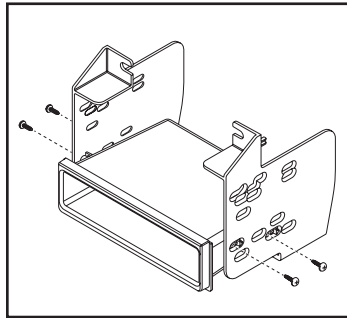
(Figure B)

KIT ASSEMBLY

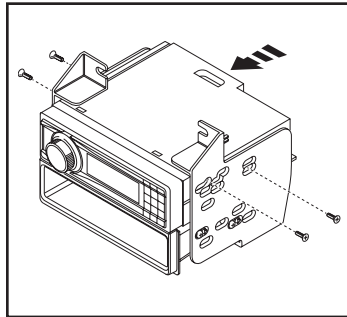
ISO DIN radio provision with pocket

1. Attach the *pocket* to the *radio brackets* using the (4) #8 x 3/8" Phillips screws provided. (Figure A)
2. Remove the metal DIN sleeve and trim ring from the aftermarket radio.
3. Slide the radio into the bracket/pocket assembly, then secure it using the screws supplied with the radio. (Figure B)

Continue to Axxess
Interface Installation



(Figure A)

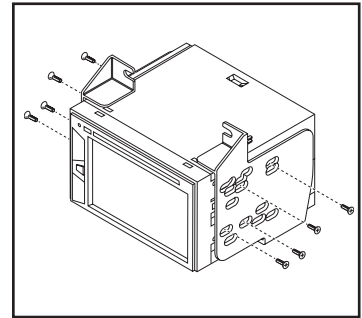


(Figure B)

ISO DDIN radio provision

1. Attach the the *radio brackets* to the radio using the screws supplied with the radio. (Figure A)

Continue to Axxess
Interface Installation



(Figure A)

AXXESS INTERFACE INSTALLATION

INTERFACE FEATURES

- Provides accessory power (12-volt 10-amp)
- Retains R.A.P. (retained accessory power)
- Provides NAV outputs (parking brake, reverse, speed sense)
- Retains audio controls on the steering wheel
- Retains SYNC® (4.2-inch display screen models only)
- Retains the factory backup camera
- Can be used in both amplified and non-amplified models (including Sony*)
- Retains balance and fade (excluding Sony)
- Micro “B” USB updatable

* Only for 2015-2017 models

INTERFACE COMPONENTS

- Axxess interface (built into the touchscreen display)
- 5851 harness
- HVAC interface
- HVAC interface harness
- 4-pin flat to 4-pin stacked harness
- 16-pin harness with stripped leads
- 54-pin backup camera harness
- 12-pin backup camera harness
- 4-pin harness with yellow RCA jacks
- 10-pin to 12-pin adapter harness
- Female 3.5mm connector with stripped leads

TABLE OF CONTENTS

Connections.....	5-8
— For models without a Sony amplifier.....	5
— For models with a Sony amplifier.....	6
— 3.5mm jack - steering wheel control retention.....	8
Installation.....	8-9
Programming.....	9
Final assembly.....	10
Extra features (SYNC).....	10
Touchscreen display operation.....	11-12
— Climate control operation.....	11
— Configuration settings.....	12
— System configuration.....	12
Steering wheel control settings.....	13-14
— Remap buttons.....	13
— Dual assign.....	13
— Select radio.....	14
Troubleshooting.....	14

TOOLS REQUIRED

- Crimping tool and connectors, or solder gun, solder, and heat shrink
- Tape • Wire cutter • Zip ties

CONNECTIONS

Attention! This interface will work with models that are either Sony amplified, or non-amplified. Please follow the instructions carefully for your model vehicle. Failure to do so will result in either no sound, or low sound. If you are unsure if your vehicle is factory amplified or not, please contact your local dealership.

For models *without* a Sony amplifier:

From the 16-pin harness with stripped leads to the aftermarket radio:

- Connect the **Red** wire to the accessory wire.
- If the aftermarket radio has an illumination wire, connect the **Orange/White** wire to it.
- If the aftermarket radio has a mute wire and the vehicle is equipped with SYNC, connect the **Brown** wire to it. If the mute wire is not connected, the radio will turn off when SYNC is activated.
- Connect the **Gray** wire to the right front positive speaker output.
- Connect the **Gray/Black** wire to the right front negative speaker output.
- Connect the **White** wire to the left front positive speaker output.
- Connect the **White/Black** wire to the left front negative speaker output.

The following (3) wires are only for multimedia/navigation radios that require these wires.

- Connect the **Blue/Pink** wire to the VSS/speed sense wire.
- Connect the **Green/Purple** wire to the reverse wire.
- Connect the **Light Green** wire to the parking brake wire.

- Tape off and disregard the following (5) wires, they will not be used in this application.
Blue/White, Green, Green/Black, Purple, Purple/Black

From the 5851 harness to the aftermarket radio:

- Connect the **Black** wire to the ground wire.
- Connect the **Yellow** wire to the battery wire.
- Connect the **Blue** wire to the power antenna wire.
- Connect the **Green** wire to the left rear positive speaker output.
- Connect the **Green/Black** wire to the left rear negative speaker output.
- Connect the **Purple** wire to the right rear positive speaker output.
- Connect the **Purple/Black** wire to the right rear negative output.
- If the vehicle is equipped with SYNC, and desired to be retained, connect the **Red** and **White** RCA jacks labeled “RSE/SYNC/SAT” to the audio AUX-IN jacks of the aftermarket radio.
- Disregard the **Red** and **White** RCA jacks labeled “FROM 3.5”, they will not be used in this application.

Continued on the next page

12-pin backup camera harness:

There are two different methods for connecting the factory backup camera.

If retaining the camera to the aftermarket radio is desired:

- Connect the **Yellow** RCA jack the backup camera input of the aftermarket radio.

If retaining the camera to the touchscreen display is desired:

- Connect the **Yellow** RCA jack, to the **Yellow** RCA jack from the 4-pin harness with yellow RCA jacks labeled “Rearview camera”.

Note: If this method is chosen, the backup camera option must be enabled in *Configuration Settings*.

4-pin harness with yellow RCA jacks:

- Connect the **Yellow** RCA jack labeled “Rearview camera”, to the **Yellow** RCA jack from the 12-pin backup camera harness.
- Disregard the **Yellow** RCA jack labeled “AUX video”, it will not be used in this application.

Continue to 3.5mm jack steering wheel control retention

Attention! This interface will work with models that are either Sony amplified, or non-amplified. Please follow the instructions carefully for your model vehicle. Failure to do so will result in either no sound, or low sound. If you are unsure if your vehicle is factory amplified or not, please contact your local dealership.

For models *with* a Sony amplifier:

From the 16-pin harness with stripped leads to the aftermarket radio:

- Connect the **Red** wire to the accessory wire.
- Connect the **Blue/White** wire to the amp turn on wire. This wire must be connected to hear sound from the factory amplifier.
- If the aftermarket radio has an illumination wire, connect the **Orange/White** wire to it.
- Connect the **Gray** wire to the right front positive speaker output.
- Connect the **Gray/Black** wire to the right front negative speaker output.
- Connect the **White** wire to the left front positive speaker output.
- Connect the **White/Black** wire to the left front negative speaker output.
- Connect the **Green** wire to the left rear positive speaker output.
- Connect the **Green/Black** wire to the left rear negative speaker output.
- Connect the **Purple** wire to the right rear positive speaker output.
- Connect the **Purple/Black** wire to the right rear negative output.

Continued on the next page

CONNECTIONS (CONT.)

The following (3) wires are only for multimedia/navigation radios that require these wires.

- Connect the **Blue/Pink** wire to the VSS/speed sense wire.
- Connect the **Green/Purple** wire to the reverse wire.
- Connect the **Light Green** wire to the parking brake wire.

- Tape off and disregard the following (1) wire, it will not be used in this application: **Brown**

From the 5851 harness to the aftermarket radio:

- Connect the **Black** wire to the ground wire.
- Connect the **Yellow** wire to the battery wire.
- Connect the **Blue** wire to the power antenna wire.
- Disregard the **Red** and **White** RCA jacks labeled “RSE/SYNC/SAT”, they will not be used in this application.
- Disregard the **Red** and **White** RCA jacks labeled “FROM 3.5”, they will not be used in this application.
- Tape off and disregard the following (4) wires, they will not be used in this application:

Green, Green/Black, Purple, Purple/Black

54-pin backup camera harness:

There are two different methods for connecting the factory backup camera.

If retaining the camera to the aftermarket radio is desired:

- Connect the **Yellow** RCA jack the backup camera input of the aftermarket radio.

If retaining the camera to the touchscreen display is desired:

- Connect the **Yellow** RCA jack, to the **Yellow** RCA jack from the *4-pin harness with yellow RCA jacks* labeled “Rearview camera”.

Note: If this method is chosen, the backup camera option must be enabled in *Configuration Settings*.

4-pin harness with yellow RCA jacks:

- Connect the **Yellow** RCA jack labeled “Rearview camera”, to the **Yellow** RCA jack from the *54-pin backup camera harness*.
- Disregard the **Yellow** RCA jack labeled “AUX video”, it will not be used in this application.

Continue to 3.5mm jack steering wheel control retention

3.5mm jack steering wheel control retention:

- The 3.5mm jack is to be used to retain audio controls on the steering wheel control.
 - For the radios listed below, connect the *female 3.5mm connector with stripped leads*, to the male 3.5mm SWC jack from the 5851 harness. Any remaining wires tape off and disregard:
 - Eclipse:** Connect the steering wheel control wire, normally **Brown**, to the **Brown/White** wire from the connector. Then connect the remaining steering wheel control wire, normally **Brown/White**, to the **Brown** wire from the connector.
 - Metra OE:** Connect the steering wheel control Key 1 wire (**Gray**) to the **Brown** wire.
 - Kenwood or select JVC with a steering wheel control wire:** Connect the **Blue/Yellow** wire to the **Brown** wire.

Note: If the Kenwood radio auto detects as a JVC, manually set the radio type to Kenwood. See the instructions under *changing radio type*.
 - XITE:** Connect the steering wheel control SWC-2 wire from the radio to the **Brown** wire.
 - Parrot Asteroid Smart or Tablet:** Connect the 3.5mm jack into the AX-SWC-PARROT (sold separately), and then connect the 4-pin connector from the AX-SWC-PARROT into the radio.
- Note:** The radio must be updated to rev. 2.1.4 or higher software.
- Universal "2 or 3 wire" radio:** Connect the steering wheel control wire, referred to as Key-A or SWC-1, to the **Brown** wire from the connector. Then connect the remaining steering wheel control wire, referred to as Key-B or SWC-2, to the **Brown/White** wire from the connector. If the radio comes with a third wire for ground, disregard this wire.
- Note:** After the interface has been programmed to the vehicle, refer to the manual provided with the radio for assigning the SWC buttons. Contact the radio manufacturer for more information.
- For all other radios:** Connect the 3.5mm jack from the 5851 harness into the jack on the radio designated for an external steering wheel control interface. Refer to the manual provided with the radio if in doubt as to where the 3.5mm jack goes to.

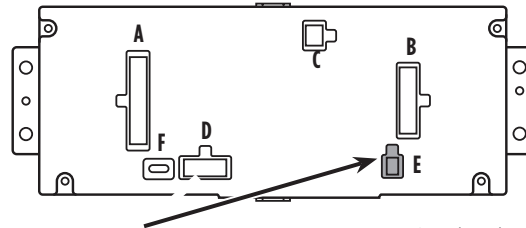
It is highly advisable to read the following steps beforehand, to ensure a clear understanding of what is to be expected. The following steps must be done in the order that they are numbered.

With the vehicle completely off:

Touchscreen display

- Connect the *16-pin harness with stripped leads* into port "B" in the touchscreen display.
- Connect the 5851 harness to the wiring harnesses in the vehicle*, then insert the 5851 harness into port "A" in the touchscreen display. But do not connect this harness until exactly before step 1 of "Programming the Interface". This is a timed process.

*These harnesses are the ones removed in step 8 of dash disassembly.
- Connect the *4-pin harness with yellow RCA jacks* into port "C" in the touchscreen display.
- Disregard port "E", it will not be used in this application.
- Port "F" is an update port for future firmware upgrades.



Note: DO NOT CONNECT!

Continued on the next page

INSTALLATION (CONT.)

HVAC interface

6. Connect the *HVAC interface harness* into the *HVAC interface*, and then to the wiring harnesses in the vehicle. These harnesses are the ones removed in step 6 of dash disassembly.
7. Connect the *10-pin to 12-pin adapter harness* to the *HVAC interface harness*, and then into port “D” in the touchscreen display.
8. Connect the 6-pin connector from the *5851 harness* into the *HVAC interface*.
9. Connect the *4-pin flat to 4-pin stacked harness* into the *HVAC interface*, and then into the passenger airbag light assembly.
10. Connect the backup camera harness to the wiring harness in the vehicle:
For vehicles equipped with a 4.2-inch display screen: Connect the *12-pin backup camera harness* to the wiring harness in the vehicle. This harness is the one removed in step 7 of dash disassembly.
For vehicles equipped with an 8-inch display screen: Connect the female connector from the *54-pin backup camera harness* to the wiring harness in the vehicle. This connector is located behind the factory display screen which was removed in step 7 of dash disassembly.
Note: Disregard the male connector, it will not be used in this application.
11. Locate the factory antenna connector in the dash and complete all necessary connections to the radio. Use the *antenna adapter* provided to adapt the factory antenna connector to the aftermarket radio.

PROGRAMMING

Attention! If the interface loses power for any reason, the following steps will need to be performed again.

1. Refer to step 2 from the “Installation” section.
2. Start the vehicle, then program the kit:
 - a. Once the touchscreen display loads up, select the vehicle type.
 - b. Wait until the radio comes on, and the touchscreen display shows “SWC Configured”. This process may take up to 3 minutes.

Note: If the touchscreen display does not load up, or the radio doesn’t come on within 3 minutes, and/or the touchscreen display does not show “SWC Configured*”, turn the vehicle off and disconnect the *5851 harnesses* from port “A” in the touchscreen display. Check all the connections, reconnect the harness into the touchscreen display, and then try again.

3. Cycle the key off, then back on. If the driver’s door is closed, open and close the door.
4. Test all functions of the installation for proper operation, before reassembling the dash.

FINAL ASSEMBLY

1. Secure the completed assembly into the dash using the factory screws removed in dash disassembly.
2. Snap the *radio trim panel with touchscreen display* over the completed assembly, and then reassemble the dash in reverse order of disassembly.

EXTRA FEATURES

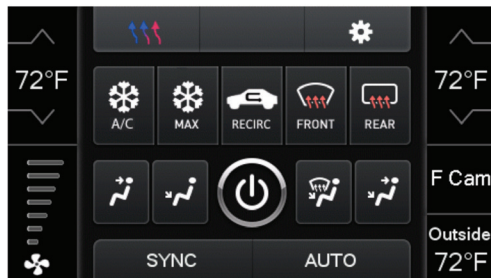
SYNC (4.2-inch display screen models only):

If the vehicle is equipped with SYNC and a 4.2" display screen, the 99-5851CH can retain the SYNC feature.

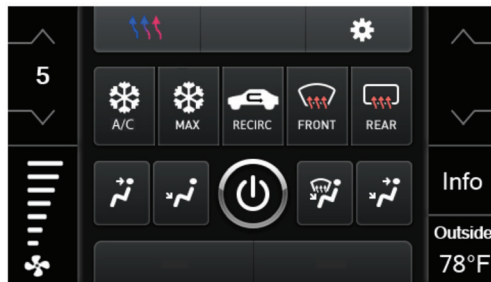
1. Change the source of the radio to AUX-IN.
2. Press the "Info" button on the touchscreen display to enter the SYNC menu.
3. Press the "HVAC" button to get back to the main menu.

TOUCHSCREEN DISPLAY OPERATION

Climate Control Operation



Auto Climate Control Screen (8-inch display screen models)

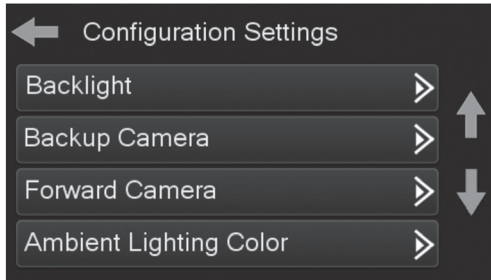


Manual Climate Control Screen (4.2-inch display screen models)

- This is the climate control screen which will be displayed on the touchscreen display. This is considered the main screen.
- The upper left tab with (3) arrows will take you to the **Heated/Cooled** seats screen, if applicable.
Note: This screen will also include Heated Steering if applicable.
- The upper right tab with the gear icon will take you to the **Configuration Settings** screen.
- **Auto climate models:** The climate controls will function in the same manner that they did with the factory climate controls.
Note: The “F Cam” button will only be shown if the vehicle is equipped with a front camera.
- **Manual climate models:** The climate controls will function in the same manner that they did with the factory climate controls, yet via touchscreen buttons instead. The temperature control will display a numerical scale, with “LO” being the coldest, and “HI” being the hottest: LO / 1-9 / HI
Note: The “Info” button will only be shown if SYNC is to be retained.

Continued on the next page

Configuration Settings



- **Backlight**
 - Four slide bars control the color of the buttons and the back-light intensity: Red / Green / Blue / Backlight
- **Backup Camera**
 - Enable – Enables the backup camera image to the touchscreen display
 - Disable – Disables the backup camera image to the touchscreen display (default)
- **Forward Camera** (8-inch display screen models only)
 - To direct where the camera image will be shown, or to disable the camera
- **Ambient Lighting Color**
 - For adjusting the ambient light color in the vehicle

- **Steering Wheel Controls**

- Remap Buttons – For remapping the steering wheel control buttons
- Dual Assign – For dual assigning the steering wheel control buttons (long button press)
- Select Radio – For auto detecting the radio, or changing the radio type

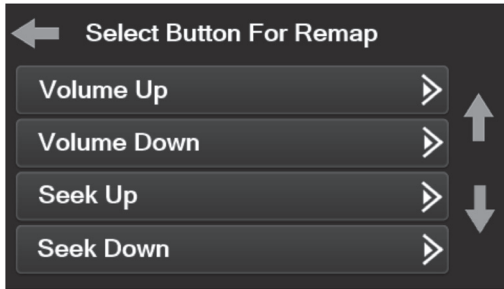
- **System Configuration**

- About - Information regarding the software in the kit
- Temperature Unit - To change between Celsius and Fahrenheit
- Digital Amp Gain - For adjusting the output gain to the amplifier
- Reset Vehicle Type - To reset the kit to default settings

Continued on the next page

STEERING WHEEL CONTROL SETTINGS

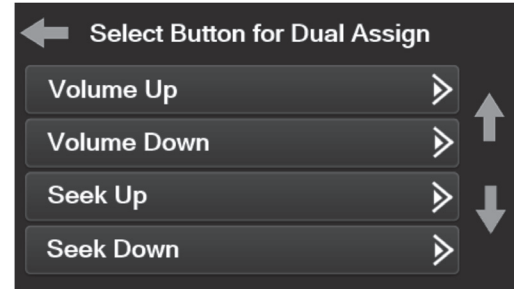
Remap Buttons



- The interface has the ability to change the button assignment for the steering wheel control audio buttons, except Volume-Up and Volume-Down. Follow the prompts on the touchscreen display to remap the steering wheel control audio button(s).

Note: The aftermarket radio may not have all of these commands. Please refer to the manual provided with the radio, or contact the radio manufacturer, for specific commands recognized by that particular radio.

Dual Assign



- The interface has the capability to assign (2) functions to a single button, except Volume-Up and Volume-Down. Follow the prompts on the touchscreen display to program the button(s) to the desired setting.

Note: Seek-Up and Seek-Down come programmed as Preset-Up and Preset-Down for a long button press.

Continued on the next page

STEERING WHEEL CONTROL SETTINGS (CONT.)

Select Radio



- To show which brand radio is “auto detected” to the interface, press the “Autodetect” button. The radio detected will have a filled in circle. If the incorrect radio is shown, select the proper radio.
- Following is a legend that dictates the radio Manufacturers that the interface presently acknowledges. Others may be added at a later date. Universal “2 or 3 wire” radios can show up as any of these radio Manufacturers.

Eclipse (Type 1) †	Pioneer/Jensen	Clarion (Type 2) †	Parrot **
Kenwood ‡	Alpine *	Metra OE	XITE
Clarion (Type 1) †	Visteon	Eclipse (Type 2) †	Philips
Sony / Dual	Valor	LG	JBL
JVC			

*** Note:** If the interface shows an Alpine radio, and you do not have an Alpine radio, that means the interface does not detect a radio connected it, i.e., an open connection. Verify that the 3.5mm jack is connected to the correct steering wheel jack/wire in the radio.

**** Note:** The AX-SWC-PARROT is required (sold separately). Also, the Parrot radio must be updated to rev. 2.1.4 or higher through www.parrot.com.

† Note: If you have a Clarion radio and the steering wheel controls do not work, change the radio type to the other Clarion radio type; same for Eclipse.

‡ Note: If you have a Kenwood radio and the touchscreen display shows a JVC radio, change the radio type to Kenwood.

TROUBLESHOOTING

Resetting the interface

1. With the vehicle running, press the “Reset Vehicle Type” button mentioned in “System Configuration”.
2. Refer to “Programming”, step 2, from this point.



99-5851CH
INSTALLATION INSTRUCTIONS



IMPORTANT

If you are having difficulties with the installation of this product, please call our Tech Support line at 1-800-253-TECH. Before doing so, look over the instructions a second time, and make sure the installation was performed exactly as the instructions are stated. Please have the vehicle apart and ready to perform troubleshooting steps before calling.



KNOWLEDGE IS POWER

Enhance your installation and fabrication skills by enrolling in the most recognized and respected mobile electronics school in our industry. Log onto www.installerinstitute.com or call 800-354-6782 for more information and take steps toward a better tomorrow.



**Metra recommends MECP
certified technicians**