



Mitsubishi **Mirage 2017-2020**

Mitsubishi **Mirage G4 2018-2020**

Visit MetraOnline.com for more detailed information about the product and up-to-date vehicle specific applications

KIT FEATURES

- ISO DIN radio provision with pocket
- High polished processing provides a gloss black finish that's similar to both the aftermarket radio and factory finish.

KIT COMPONENTS

- A) Radio trim panel • B) Radio brackets • C) Pocket • D) Phillips screws (8)

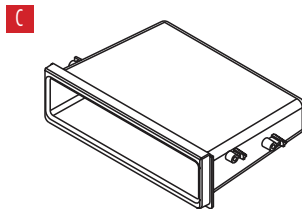
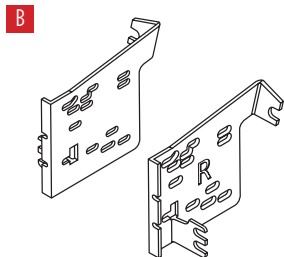
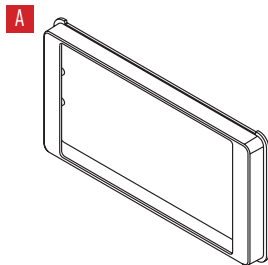


TABLE OF CONTENTS

Dash Disassembly	2
Kit Assembly	3

WIRING & ANTENNA CONNECTIONS (sold separately)

See metra-online.com or axessinterfaces.com for audio and SWC interface options
 Wiring harness: 70-7005
 Antenna Adapter: Not required

TOOLS REQUIRED

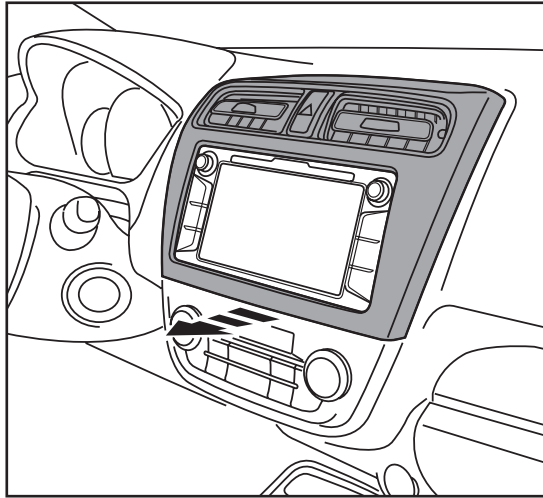
- Panel removal tool • Socket wrench
- Phillips screwdriver

Attention! Let the vehicle sit with the key out of the ignition for a few minutes before removing the factory radio. When testing the aftermarket equipment, ensure that all factory equipment is connected before cycling the key to ignition.

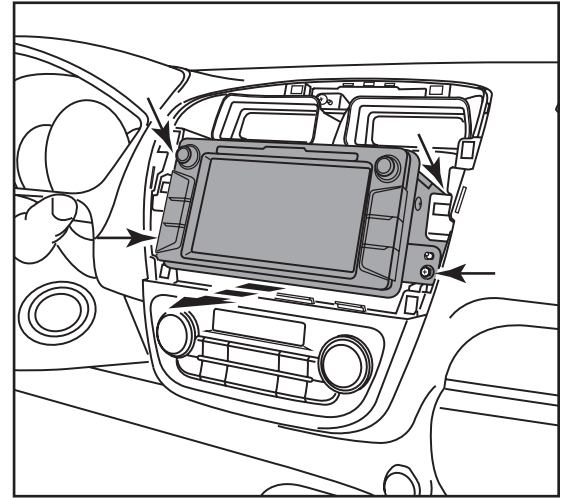
DASH DISASSEMBLY

1. Unclip and remove the trim panel surrounding the radio including the vents. (Figure A)
2. Remove (4) screws securing the radio. Slide the radio out, then unplug and remove. (Figure B)

Continue to Kit Assembly



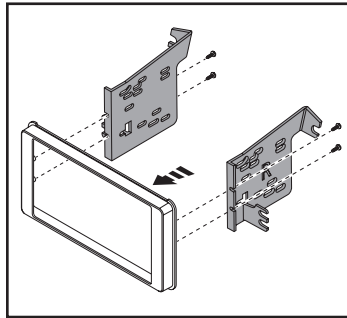
(Figure A)



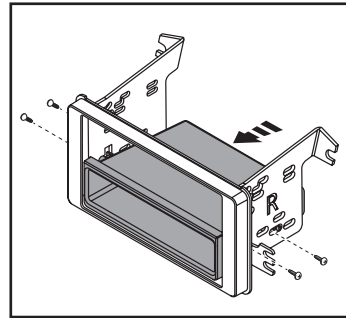
(Figure B)

KIT ASSEMBLY

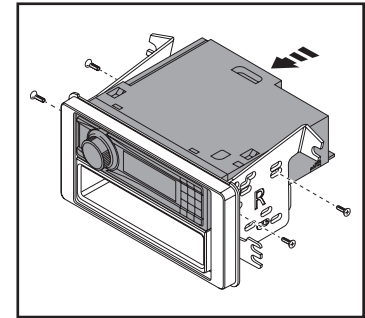
1. Attach the **radio brackets** to the **radio trim panel** using (4) #8 x 3/8" Phillips screws supplied. (Figure A)
2. Attach the **pocket** to the **brackets** using the (4) supplied #8 x 3/8" Phillips screws. (Figure B)
3. Slide the radio into the completed assembly, and then secure it to the assembly using screws supplied with the radio. (Figure C)
4. Locate the factory wiring harness and antenna connector in the dash, and complete all necessary connections to the radio. Metra recommends using the proper mating adapter from Metra and/or AXXESS. Re-connect the negative battery terminal and test the radio for proper operation.
5. Reassemble the dash in reverse order of disassembly.



(Figure A)



(Figure B)



(Figure C)



95-7019
INSTALLATION INSTRUCTIONS



Having difficulties? We're here to help.



Contact our Tech Support line at:

386-257-1187



Or via email at:

techsupport@metra-autosound.com

Tech Support Hours (Eastern Standard Time)

Monday - Friday: 9:00 AM - 7:00 PM

Saturday: 10:00 AM - 7:00 PM

Sunday: 10:00 AM - 4:00 PM



® KNOWLEDGE IS POWER

Enhance your installation and fabrication skills by enrolling in the most recognized and respected mobile electronics school in our industry. Log onto www.installerinstitute.com or call 800-354-6782 for more information and take steps toward a better tomorrow.



**Metra recommends MECP
certified technicians**