



## INSTALLATION INSTRUCTIONS FOR PART 99-7333

### APPLICATIONS

# HYUNDAI Sonata 2009-10

## 99-7333

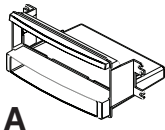
### KIT FEATURES

- DIN Radio Provision With Pocket
- ISO Radio Provision With Pocket
- Painted To Match Factory Bronze Dash

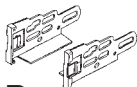


### KIT COMPONENTS

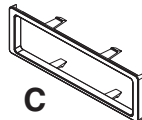
A) Radio Housing • B) ISO Brackets • C) Trim Plate



A



B



C

### Wiring & Antenna Connections (sold separately)

- 70-7303 - Hyundai / Kia Harness 2009
- 40-K111 - Kia Antenna Adapter 2007-up

### TOOLS REQUIRED:

- Small Flat Blade Screwdriver • Panel Removal Tool
- Phillips Screwdriver



1-800-221-0932



[www.metraonline.com](http://www.metraonline.com)

© COPYRIGHT 2010 METRA ELECTRONICS CORPORATION



**TABLE OF CONTENTS**

**Dash Disassembly**

**- Hyundai Sonata 2009 -10.....1,2**

**Kit Assembly**

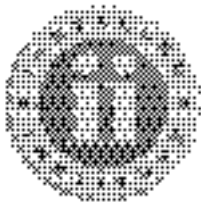
**- DIN Radio Provision With Pocket..... 3**

**- ISO Radio Provision With Pocket..... 4**

**Final Assembly ..... 5**

**\*Note:**

**Refer also to the instructions included with the aftermarket radio.**



**KNOWLEDGE IS POWER**

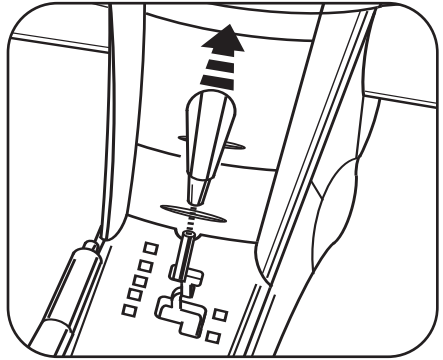
Enhance your installation and fabrication skills by enrolling in the most recognized and respected mobile electronics school in our industry. Log onto [www.metradefenselect.com](http://www.metradefenselect.com) or call 800-809-8787 for more information and take steps toward a better tomorrow.

**HYUNDAI SONATA 2009-10**

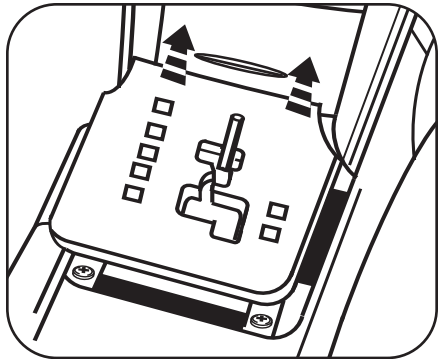
- 1** Disconnect the negative battery terminal to prevent an accidental short circuit.
- 2** Remove shifter knob from stem.  
(Figure A)
- 3** Unclip and remove the shifter trim panel.  
(Figure B)
- 4** Unclip and remove the (2) side trim panels from the center console area.  
(Figure C)

*Continued on page 2.*

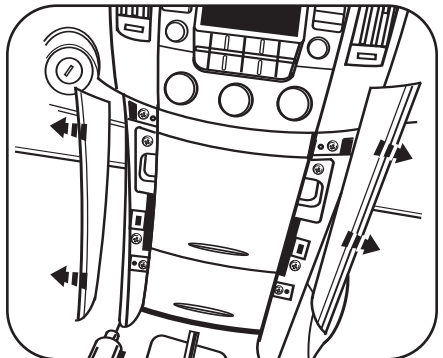
**A**



**B**



**C**



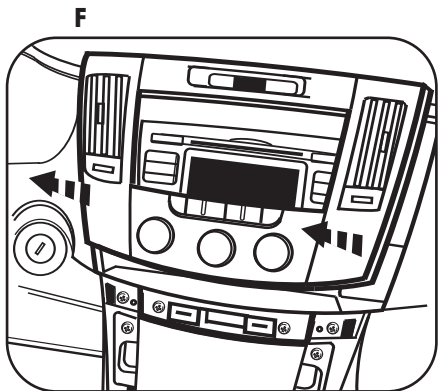
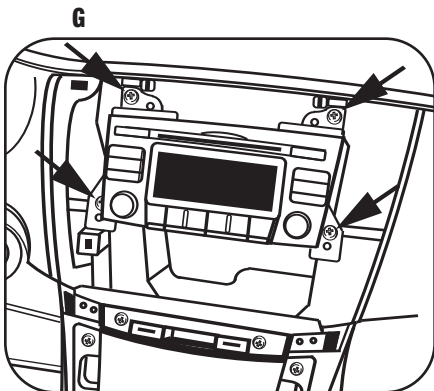
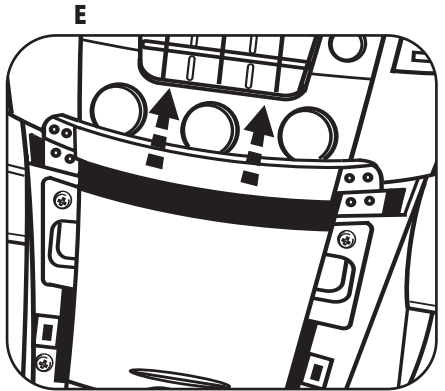
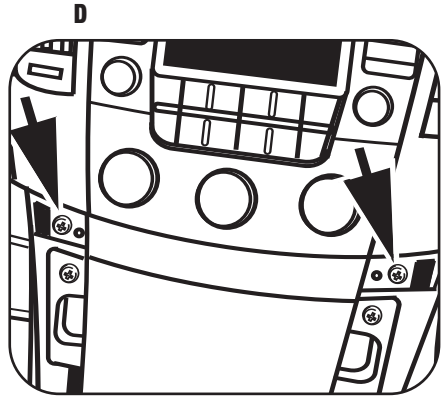
**HYUNDAI SONATA 2009-10**

**5** Remove (2) Phillips screws then unclip and remove the small trim panel below the factory climate controls and above the pocket. (Figure D,E)

**6** Unclip and remove the trim panel surrounding the radio and including the climate controls and vents. (Figure F)

**7** Remove (4) Phillips screws securing the radio. Unplug and remove the radio. (Figure G)

*Continue to kit assembly.*

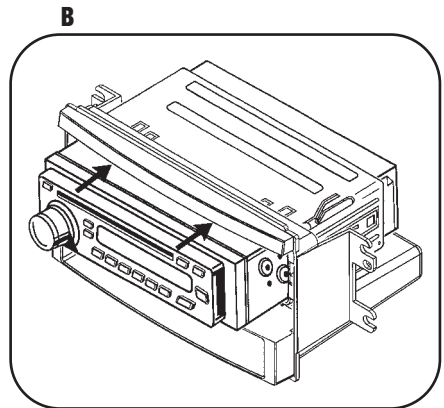
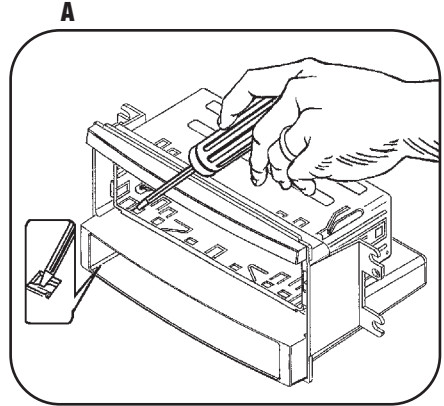


## DIN RADIO PROVISION WITH POCKET

*\*Note: Refer also to the instructions included with the aftermarket radio.*

- 1** Slide the DIN cage into the Radio Housing and secure by bending the metal locking tabs down. (Figure A)
- 2** Slide the aftermarket radio into the cage and secure. (Figure B)

*Continue to final assembly.*



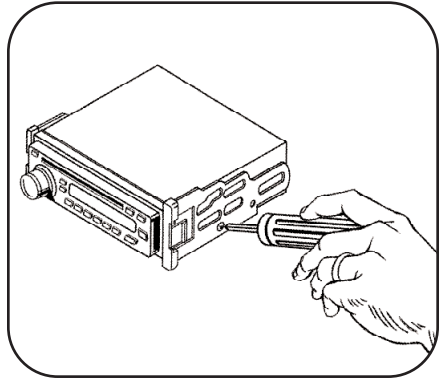
## ISO RADIO PROVISION WITH POCKET

*\*Note: Refer also to the instructions included with the aftermarket radio.*

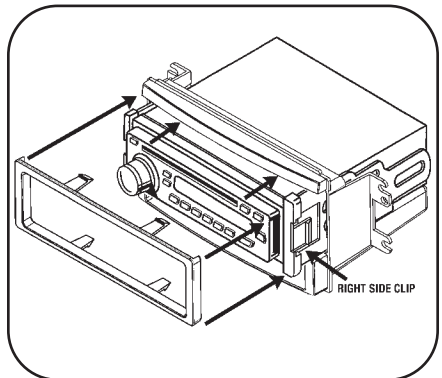
- 1** Mount the ISO Brackets to the aftermarket radio using the screws supplied with the radio. (Figure A)
- 2** Slide the radio into the radio opening until the side clips snap into place. (Figure B)
- 3** Snap the trim plate into the Radio Housing. (Figure B)

*Continue to final assembly.*

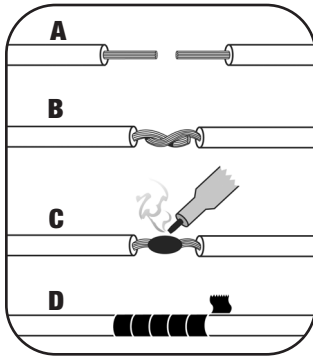
**A**



**B**



# FINAL ASSEMBLY



**(A) Strip wire ends back 1/2"**

**B) Twist ends together**

**C) Solder**

**D) Tape**

- 1** Locate the factory wiring harness in the dash. Metra recommends using the proper mating adapter and making connections as shown. (Isolate and individually tape off the ends of any unused wires to prevent electrical short circuit.)
- 2** Re-connect the negative battery terminal and test the unit for proper operation.
- 3** Reassemble radio and dash assemblies in reverse order of disassembly.

## FINAL WIRING CONNECTIONS

Make wiring connections using the EIA color code chart shown below and the instructions included with the head unit. Metra recommends making connections as shown below; Strip, Splice, Solder, Tape. Isolate and individually tape off ends of any unused wires to prevent electrical short circuit.

### METRA / EIA WIRING CODE

12V Ignition / Acc. . . . . Red	Right Front (+) . . . . . Gray
12V Batt / Memory . . . . . Yellow	Right Front (-) . . . . . Gray/ Black
Ground . . . . . Black*	Left Front (+) . . . . . White
Power Antenna . . . . . Blue	Left Front (-) . . . . . White / Black
Amp Turn-On . . . . . Blue / White	Right Rear (+) . . . . . Violet
Amp Ground . . . . . Black / White	Right Rear (-) . . . . . Violet / Black
Illumination . . . . . Orange	Left Rear (+) . . . . . Green
Dimmer . . . . . Orange / White	Left Rear (-) . . . . . Green / Black

**\*NOTE:** When a Black wire is not present, ground radio to vehicle chassis.  
All colors may not be present on all leads due to manufacturer's specifications.

# 99-7333 INSTRUCTIONS



**1-800-221-0932**



**[www.metraonline.com](http://www.metraonline.com)**

REV. 04/30/10 © COPYRIGHT 2010 METRA ELECTRONICS CORPORATION INST99-7333