



Hyundai Sonata 2018-up*

*Visit MetraOnline.com for up-to-date vehicle specific applications.

KIT FEATURES

- ISO DIN radio provision with pocket
- Painted matte black and silver

KIT COMPONENTS

- A) Radio trim panel A • B) Radio trim panel B • C) Radio brackets • D) Pocket • E) (4) #8 x 3/8" Phillips screws

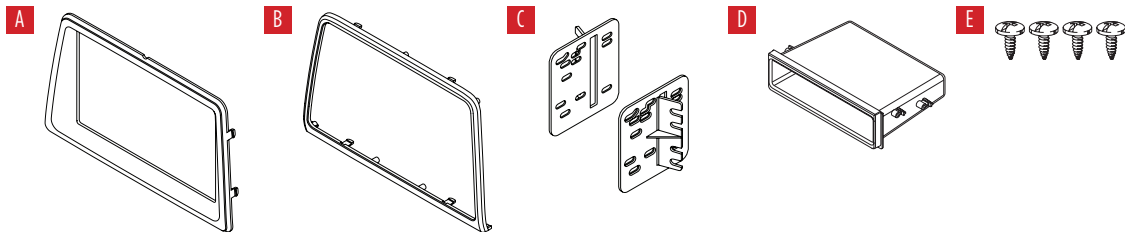


TABLE OF CONTENTS

Dash Disassembly	2-3
Kit Preparation	4
Kit Assembly	5

WIRING & ANTENNA CONNECTIONS (sold separately)

Wiring Harness: Please visit metraonline.com for wiring harness options

Antenna Adapter: Please visit metraonline.com for antenna adapter options

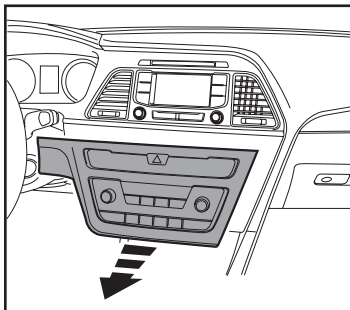
TOOLS REQUIRED

- Panel removal tool • Phillips screwdriver
- Cutting tool

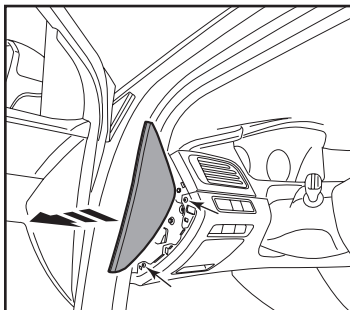
CAUTION! All accessories, switches, climate controls panels, and especially air bag indicator lights must be connected before cycling the ignition. Also, do not remove the factory radio with the key in the on position, or while the vehicle is running.

DASH DISASSEMBLY

1. Unsnap and remove the climate/hazard/clock panel. (Figure A)
2. Unsnap and remove the trim panel on the drivers side of the dash and then remove (2) Phillips screws. (Figure B)



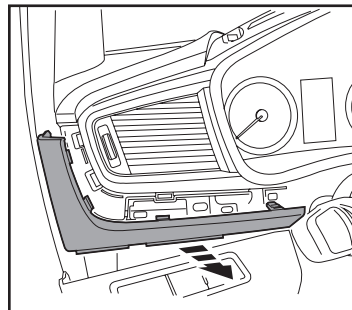
(Figure A)



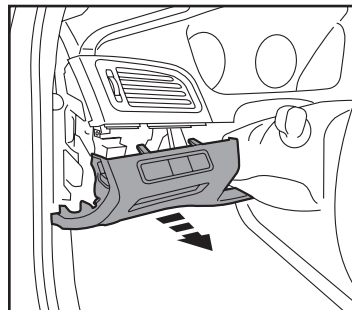
(Figure B)

3. Unclip and remove the panel below the left a/c vent, then remove (1) Phillips screw. (Figure C)
4. Unsnap the knee panel from under the steering wheel. (no need to completely remove this panel). (Figure D)

Continued on the next page



(Figure C)



(Figure D)

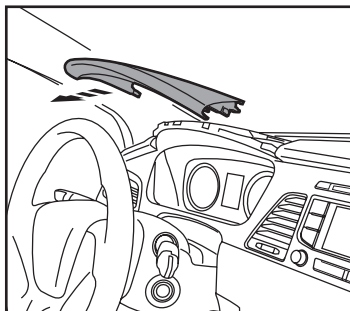
DASH DISASSEMBLY (CONT.)

5. Unsnap and remove the panel above the instrument cluster. (Figure D)
6. Unsnap the top half of the steering column cover. (Figure E)
7. Remove (4) screws to remove the radio panel; (2) under the radio section, and (2) above the instrument cluster. (Figure F)

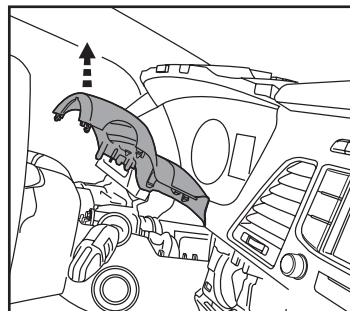
Note: The top of the steering column cover will come with the large panel.

8. Remove (4) Phillips screws securing the radio and then remove the radio.

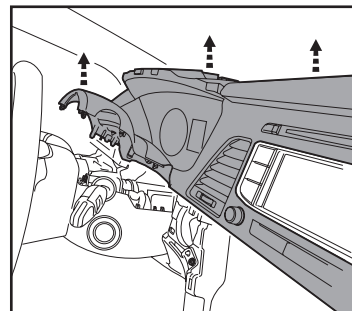
Continue to Kit Preparation



(Figure D)



(Figure E)



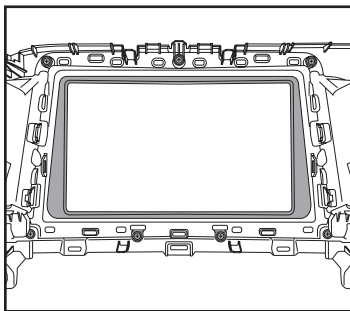
(Figure F)

KIT PREPARATION

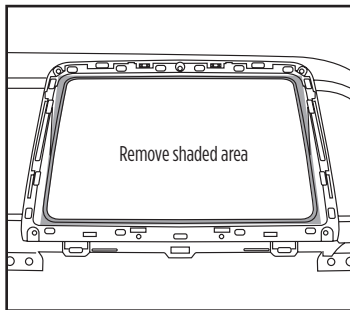
Attention! The factory panel will be permanently modified after following these steps.

1. Remove (4) Phillips screws securing the bottom of the vents, then unsnap and remove them.
2. Remove (7) Phillips screws securing the radio trim panel to the radio panel, then remove the trim panel. (Figure A)
3. Cut the opening as shown (front of dash panel shown) to allow room for the new radio trim panel. (Figure B)
4. Attach the radio trim panels to the radio panel, then secure with the (7) factory screws. (Figure C)

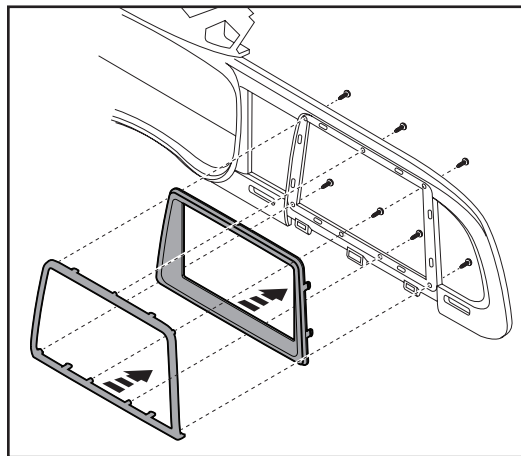
Continue to Kit Assembly



(Figure A)



(Figure B)

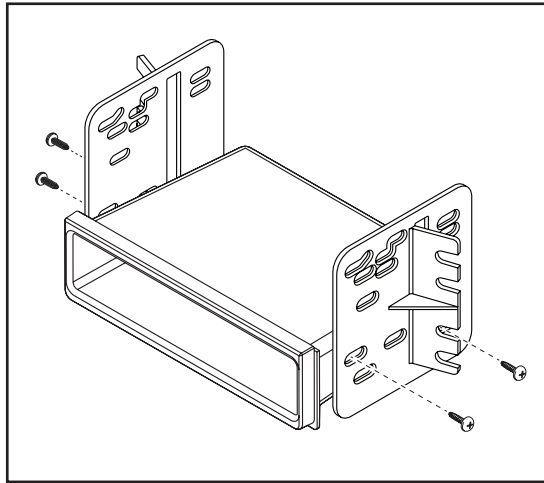


(Figure C)

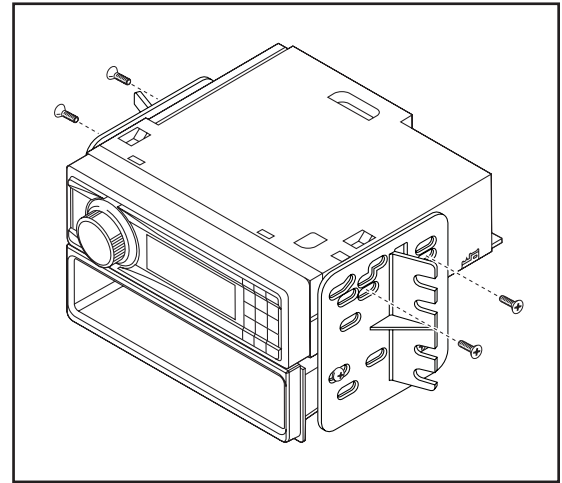
KIT ASSEMBLY

ISO DIN radio provision with pocket

1. Secure the *pocket* to the radio brackets using the (4) #8 x 3/8" Phillips screws supplied. (Figure A)
2. Remove the metal DIN sleeve and trim ring from the aftermarket radio.
3. Slide the radio into bracket/pocket assembly and secure with screws supplied with the radio. (Figure B)
4. Locate the factory wiring harness and antenna connector in the dash, and complete all necessary connections to the radio. Metra recommends using the proper mating adapter from Metra and/or AXXESS. Test the radio for proper operation.
5. Secure the completed assembly into the dash using the factory screws.
6. Reassemble the dash in reverse order of disassembly to complete the installation.



(Figure A)



(Figure B)







99-7383
INSTALLATION INSTRUCTIONS



IMPORTANT

If you are having difficulties with the installation of this product, please call our Tech Support line at 1-800-253-TECH. Before doing so, look over the instructions a second time, and make sure the installation was performed exactly as the instructions are stated. Please have the vehicle apart and ready to perform troubleshooting steps before calling.



KNOWLEDGE IS POWER

Enhance your installation and fabrication skills by enrolling in the most recognized and respected mobile electronics school in our industry. Log onto www.installerinstitute.com or call 800-354-6782 for more information and take steps toward a better tomorrow.



Metra recommends MECP certified technicians