



INSTALLATION INSTRUCTIONS FOR PART 99-7421

APPLICATIONS Nissan Maxima 2007-2008

(without navigation)

99-7421

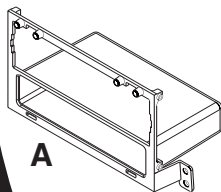
KIT FEATURES

- DIN Mount Radio Provision with Pocket
- ISO Mount Radio Provision with Pocket
- Double DIN Mount Radio Provision
- Stacked ISO Units Provision

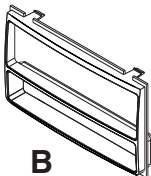


KIT COMPONENTS

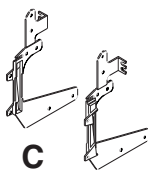
- A) Radio Housing • B) Radio Housing Trimplate • C) Radio Housing Brackets
 • D) Double DIN Trim Plate • E) (4) #8 3/8" Screws • F) ISO Brackets



A



B



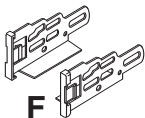
C



D



E



F

WIRING AND ANTENNA CONNECTIONS (Sold Separately)

Harness:

- 70-7552 - Nissan harness 2007-up
- NIRD-01 - Nissan display and Bluetooth retention harness 2007-08

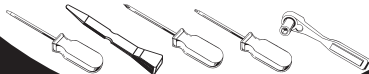
Antenna Adapter:

- 40-NH12 - Nissan antenna adapter 2007-up

TOOLS REQUIRED:

Small Flat Blade Screwdriver/ Panel Removal Tool

- Phillips Screwdriver • Torx Driver • Socket Set



1-800-221-0932



www.metraonline.com

© COPYRIGHT 2004-2009 METRA ELECTRONICS CORPORATION



TABLE OF CONTENTS

Dash Disassembly

- Nissan Maxima 2007-2008..... 1,2

Kit Assembly

- DIN Mount Radio Provision with Pocket..... 3
- ISO Mount Radio Provision with Pocket..... 4
- Double DIN Radio Provision 5
- Stacked ISO Units Provision 6

Final Assembly 7

***Note:**

Refer also to the instructions included with the aftermarket radio.

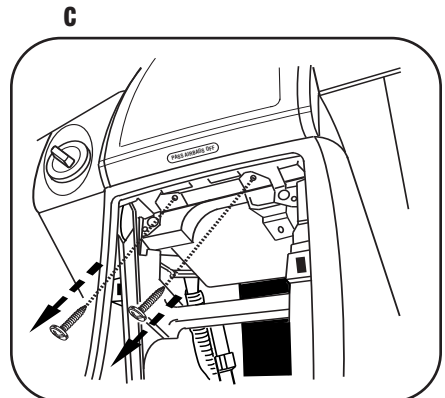
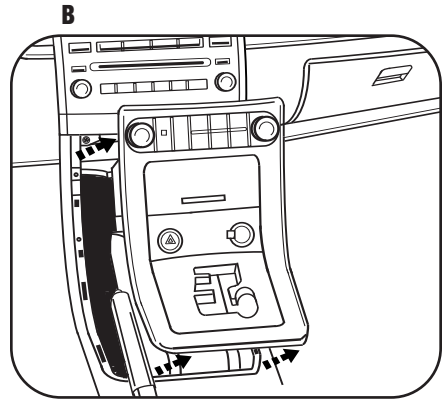
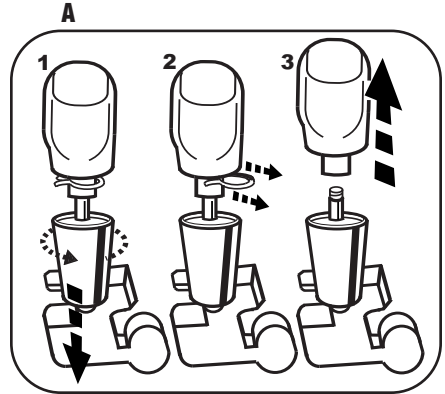


KNOWLEDGE IS POWER

Enhance your installation and fabrication skills by enrolling in the most recognized and respected mobile electronics school in our industry. Log onto www.installerinstitute.com or call 800-354-6782 for more information and take steps toward a better tomorrow.

NISSAN MAXIMA 2007-2008

- 1** Disconnect the negative battery terminal to prevent an accidental short circuit.
- 2** Unlock the collar below shifter knob by turning collar counter clockwise and slide collar down. Using a small screwdriver or hook tool remove the spring clip to release and remove the shifter knob. (Figure A)
- 3** Unclip center console trim panel around shifter including a/c controls. Unplug and remove center console trim panel. (Figure B)
- 4** Remove (2) Phillips screws facing upward on bottom of trim panel surrounding the radio including the a/c vents. (Figure C)



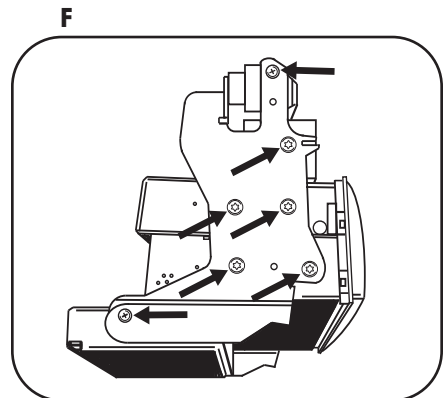
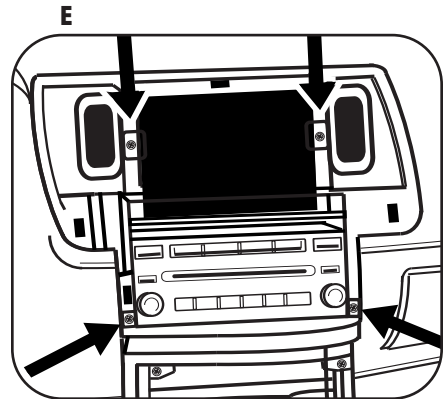
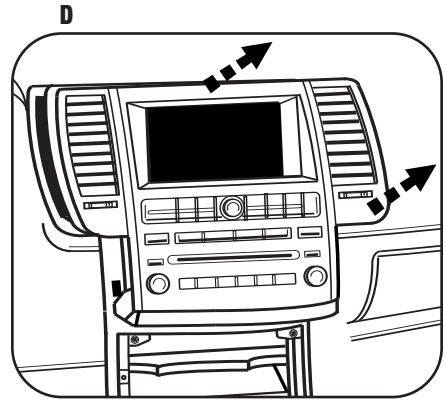
NISSAN MAXIMA 2007-2008

5 Unclip and remove the trim panel surrounding the radio including the a/c vents. (Figure D)

6 Remove (4) Phillips screws securing the radio/display assembly. Unplug and remove the radio/display assembly. (Figure E)

7 Remove (2) Phillips screws and (5) Torx screws (per side) securing the factory brackets to the radio/display assembly. (Retain screws, factory brackets, 2 displays and A/C amplifier for use during kit assembly.) (Figure F)

Continue to kit assembly.



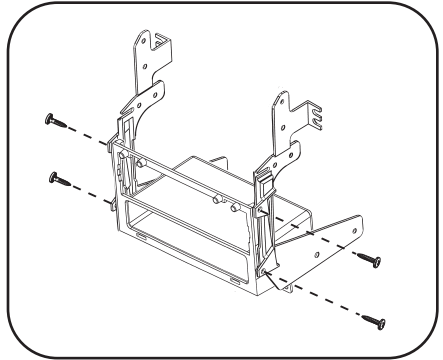
DIN RADIO PROVISION WITH POCKET

**Note: Refer also to the instructions included with the aftermarket radio.*

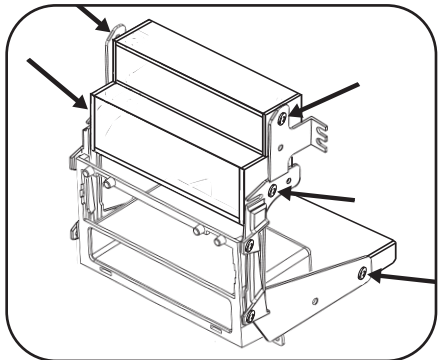
- 1 Attach the (2) radio housing brackets to the radio housing using the (4) #8 3/8" screws supplied with the kit. (Figure A)
- 2 Secure the 2 displays and A/C amplifier into the radio housing/bracket assembly using the factory hardware. (Figure B)
- 3 Slide the DIN cage into the Radio Housing and secure by bending the metal locking tabs outward. (Figure C)
- 4 Slide the aftermarket radio into the cage until it snaps into place. (Figure D)
- 5 Attach the radio housing trim plate supplied with the kit. (Figure D)

Continue to final assembly.

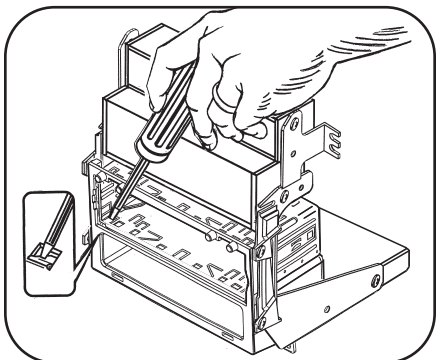
A



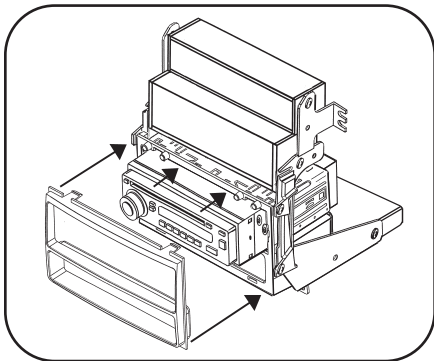
B



C



D



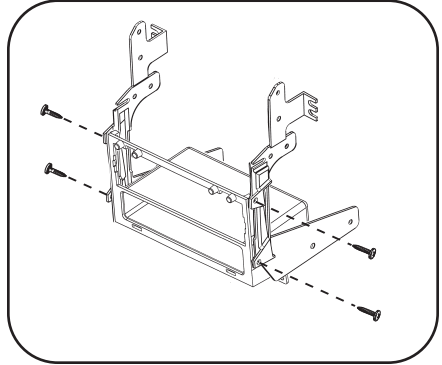
ISO RADIO PROVISION WITH POCKET

**Note: Refer also to the instructions included with the aftermarket radio.*

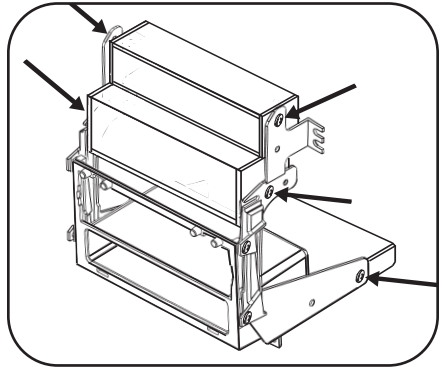
- 1 Attach the (2) radio housing brackets to the radio housing using the (4) #8 3/8" screws supplied with the kit. (Figure A)
- 2 Secure the 2 displays and A/C amplifier into the radio housing/bracket assembly using the factory hardware. (Figure B)
- 3 Mount the ISO Brackets to the aftermarket radio using the screws supplied with the radio. (Figure C)
- 4 Slide aftermarket radio into the radio housing until the side clips engage. (Figure D)
- 5 Attach the radio housing trim plate supplied with the kit. (Figure D)

Continue to final assembly.

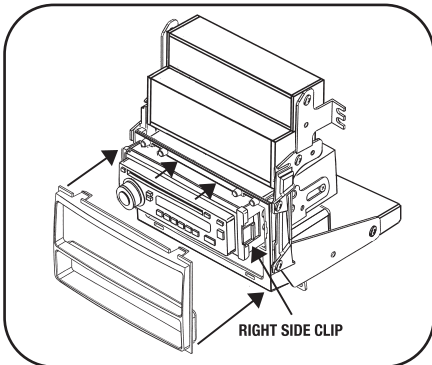
A



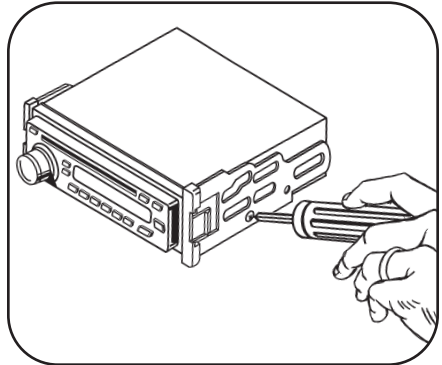
B



D



C



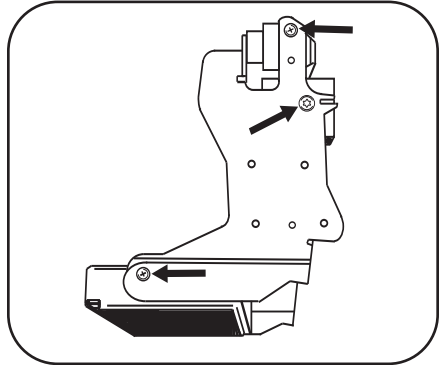
DOUBLE DIN MOUNT RADIO PROVISION

**Note: Refer also to the instructions included with the aftermarket radio.*

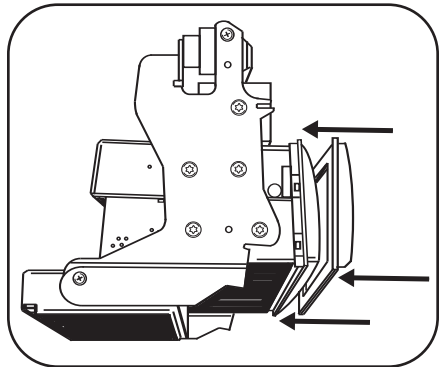
- 1** Re-attach the factory brackets to the 2 displays and A/C amplifier using the factory hardware. (Figure A)
- 2** Slide the Double DIN radio into the factory brackets and secure the unit to the brackets using the screws supplied with the radio. (Figure B)
- 3** Place the Double DIN trim plate over the face of the aftermarket radio. (Figure B)

Continue to final assembly.

A



B

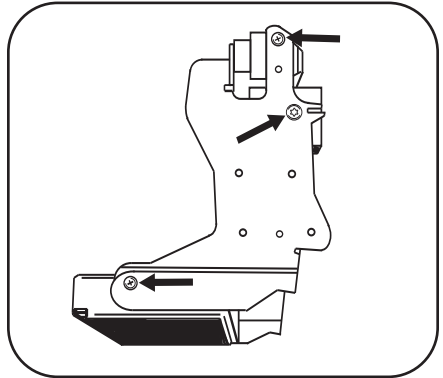
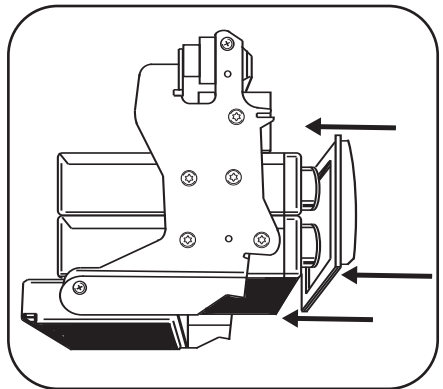


STACKED ISO UNITS PROVISION

**Note: Refer also to the instructions included with the aftermarket radio.*

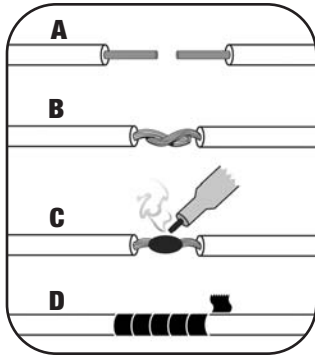
- 1** Re-attach the factory brackets to the 2 displays and A/C amplifier using the factory hardware. (Figure A)
- 2** Slide the stacked ISO mount units into the factory brackets and secure the units to the brackets using the screws supplied with the units. (Figure B)
- 3** Place the Double DIN trim plate over the face of the ISO mount units. (Figure B)

Continue to final assembly.

A**B**



FINAL ASSEMBLY



- (A) Strip wire ends back 1/2"**
- B) Twist ends together**
- C) Solder**
- D) Tape**

- 1** Locate the factory wiring harness in the dash. Metra recommends using the proper mating adapter and making connections as shown. (Isolate and individually tape off the ends of any unused wires to prevent electrical short circuit.)
- 2** Re-connect the negative battery terminal and test the unit for proper operation.
- 3** Reassemble radio and dash assemblies in reverse order of disassembly.

FINAL WIRING CONNECTIONS

Make wiring connections using the EIA color code chart shown below and the instructions included with the head unit. Metra recommends making connections as shown below; Strip, Splice, Solder, Tape. Isolate and individually tape off ends of any unused wires to prevent electrical short circuit.

METRA / EIA WIRING CODE

12V Ignition / Acc. Red	Right Front (+) Gray
12V Batt / Memory. Yellow	Right Front (-). Gray/ Black
Ground. Black*	Left Front (+) White
Power Antenna. Blue	Left Front (-). White / Black
Amp Turn-On Blue / White	Right Rear (+) Violet
Amp Ground. Black / White	Right Rear (-). Violet / Black
Illumination Orange	Left Rear (+) Green
Dimmer Orange / White	Left Rear (-). Green / Black

***NOTE:** When a Black wire is not present, ground radio to vehicle chassis.
All colors may not be present on all leads due to manufacturer's specifications.

99-7421 INSTRUCTIONS



1-800-221-0932



www.metraonline.com

REV. 06/25/09 © COPYRIGHT 2004-2009 METRA ELECTRONICS CORPORATION INST99-7421