



Mazda 5 (with factory NAV) 2008-2010

KIT FEATURES

- ISO DIN radio provision with pocket
- ISO DDIN radio provision
- Painted silver

KIT COMPONENTS

- A) Radio trim panel • B) Radio brackets • C) Pocket • D) (8) #8 x 3/8" Phillips screws

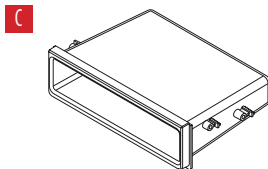
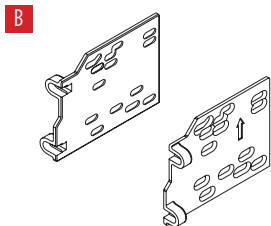
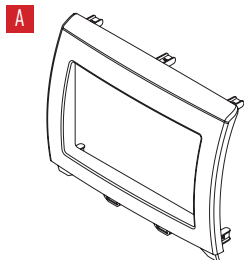


TABLE OF CONTENTS

Dash Disassembly	2-3
Kit Preparation	4
Kit Assembly	
–ISO DIN radio provision with pocket	5
–ISO DDIN radio provision.....	5

WIRING & ANTENNA CONNECTIONS (sold separately)

Wiring Harness: 70-7903

Antenna Adapter: Not required

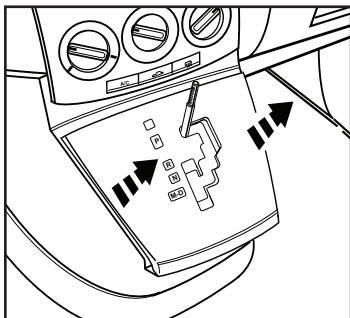
TOOLS REQUIRED

- Panel removal tool • Phillips screwdriver
- Socket wrench

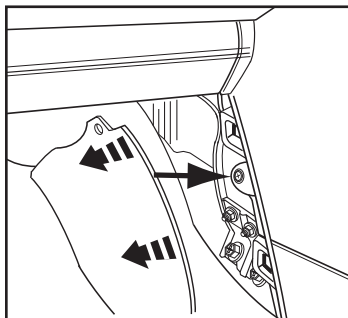
CAUTION! All accessories, switches, climate controls panels, and especially air bag indicator lights must be connected before cycling the ignition. Also, do not remove the factory radio with the key in the on position, or while the vehicle is running.

DASH DISASSEMBLY

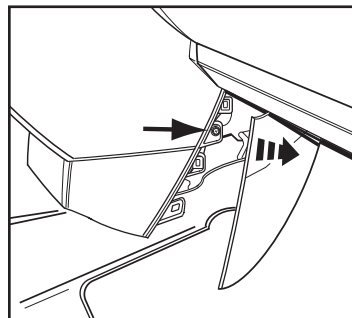
1. Remove the shifter knob, unclip and remove the shifter trim panel, then remove (2) Phillips screws exposed. (Figure A)
2. Unclip and remove the left and right side trim panels from the front of the center console, then remove (1) Phillips screws exposed on each side. (Figures B, C)



(Figure A)



(Figure B)



(Figure C)

Continued on the next page

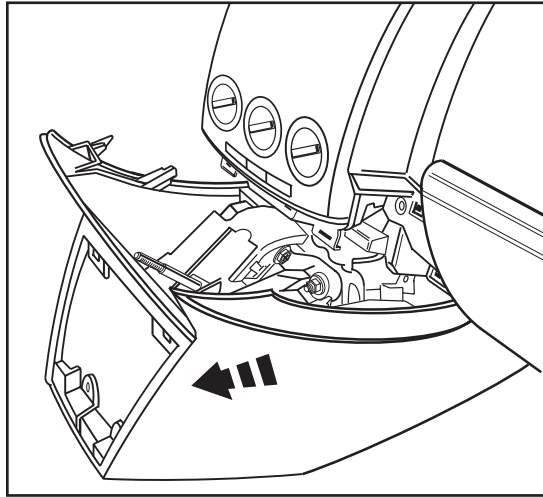
DASH DISASSEMBLY (CONT.)

- Unclip the center console, pulling towards the rear of the vehicle to release the clips, then sit aside. (Figure D)

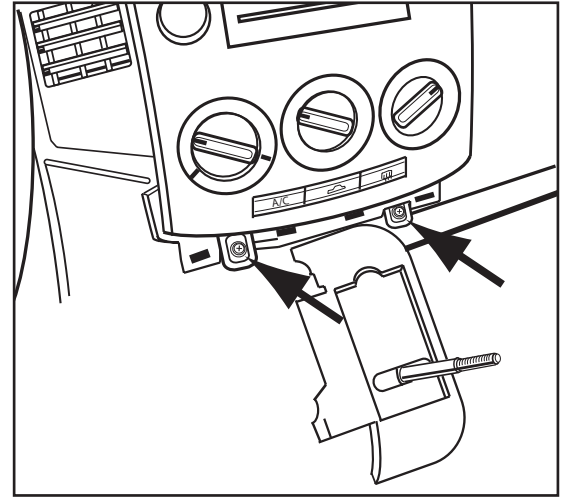
Note: Models with a full center console will require additional disassembly.

- Remove (2) Phillips screws securing the bottom of the radio/climate control panel, then unclip just the climate control panel and set aside. (Figure E)
- Remove (1) screw securing the bottom left of the radio, then unclip, unplug, and remove the radio.

Continue to Kit Preparation



(Figure D)

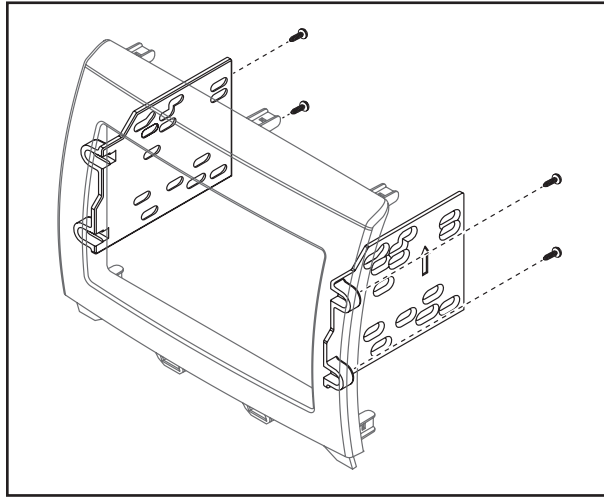


(Figure E)

KIT PREPARATION

1. Secure the *radio brackets* to *radio trim panel* using (4) #8 x 3/8" Phillips screws provided. (Figure A)
2. Remove the panel clips from the factory radio/climate control panel, then attach them onto to the *radio trim panel*.

Continue to Kit Assembly

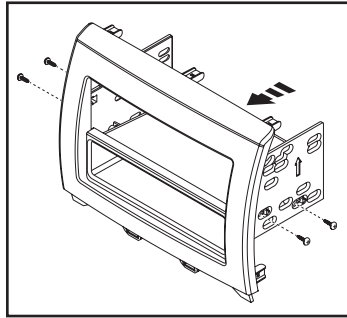


(Figure A)

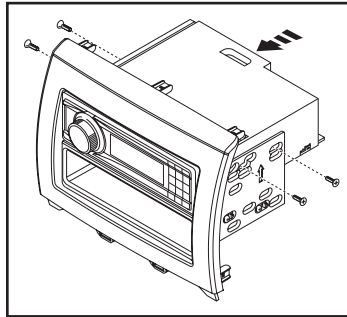
KIT ASSEMBLY

ISO DIN radio provision with pocket

1. Secure the *pocket* to the *radio brackets* using the (4) #8 x 3/8" Phillips screws provided. (Figure A)
2. Remove the metal DIN sleeve and trim ring from the aftermarket radio.
3. Slide the radio into the bracket/pocket assembly and then secure it using the screws supplied with the radio. (Figure B)
4. Locate the factory wiring harness and connector in the dash and complete all necessary connections to the radio. Metra recommends using the proper mating adapter from Metra and/or Axxess. Test the radio for proper operation.
5. Clip the completed assembly to the dash, then reassemble the dash in the reverse order of disassembly to complete the installation.



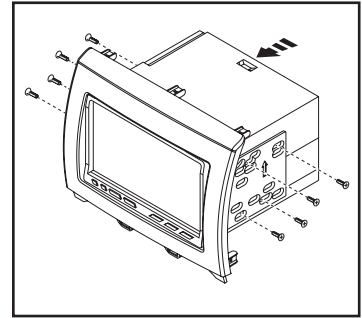
(Figure A)



(Figure B)

ISO DDIN radio provision

1. Slide the radio into the bracket assembly and then secure it using the screws supplied with the radio. (Figure B)
2. Locate the factory wiring harness and connector in the dash and complete all necessary connections to the radio. Metra recommends using the proper mating adapter from Metra and/or Axxess. Test the radio for proper operation.
3. Clip the completed assembly to the dash, then reassemble the dash in the reverse order of disassembly to complete the installation.



(Figure A)



99-7525S
INSTALLATION INSTRUCTIONS



IMPORTANT

If you are having difficulties with the installation of this product, please call our Tech Support line at 1-800-253-TECH. Before doing so, look over the instructions a second time, and make sure the installation was performed exactly as the instructions are stated. Please have the vehicle apart and ready to perform troubleshooting steps before calling.



KNOWLEDGE IS POWER

Enhance your installation and fabrication skills by enrolling in the most recognized and respected mobile electronics school in our industry. Log onto www.installerinstitute.com or call 800-354-6782 for more information and take steps toward a better tomorrow.



**Metra recommends MECP
certified technicians**