



Nissan Maxima (with Technology Package) 2009-2014

Nissan Maxima (with NAV) 2009

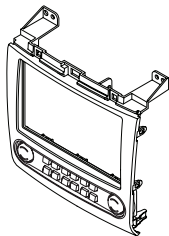
KIT FEATURES

- ISO DIN radio provision with pocket
- ISO DDIN radio provision
- Painted high gloss black

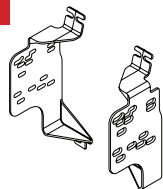
KIT COMPONENTS

- A) Radio trim panel with climate controls
- B) Radio brackets
- C) Keypad
- D) Pocket
- E) (2) Panel clips
- F) (4) #8 x 3/8" Phillips screws
- G) Axxess Interface and wiring harness (not shown)

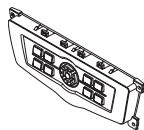
A



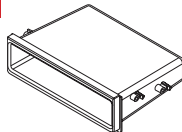
B



C



D



E



F



TABLE OF CONTENTS

Dash Disassembly.....	2
Kit Preparation.....	2
Kit Assembly	
–ISO DIN radio provision with pocket.....	3
–ISO DDIN radio provision.....	3
Axxess Interface Installation.....	4-11

WIRING & ANTENNA CONNECTIONS

- Wiring harness: • Axxess interface and harness included
- Antenna adapter: • 40-N112 (sold separately)
- Steering wheel control interface: • ASWC-1 (sold separately)

TOOLS REQUIRED

- Panel removal tool
- Phillips screwdriver
- Torx screwdriver

CAUTION! All accessories, switches, climate controls panels, and especially air bag indicator lights must be connected before cycling the ignition. Also, do not remove the factory radio with the key in the on position, or while the vehicle is running.

DASH DISASSEMBLY

1. Unclip and remove the entire panel above the radio including the a/c vents and keypad, then unplug and remove the panel. (Figure A)
2. Remove (2) Phillips screws securing the radio/climate control panel, then unclip and remove the panel. (Figure B)
3. Remove (4) Phillips screws securing the radio chassis, then unplug and remove the chassis. (Figure C)

Continue to Kit Preparation

Please visit Metraonline.com for Dash Disassembly illustrations.

KIT PREPARATION

Climate control module preparation

1. Remove the climate control module from radio chassis assembly.
 - a. Slightly loosen (4) Torx screws securing each side bracket to the radio chassis.
 - b. Remove (1) Torx screw from each side of the climate control module, then remove the module.
2. Secure the climate control module to the *radio brackets* using the factory hardware.

Keypad preparation

1. Remove (4) Philips screws securing the factory keypad assembly to the a/c vent and keypad panel, then remove the keypad.
2. Attach the *keypad* provided with the kit to the factory display panel using the factory hardware.
3. Attach (2) *clips* provided with the kit onto the *radio trim panel* with climate controls.

Continue to Kit Assembly

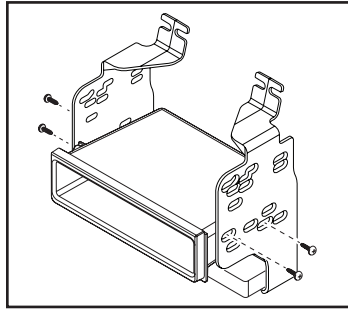
Please visit Metraonline.com for Kit Preparation illustrations.

KIT ASSEMBLY

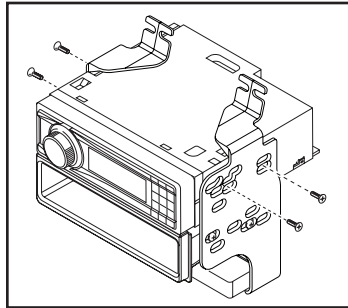
ISO DIN radio provision with pocket

1. Attach the *pocket* to the *radio bracket* / climate control assembly using the (4) #8 x 3/8" Phillips screws provided. (Figure A)
2. Remove the metal DIN sleeve and trim ring from the aftermarket radio.
3. Slide the radio into the assembly and then secure with the screws supplied with the radio. (Figure B)

Continue to Axxess Interface Installation



(Figure A)

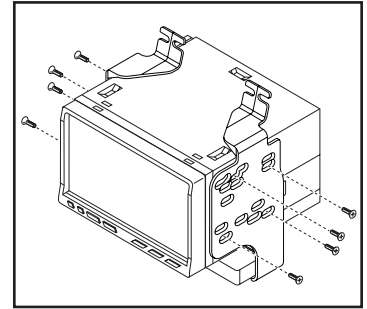


(Figure B)

ISO DDIN radio provision

1. Slide the radio into the *radio bracket* / climate control assembly and then secure with the screws supplied with the radio. (Figure A)

Continue to Axxess Interface Installation



(Figure A)

AXXESS INTERFACE INSTALLATION

INTERFACE FEATURES

- Retains the factory display screen
- Retains the factory backup camera
- Retains the factory AUX-IN jack
- Retains most of the personalization features
- Ability to add an aftermarket backup camera or additional video input
- Works in amplified or non-amplified models
- Prewired ASWC-1 harness included (ASWC-1 sold separately)

INTERFACE COMPONENTS

- Axxess interface

Group 1 harness (for models *without* factory NAV)

- 7633 harness (labeled LD-7625 & LD-7625-VID)
 - Main harness with (5) connectors
 - 14-pin to 18-pin “keypad” harness
 - 14-pin to 14-pin “interface to climate control” harness
 - 12-pin harness with RCA jacks
 - 20-pin to 24-pin “interface to display” harness

Group 2 harness (for models *with* factory NAV)

- 7633 harness (labeled LD-7620-NAV)
 - Main harness with (4) connectors
 - 14-pin to 18-pin “keypad” harness (from LD-7625 package)
 - 14-pin to 14-pin “interface to climate control” harness
 - 32-pin harness with RCA jacks
 - 12-pin to 20-pin “interface to display” harness

TABLE OF CONTENTS

Connections to be made	5-7
Group 1 harness (for models without factory NAV)	5-6
Group 2 harness (for models with factory NAV)	7
Installing the interface	8
Final Assembly	9
Screen operation	9-11

TOOLS REQUIRED

- Wire cutter • Crimp tool • Solder gun • Tape
- Connectors (example: butt-connectors, bell caps, etc.)

CONNECTIONS TO BE MADE

Group 1 harness for models *without* factory NAV

For models *without* a BOSE amplifier:

From the 7633 harness to the aftermarket radio:

- Connect the **Black** wire with a ring terminal to chassis ground.
Note: Also connect the aftermarket radios ground wire to chassis ground.
- Connect the **Yellow** wire to the battery wire.
- Connect the **Red** wire to the accessory wire.
- If the aftermarket radio has an illumination wire, connect the **Orange** wire to it.
- Connect the **Gray** wire to the right front positive speaker output.
- Connect the **Gray/Black** wire to the right front negative speaker output.
- Connect the **White** wire to the left front positive speaker output.
- Connect the **White/Black** wire to the left front negative speaker output.
- Connect the **Green** wire to the left rear positive speaker output.
- Connect the **Green/Black** wire to the left rear negative speaker output.
- Connect the **Purple** wire to the right rear positive speaker output.
- Connect the **Purple/Black** wire to the right rear negative speaker output.

The following (1) wire is only for a multimedia/navigation radio that requires this wire.

- Connect the **Blue/Pink** wire to the VSS / speed sense wire.

- Tape off and disregard the following (1) wire, it will not be used in this application:
White/Blue
- Connect the **Green/Purple** wire with a female bullet connector, to the **Green/Purple** wire with a male bullet connector.
Note: If this step is not performed, the factory backup camera will not function.
- Connect the **Red** and **White** RCA jacks labeled “AUX Input” to the audio AUX-IN jacks of the aftermarket radio.
- Disregard the **Red** and **White** RCA jacks labeled “From DVD”, they will not be used in this application.
- Disregard the **Yellow** RCA jack labeled “From DVD”, it will not be used in this application.
- If an aftermarket backup camera or external video source is desired to be displayed onto the factory display screen instead of the factory backup camera, connect the **Yellow** RCA jack labeled “Backcam” to the desired source.
Note: If either of these methods are chosen, the option chosen must be enabled in Camera Input settings.

12-pin pre-wired ASWC-1 harness:

- This harness is to be used along with the optional ASWC-1 (sold separately) to retain steering wheel audio controls. If the ASWC-1 is not being used, disregard this harness. If it will be used, please refer to the ASWC-1 instructions for radio connections and programming.
Note: Disregard the harness that comes with the ASWC-1.

Continue to Installing the Interface

CONNECTIONS TO BE MADE (CONT.)

For models with a BOSE amplifier:

From the 7633 harness to the aftermarket radio:

- Connect the **Black** wire with a ring terminal to chassis ground.
Note: Also connect the aftermarket radios ground wire to chassis ground.
- Connect the **Yellow** wire to the battery wire.
- Connect the **Red** wire to the accessory wire.
- If the aftermarket radio has an illumination wire, connect the **Orange** wire to it.

The following (1) wire is only for a multimedia/navigation radio that requires this wire.

- Connect the **Blue/Pink** wire to the VSS / speed sense wire.
- Tape off and disregard the following (9) wires, they will not be used in this application: **Gray, Gray/Black, Green, Green/Black, Purple, Purple/Black, White, White/Black, White/Blue**
- Connect the **Green/Purple** wire with a female bullet connector, to the **Green/Purple** wire with a male bullet connector.
Note: If this step is not performed, the factory backup camera will not function.
- Connect the **Red** and **White** RCA jacks labeled “AUX Input” to the audio AUX-IN jacks of the aftermarket radio.
- Disregard the **Red** and **White** RCA jacks labeled “From DVD”, they will not be used in this application.

- Disregard the **Yellow** RCA jack labeled “From DVD”, it will not be used in this application.
- If an aftermarket backup camera or external video source is desired to be displayed onto the factory display screen instead of the factory backup camera, connect the **Yellow** RCA jack labeled “Backcam” to the desired source.

Note: If either of these methods are chosen, the option chosen must be enabled in Camera Input settings.

From the 12-pin harness with RCA jacks to the aftermarket radio:

- Connect the **Blue/White** wire to the amp turn-on wire. This wire must be connected to hear sound from the factory amplifier.
- Connect the **White** RCA to the left front RCA output.
- Connect the **Gray** RCA to the right front RCA output
- Connect the **Green** RCA to the left rear RCA output.
- Connect the **Purple** RCA to the right rear RCA output.

12-pin pre-wired ASWC-1 harness:

- This harness is to be used along with the optional ASWC-1 (sold separately) to retain steering wheel audio controls. If the ASWC-1 is not being used, disregard this harness. If it will be used, please refer to the ASWC-1 instructions for radio connections and programming.

Note: Disregard the harness that comes with the ASWC-1.

Continue to Installing the Interface

Group 2 harness for models *with* factory NAV

From the 7633 harness to the aftermarket radio:

- Connect the **Black** wire with a ring terminal to chassis ground.
Note: Also connect the aftermarket radios ground wire to chassis ground.
- Connect the **Yellow** wire to the battery wire.
- Connect the **Red** wire to the accessory wire.
- Connect the **Blue/White** wire to the amp turn-on wire. This wire must be connected to hear sound from the factory amplifier.
- If the aftermarket radio has an illumination wire, connect the **Orange** wire to it.
- Connect the **White** wire to the left front positive speaker output.
- Connect the **White/Black** wire to the left front negative speaker output.
- Connect the **Gray** wire to the right front positive speaker output.
- Connect the **Gray/Black** wire to the right front negative speaker output.
- Connect the **Green** wire to the left rear positive speaker output.
- Connect the **Green/Black** wire to the left rear negative speaker output.
- Connect the **Purple** wire to the right rear positive speaker output.
- Connect the **Purple/Black** wire to the right rear negative speaker output.

The following (1) wire is only for a multimedia/navigation radio that requires this wire.

- Connect the **Blue/Pink** wire to the VSS / speed sense wire.

From the 32-pin harness with RCA jacks to the aftermarket radio:

- Connect the **Red** and **White** RCA jacks labeled “AUX Input” to the audio AUX-IN jacks of the aftermarket radio.
- Disregard the **Red** and **White** RCA jacks labeled “From DVD”, they will not be used in this application.

12-pin pre-wired ASWC-1 harness:

- This harness is to be used along with the optional ASWC-1 (sold separately) to retain steering wheel audio controls. If the ASWC-1 is not being used, disregard this harness. If it will be used, please refer to the ASWC-1 instructions for radio connections and programming.

Note: Disregard the harness that comes with the ASWC-1.

Continue to *Installing the Interface*

INSTALLING THE INTERFACE

With the key in the off position:

For models *without* factory NAV:

1. Connect the 20-pin to 24-pin “interface to display” harness into the Axxess interface, and then to the 24-pin display harness in the vehicle.
2. Connect the 14-pin to 14-pin “interface to climate control” harness into the Axxess interface, and then to the 14-pin connector in the left side of the radio trim panel with climate controls.
3. Connect the 14-pin to 18-pin “keypad” harness into the keypad, and then to the 14-pin connector in the right side of the radio trim panel with climate controls.
4. For models with a factory Bose amplifier, connect the 12-pin harness with RCA jacks to the wiring harness in the vehicle.
5. Connect the 7633 harness into the Axxess interface, and then to the wiring harness in the vehicle.
6. Reconnect the factory harness to the climate control module.

Note: Failure to connect this factory module will result in no climate control function.

For models *with* factory NAV:

1. Connect the 12-pin to 20-pin “interface to display” harness into the Axxess interface, and then to the 12-pin display harness in the vehicle.
2. Connect the 14-pin to 14-pin “interface to climate control” harness into the Axxess interface, and then to the 14-pin connector in the left side of the radio trim panel with climate controls.
3. Connect the 14-pin to 18-pin “keypad” harness into the keypad, and then to the 14-pin connector in the right side of the radio trim panel with climate controls.
4. Connect the 32-pin harness with RCA jacks to the wiring harness in the vehicle.
5. Connect the 7633 harness into the Axxess interface, and then to the wiring harness in the vehicle.
6. Reconnect the factory harness to the climate control module.

Note: Failure to connect this factory module will result in no climate control function.

FINAL ASSEMBLY

1. Locate the factory antenna connector in the dash and complete all necessary connections to the radio. Metra recommends using the proper mating adapter from Metra and/or Axxess.
2. Before using the kit it must be programmed.

Attention! If the interface loses power for any reason, the following steps will need to be performed again. Also, if installing an ASWC-1 connect it after you program and test the interface/radio, with the key in the off position.

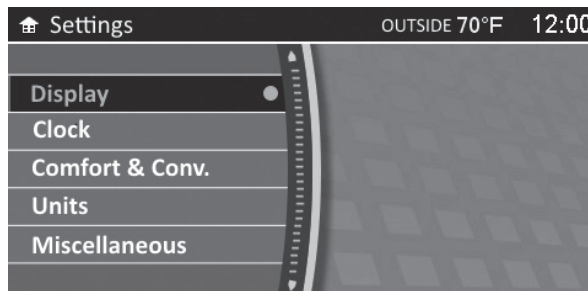
- a. Turn the key (or push-to-start button) to the ignition position and wait until the factory display screen comes on. The screen should come on within 30 seconds.

Note: If the screen doesn't come on, turn the key to the off position, disconnect the interface, check all connections, reconnect the interface, and then try again. Also ensure that the display harness is connected.

- b. Refer to "Screen operation" and select "Maxima" for the vehicle.
 - c. Refer to "Screen operation" and select "OEM Backup Cam" if retaining the factory backup camera.
 - d. Refer to "Screen operation" and select the proper display type. If the vehicle came equipped with factory NAV, select NAV; non-NAV for models without factory NAV.
 - e. Test all functions of the installation for proper operation, before reassembling the dash.
3. Secure the completed assembly into the dash, and then reassemble the dash in reverse order of disassembly.

SCREEN OPERATION

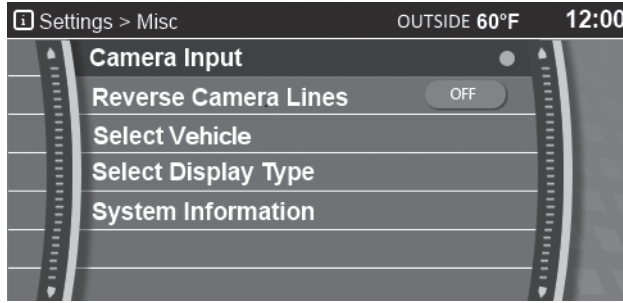
Settings screen



- Go to – SETTINGS
- This is the main settings screen to access the factory settings, and also the settings within the Axxess interface.
- All button functions are retained and controlled in the same manner that the factory buttons were controlled. (Example: Tire Pressure, Fuel Economy, Brightness, Clock Setting, etc.)

SCREEN OPERATION (CONT.)

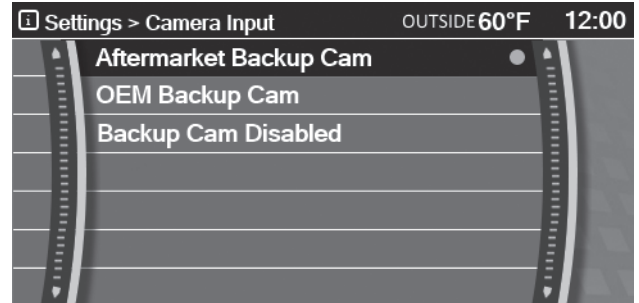
Miscellaneous screen



- Go to - SETTINGS>MISCELLANEOUS
- This menu allows access to the following options:
Camera Input / Reverse Camera Lines / Select Vehicle / Select Display Type / System Information

Note: The reverse camera lines are off by default. Select on to activate the reverse camera lines; off to deactivate them.

Camera Input screen

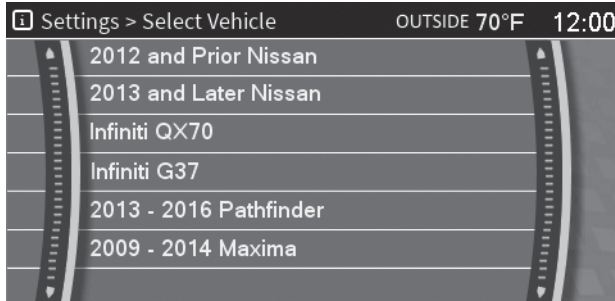


- Go to - SETTINGS> MISCELLANEOUS>CAMERA INPUT
- If an aftermarket backup camera is desired to be displayed onto the factory display screen, select "Aftermarket Backup Cam".
- If retaining the factory backup camera, select "OEM Backup Cam".
- If an external video source (AUX-VIDEO) is desired to be displayed onto the factory display screen instead of a backup camera, select "Backup Cam Disabled".
 - To activate AUX-VIDEO, press the blank button on the far right of the keypad. This will toggle AUX-VIDEO on and off.

Note: AUX-VIDEO will only function while the vehicle is in park.

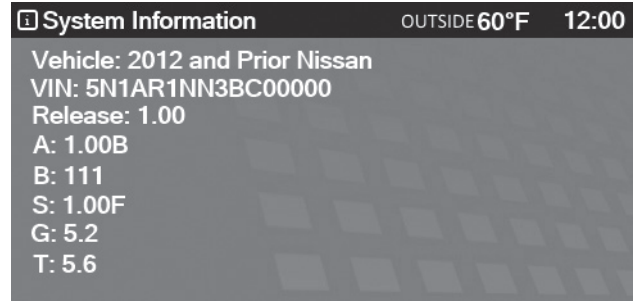
SCREEN OPERATION *(CONT.)*

Select Vehicle screen



- Go to - SETTINGS>MISCELLANEOUS>SELECT VEHICLE
- Select “2009-2014 Maxima” for the vehicle selection.

System Information screen



- Go to - SETTINGS>MISCELLANEOUS>SYSTEM INFORMATION
- This screen will show the current software of the product.
- **Please have this information available when calling Tech Support for assistance.**



99-7633
INSTALLATION INSTRUCTIONS



IMPORTANT

If you are having difficulties with the installation of this product, please call our Tech Support line at 1-800-253-TECH. Before doing so, look over the instructions a second time, and make sure the installation was performed exactly as the instructions are stated. Please have the vehicle apart and ready to perform troubleshooting steps before calling.



KNOWLEDGE IS POWER

Enhance your installation and fabrication skills by enrolling in the most recognized and respected mobile electronics school in our industry. Log onto www.installerinstitute.com or call 800-354-6782 for more information and take steps toward a better tomorrow.



**Metra recommends MECP
certified technicians**