



## INSTALLATION INSTRUCTIONS FOR PART 99-7954

### APPLICATIONS

# Suzuki SX4 2007-up 99-7954

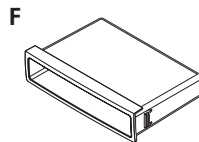
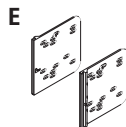
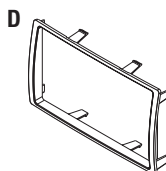
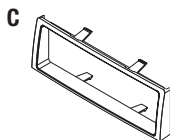
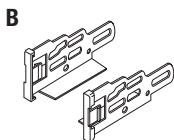
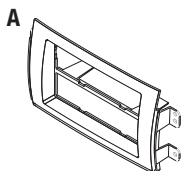
### KIT FEATURES

- DIN radio provision with pocket
- ISO mount radio provision with pocket
- Double DIN radio provision
- Stacked ISO units provision



### KIT COMPONENTS

- A) Radio Housing • B) ISO Brackets • C) ISO Trim Plate • D) Double DIN Trim Plate
- E) Double DIN Brackets • F) Pocket



### WIRING & ANTENNA CONNECTIONS (Sold Separately)

Wiring Harness:

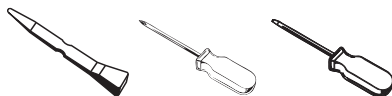
- 70-1721 - Honda harness 1998-up

Antenna Adapter:

- Not Required

### TOOLS REQUIRED

Panel Removal Tool • Phillips Screwdriver • Small Flat Blade Screwdriver



**METRA. THE WORLD'S BEST KITS.™**



**1-800-221-0932**



**metraonline.com**

© COPYRIGHT 2004-2011 METRA ELECTRONICS CORPORATION



99-7954

## Table of Contents

### Dash Disassembly

– Suzuki SX4 2007-up .....3

### Kit Assembly

– DIN radio provision with pocket .....4  
– ISO mount radio provision with pocket .....5  
– Double DIN radio provision .....6  
– Stacked ISO units provision .....7

### Caution

*Metra recommends disconnecting the negative battery terminal before beginning any installation. All accessories, switches, and especially air bag indicator lights must be plugged in before reconnecting the battery or cycling the ignition.*

*\*NOTE: Refer also to the instructions included with the aftermarket radio.*



#### KNOWLEDGE IS POWER

Enhance your installation and fabrication skills by enrolling in the most recognized and respected mobile electronics school in our industry. Log onto [www.installerinstitute.com](http://www.installerinstitute.com) or call 800-354-6782 for more information and take steps toward a better tomorrow.

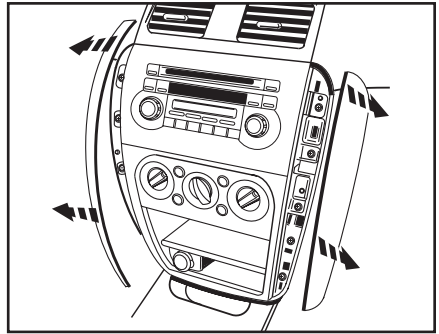


**Metra recommends MECP  
certified technicians**

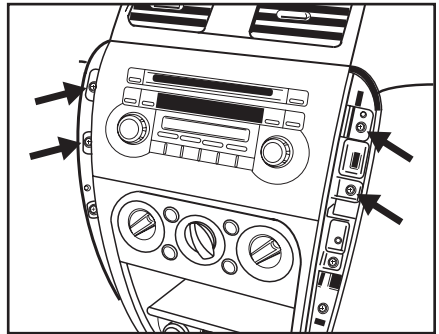
## Dash Disassembly

1. Unclip and remove the (2) outside trim panels. (Figure A)
2. Remove (4) Phillips screws securing the radio to the sub dash. Unplug and remove radio. (Figure B)

*Continue to kit assembly*



(Figure A)



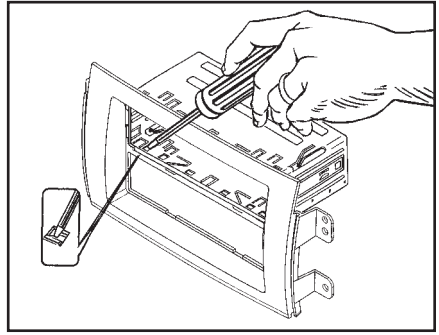
(Figure B)



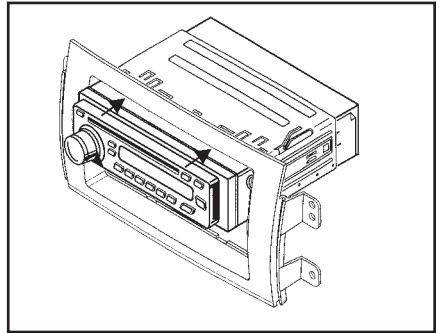
## Kit Assembly 99-7954

### DIN radio provision with pocket

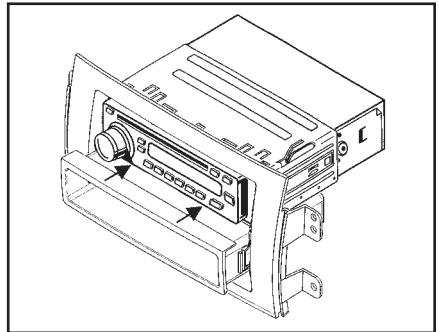
1. Locate the factory wiring harness in the dash. Metra recommends using the proper mating adapter from Metra or AXXESS. Re-connect the negative battery terminal and test the unit for proper operation.
2. Slide the DIN cage into the radio housing and secure by bending the metal locking tabs outward. (Figure A)
3. Slide the aftermarket radio into the cage until it snaps into place. (Figure B)
4. Snap the pocket into the radio housing. (Figure C)
5. Reassemble dash in reverse order of disassembly.



(Figure A)



(Figure B)



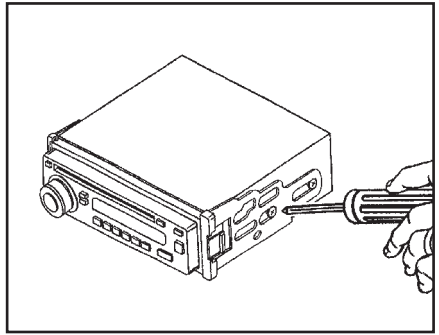
(Figure C)



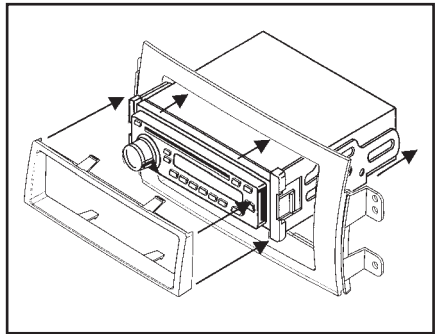
## Kit Assembly 99-7954

### ISO mount radio provision with pocket

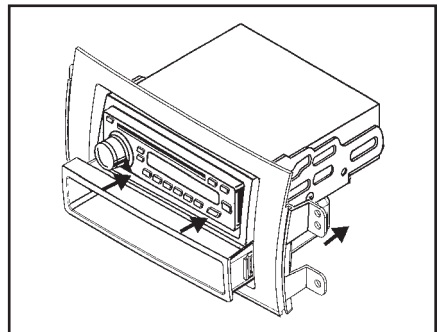
1. Locate the factory wiring harness in the dash. Metra recommends using the proper mating adapter from Metra or AXCESS. Re-connect the negative battery terminal and test the unit for proper operation.
  2. Mount the ISO brackets to the radio with the screws supplied with the radio. (Figure A)
  3. Slide the radio into the radio housing until it snaps into place. (Figure B)
  4. Snap the ISO trim plate onto the front of the radio housing. (Figure C)
5. Snap the pocket into the radio housing. (Figure C)
6. Reassemble dash in reverse order of disassembly.



(Figure A)



(Figure B)



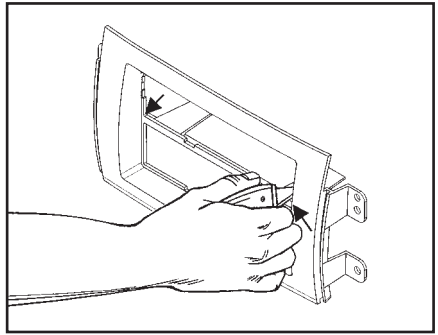
(Figure C)



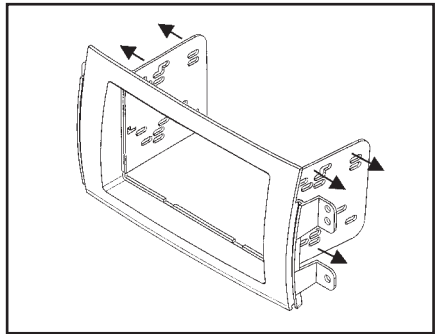
## Kit Assembly 99-7954

### Double DIN radio provision

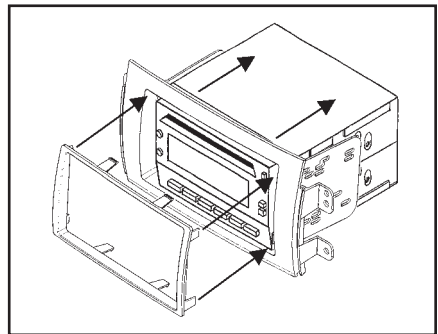
1. Locate the factory wiring harness in the dash. Metra recommends using the proper mating adapter from Metra or AXCESS. Re-connect the negative battery terminal and test the unit for proper operation.
2. Cut and remove the center bar from the radio housing. (Figure A)
3. Snap the Double DIN brackets to the inside edge of the radio housing. (Figure B)
4. Slide the Double DIN radio into the bracket/trim plate assembly and secure the radio to the assembly using the screws supplied with the radio. (Figure C)
5. Snap the Double DIN trim plate into the radio housing. (Figure C)
6. Reassemble dash in reverse order of disassembly.



(Figure A)



(Figure B)



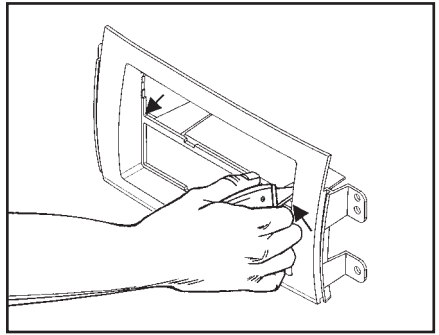
(Figure C)



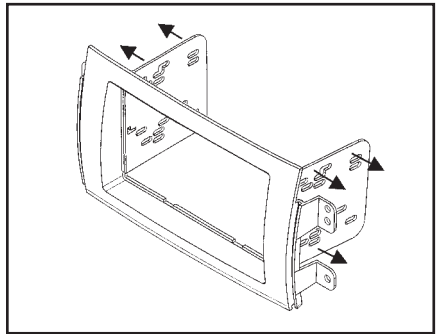
## Kit Assembly 99-7954

### Stacked ISO units provision

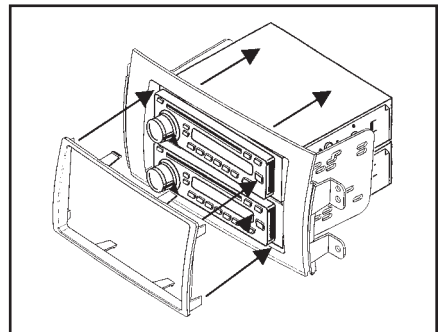
1. Locate the factory wiring harness in the dash. Metra recommends using the proper mating adapter from Metra or AXCESS. Re-connect the negative battery terminal and test the unit for proper operation.
2. Cut and remove the center bar from the radio housing. (Figure A)
3. Snap the Double DIN brackets to the inside edge of the radio housing. (Figure B)
4. Slide the stacked ISO units into the bracket/radio housing assembly and secure the units to the kit using the screws supplied with the units. (Figure C)
5. Snap the Double DIN trim plate into the radio housing. (Figure C)
6. Reassemble dash in reverse order of disassembly.



(Figure A)



(Figure B)



(Figure C)



**INSTALLATION INSTRUCTIONS FOR PART 99-7954**

REV. 5/18/11

**METRA. THE WORLD'S BEST KITS.™**



**1-800-221-0932**



**metraonline.com**

© COPYRIGHT 2004-2011 METRA ELECTRONICS CORPORATION