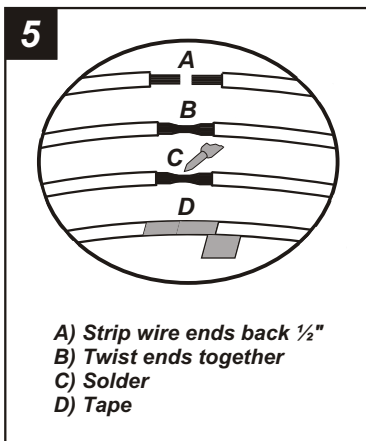


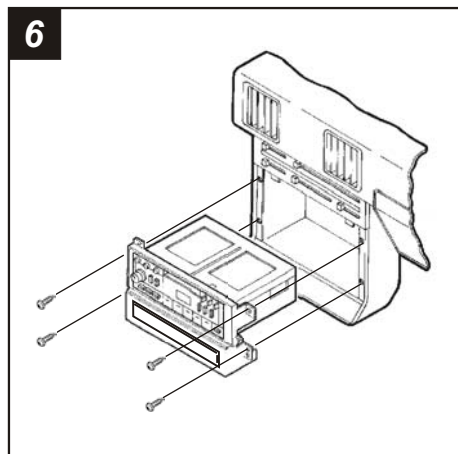
**IF AN EQUALIZER WILL BE INCLUDED:** Slide the aftermarket equalizer into the back of the **Radio Housing**. Using the hardware included with the equalizer, mount the unit to the kit. (see Fig. A)

**IF AN EQUALIZER WILL NOT BE INCLUDED:** Snap the **Equalizer Dummy Plate** into the **Radio Housing**. (see Fig. B)



- A) Strip wire ends back 1/2"
- B) Twist ends together
- C) Solder
- D) Tape

Locate the factory wiring harness in the dash. Metra recommends using the proper mating adaptor and making connections as shown. (Isolate and individually tape off the ends of any unused wires to prevent electrical short circuit).

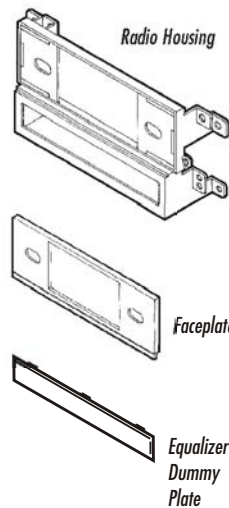


Re-connect the battery terminal and test the unit for proper operation. Mount the head unit/kit assembly to the sub-dash with (4) screws previously removed in step #1.

### KIT FEATURES

- ▶ Shaft and DIN unit provisions
- ▶ Equalizer provisions

### KIT COMPONENTS



### TOOLS REQUIRED



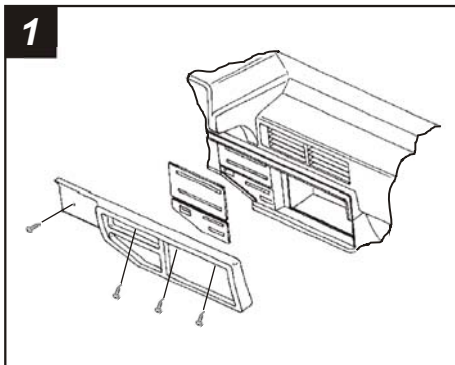
# 99-8130 INSTALLATION INSTRUCTIONS

## APPLICATIONS

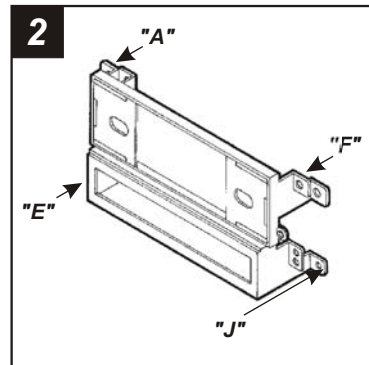
<b>CAR</b>	<b>PAGE</b>
<b>TOYOTA</b>	
Camry 1983-86.....	1
Celica (Supra) 1982-85.....	1
Corolla (sedan/wagon-lower dash) 1988-92.....	2



## TOYOTA Camry 1983-86

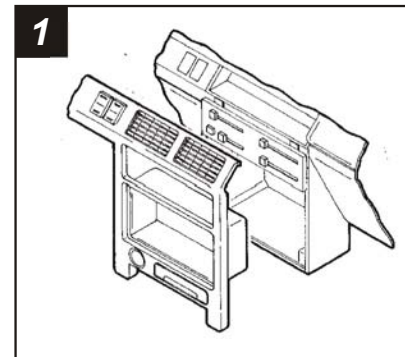


Disconnect the negative battery terminal to prevent an accidental short circuit. Remove (3) Phillips screws from the top of the dash trim bezel. Remove (1) Phillips screw to the right of the steering column. Remove the bezel. Remove (4) Phillips screws securing the factory head unit and disconnect the wiring.

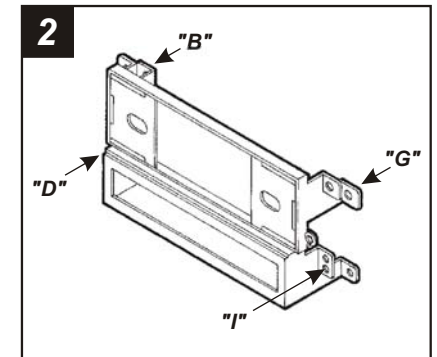


Cut and remove all mounting tabs on the **Radio Housing** EXCEPT tabs "A", "E", "F" and "J". The mounting tabs can be identified by the stamped letter on the back of each tab. Skip to the *Installation Instructions for ALL VEHICLES on Page #2.*

## TOYOTA Corolla (sedan/wagon-lower dash) 1988-92

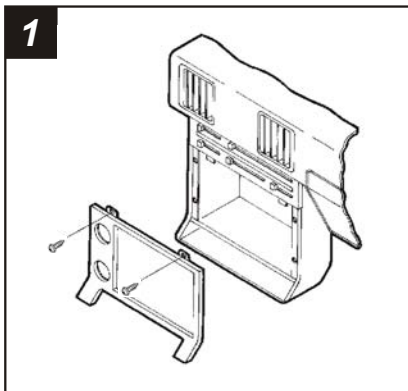


Disconnect the negative battery terminal to prevent an accidental short circuit. Remove (1) Phillips screw from each side of the steering column. Unclip the entire lower dash trim bezel. Disconnect the cigarette lighter and illumination plugs and remove the bezel. Remove (4) screws securing the factory head unit and disconnect the wiring.

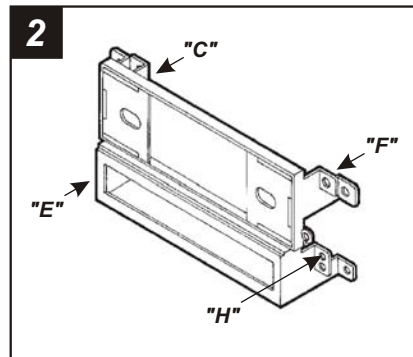


Cut and remove all mounting tabs on the **Radio Housing** EXCEPT tabs "B", "D", "G" and "I". The mounting tabs can be identified by the stamped letter on the back of each tab. Skip to the *Installation Instructions for ALL VEHICLES on Page #2.*

## TOYOTA Celica (Supra) 1982-85

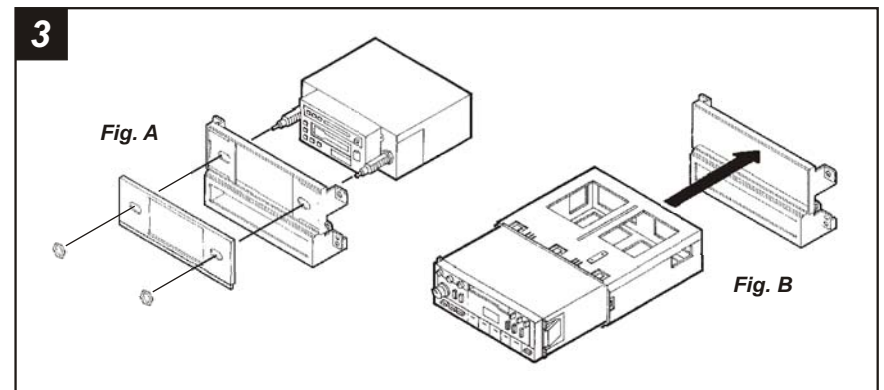


Disconnect the negative battery terminal to prevent an accidental short circuit. Remove the ashtray and the climate control knobs. Remove (3) screws from the climate control panel and remove the panel. Remove (2) Phillips screws from the top of the radio trim bezel. Remove (4) Phillips screws from the bottom of the radio trim bezel and remove the bezel. Remove (4) screws securing the factory head unit and disconnect the wiring.



Cut and remove all mounting tabs on the **Radio Housing** EXCEPT tabs "C", "E", "F" and "H". The mounting tabs can be identified by the stamped letter on the back of each tab. Skip to the *Installation Instructions for ALL VEHICLES on Page #2.*

## ALL VEHICLES



**2-SHAFT HEAD UNITS:** Attach the **Faceplate** to the **Radio Housing**. Slide the aftermarket head unit into the kit and secure with shaft nuts. (see Fig. A)

**DIN HEAD UNITS:** Cut and remove the shaft supports from the **Radio Housing**. Slide the DIN cage into the kit and secure by bending the metal locking tabs down. Slide the aftermarket head unit into the cage until secure. (see Fig. B)