



INSTALLATION INSTRUCTIONS FOR PART 99-8150

APPLICATIONS

LEXUS ES SERIES

1992-1996

99-8150

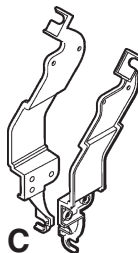
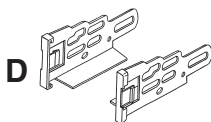
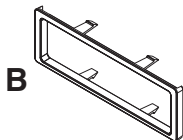
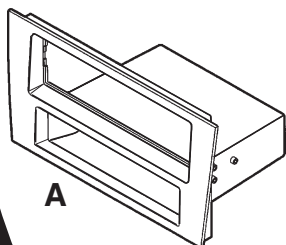
KIT FEATURES

- DIN Mount Radio Provision with Pocket
- ISO Mount Radio Provision with Pocket



KIT COMPONENTS

A) Radio Housing • B) Trim Plate • C) Mounting Brackets • D) ISO Brackets • E) (6) Phillips Screws



TOOLS REQUIRED:

Small Flat Blade Screwdriver/ Panel Removal Tool
• Phillips Screwdriver • Socket Set



1-800-221-0932



www.metraonline.com

© COPYRIGHT 2004-2007 METRA ELECTRONICS CORPORATION



TABLE OF CONTENTS

Dash Disassembly

- Lexus ES Series 1992-19961

Kit Preparation2

Kit Assembly

- DIN Mount Radio Provision with Pocket3

- ISO Mount Radio Provision with Pocket..... 4

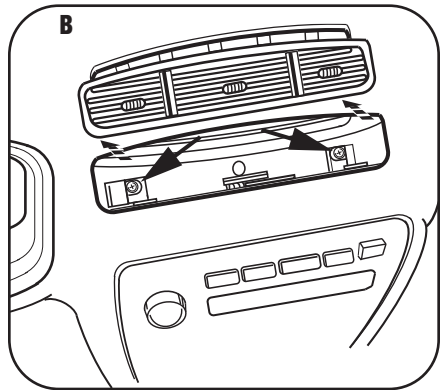
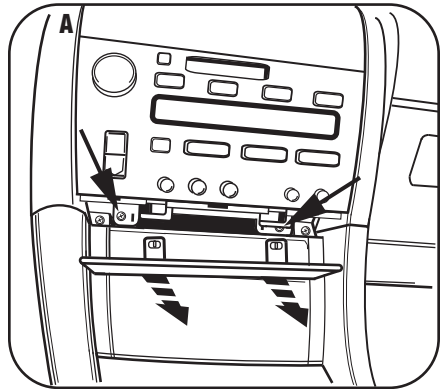
Final Assembly5

***Note:**

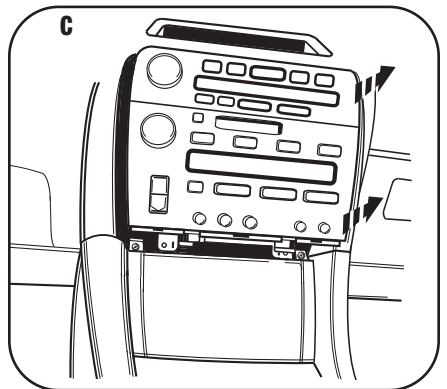
Refer also to the instructions included with the aftermarket radio.

LEXUS ES SERIES 1992-1996

- 1** Disconnect the negative battery terminal to prevent an accidental short circuit.
- 2** Unclip and remove the plastic trim piece below the factory radio and remove (2) Phillips screws exposed underneath. (Figure A)
- 3** Using a small flat blade screwdriver release the clips securing the a/c vent assembly and remove the assembly. (Figure B)
- 4** Remove (2) Phillips screws inside of vent cavity. (Figure B)
- 5** Pull the climate control/radio assembly from the dash and disconnect the wiring. (Figure C)
- 6** Remove (2) Phillips screws and (4) bolts per side to remove factory brackets from climate controls and radio.



Continue to kit assembly.

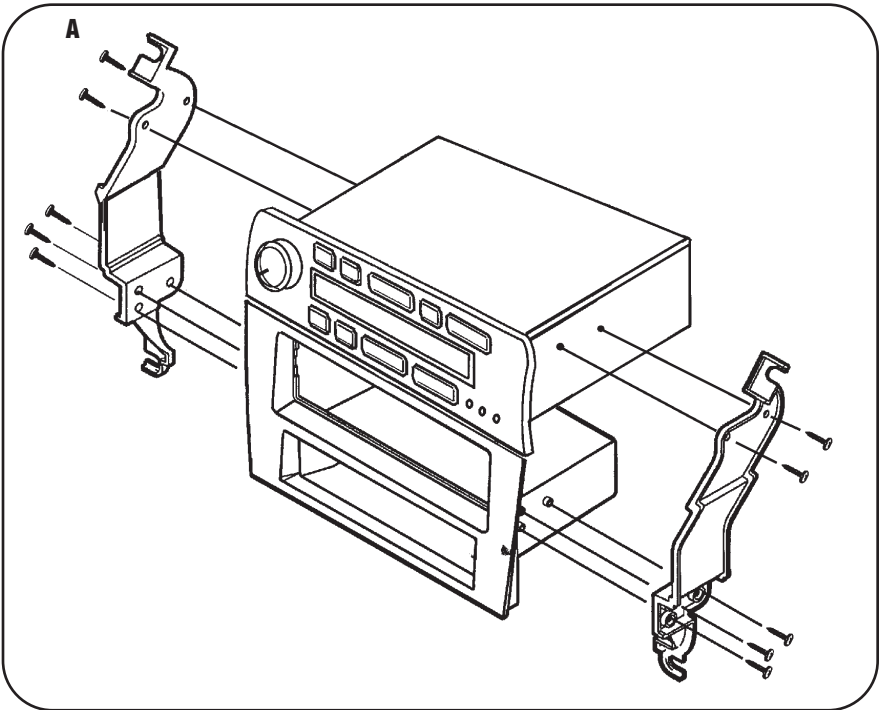


LEXUS ES SERIES 1992-1996
DIN MOUNT RADIO PROVISION WITH POCKET
ISO MOUNT RADIO PROVISION WITH POCKET

1 Install the mounting brackets to the radio housing with (6) Phillips Screws supplied. (Figure A)

2 Install the factory climate controls into the assembled radio housing and bracket assembly using the screws from disassembly. (Figure A)

Continue to kit assembly.



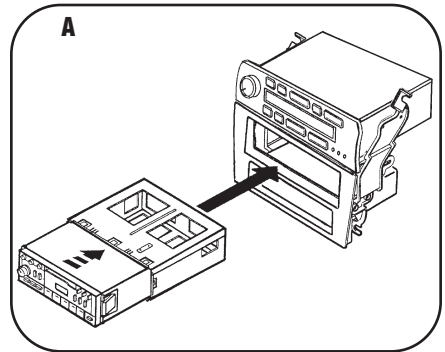


LEXUS ES SERIES 1992-1996
DIN MOUNT RADIO PROVISION WITH POCKET

Note: Refer also to the instructions included with the aftermarket radio.

- 1** Slide the DIN cage into the radio housing and secure by bending the metal locking tabs outward (Figure A)
- 2** Slide the aftermarket radio into the cage until it snaps into place. (Figure A)

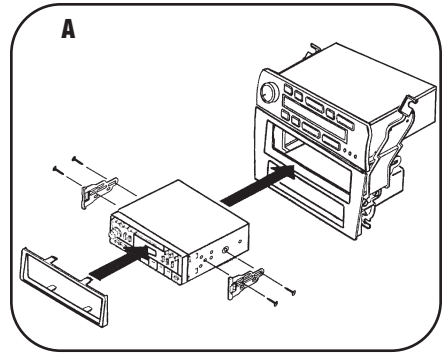
Continue to final assembly.



LEXUS ES SERIES 1992-1996 **ISO MOUNT RADIO PROVISION WITH POCKET**

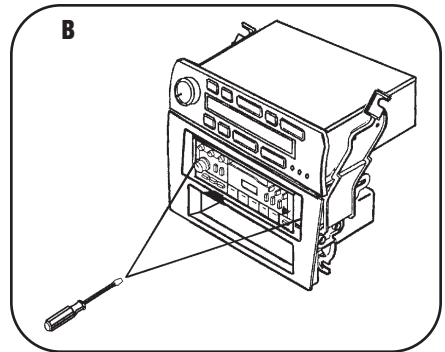
Note: Refer also to the instructions included with the aftermarket radio.

- 1** Mount the ISO brackets to the radio using the screws supplied with the radio. (Figure A)
- 2** Slide the radio into the radio housing until the ISO brackets snap into place. (Figure A)
- 3** Snap the trim plate onto the front of the radio housing. (Figure A)

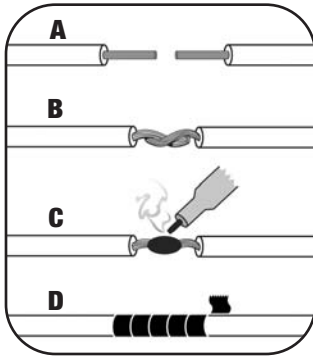


NOTE: To remove the mounted aftermarket radio, unclip and remove the ISO trimplate. Using a small flat blade screwdriver, disengage the side clips securing the ISO brackets to the Radio Housing. (Figure B)

Continue to final assembly.



FINAL ASSEMBLY



- (A) Strip wire ends back 1/2"**
- B) Twist ends together**
- C) Solder**
- D) Tape**

- 1** Locate the factory wiring harness in the dash. Metra recommends using the proper mating adapter and making connections as shown. (Isolate and individually tape off the ends of any unused wires to prevent electrical short circuit.)
- 2** Re-connect the negative battery terminal and test the unit for proper operation.
- 3** Reassemble radio and dash assemblies in reverse order of disassembly.

FINAL WIRING CONNECTIONS

Make wiring connections using the EIA color code chart shown below and the instructions included with the head unit. Metra recommends making connections as shown below; Strip, Splice, Solder, Tape. Isolate and individually tape off ends of any unused wires to prevent electrical short circuit.

METRA / EIA WIRING CODE

12V Ignition / Acc. Red	Right Front (+) Gray
12V Batt / Memory. Yellow	Right Front (-). Gray/ Black
Ground. Black*	Left Front (+) White
Power Antenna. Blue	Left Front (-). White / Black
Amp Turn-On Blue / White	Right Rear (+) Violet
Amp Ground. Black / White	Right Rear (-). Violet / Black
Illumination Orange	Left Rear (+) Green
Dimmer Orange / White	Left Rear (-). Green / Black

***NOTE:** When a Black wire is not present, ground radio to vehicle chassis.
All colors may not be present on all leads due to manufacturer's specifications.

99-8150 INSTRUCTIONS



1-800-221-0932



www.metraonline.com

REV. 07/28/10 © COPYRIGHT 2004-2007 METRA ELECTRONICS CORPORATION INST99-8150