



Toyota 4-Runner 2010-up*

*Visit MetraOnline.com for up-to-date vehicle specific applications.

KIT FEATURES

- DIN radio provision with pocket
- ISO DIN radio provision with pocket
- ISO DDIN radio provision
- 99-8227S - Painted in silver
- 99-8227CHG - Finished in charcoal high gloss

KIT COMPONENTS

- A) Radio Housing • B) ISO brackets • C) ISO trim plate • D) ISO DDIN brackets • E) ISO DDIN trim plate • F) Pocket • G) (4) PC-7503 Panel Clips • H) (2) Phillips Screws

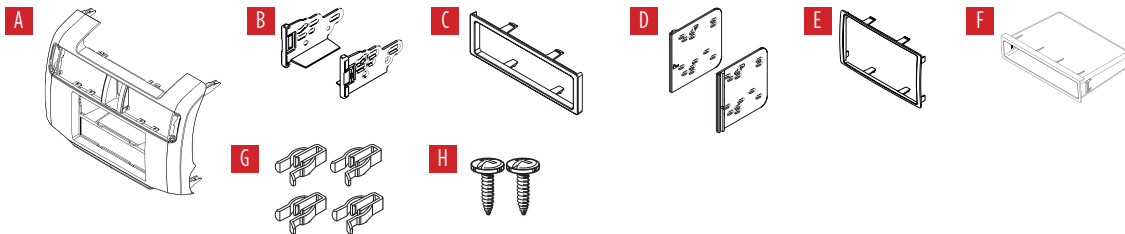


TABLE OF CONTENTS

Dash Disassembly	2-3
Kit Preparation	4
Kit Assembly	
–DIN radio provision with pocket	5
–ISO DIN radio provision with pocket	6
–ISO DDIN radio provision.....	7

WIRING & ANTENNA CONNECTIONS (sold separately)

- Wiring Harness: 70-1761 (w/o amp) • TYTO-01 (10-13) • TYTO-01 (14-up*)
- Antenna Adapter: Not required 10-13 • 40-LX11 (14-up*)
- Steering wheel control interface: ASWC-1

TOOLS REQUIRED

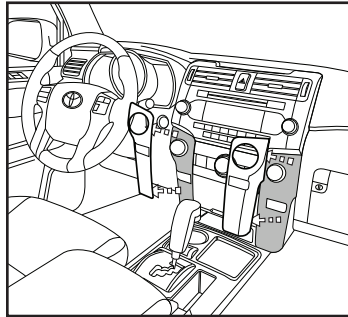
- Phillips screwdriver • Panel removal tool
- 10mm socket wrench • Cutting tool

CAUTION! All accessories, switches, climate controls panels, and especially air bag indicator lights must be connected before cycling the ignition. Also, do not remove the factory radio with the key in the on position, or while the vehicle is running.

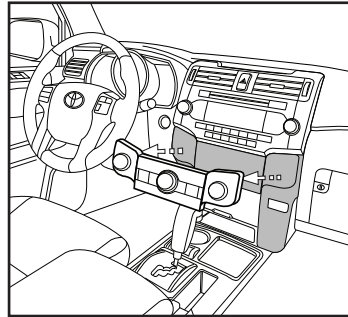
DASH DISASSEMBLY

1. Unclip and remove the (2) climate control knob trim panels. (Figure A)
2. Unclip and remove the climate control (Figure B)
3. Remove (4) 10mm bolts securing the radio. (Figure C)

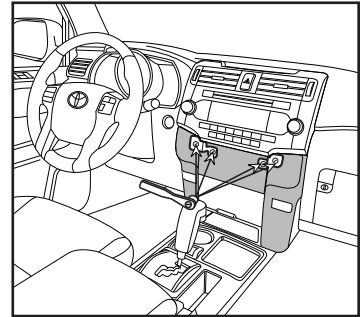
Continued on the next page



(Figure A)



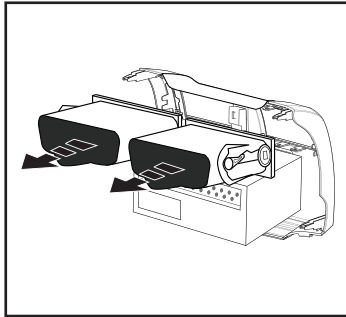
(Figure B)



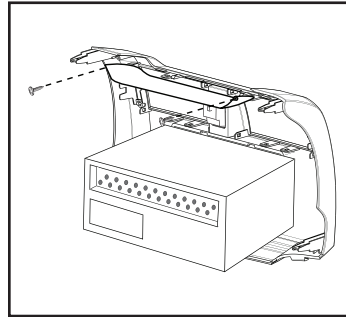
(Figure C)

DASH DISASSEMBLY (CONT.)

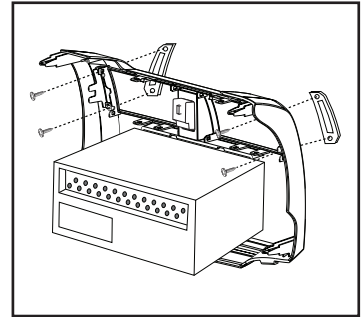
4. Unclip and remove the vents from the factory radio panel. (Figure D)
5. Remove the (2) Phillips screws securing the trim panel on the top of the factory radio panel. (Figure E)
6. Remove the (4) Phillips screws securing the outer a/c vent control wheel trim pieces. (Figure F)
7. Unclip and remove the hazard switch from the factory radio trim panel. (Figure G)



(Figure D)

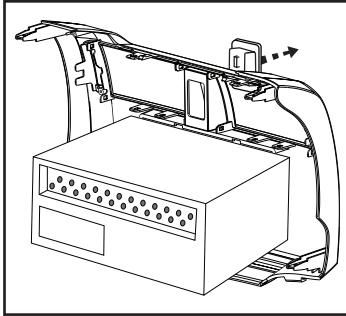


(Figure E)



(Figure F)

Continue to Kit Preparation



(Figure G)

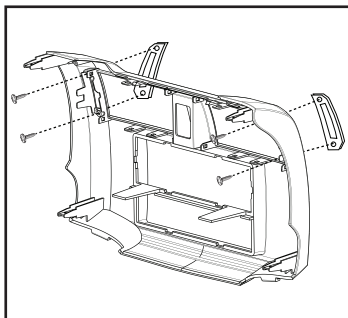
KIT PREPARATION

1. Attach the outer a/c vent control wheel trim pieces to the radio housing using the factory hardware. (Figure A)
2. Attach the trim panel to the top of the radio housing using the factory hardware. (Figure B)

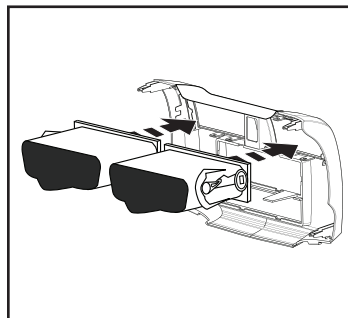
Note: 2 screws are provided “Just in case”.

3. Attach the a/c vents to the radio housing. (Figure C)
4. Snap the hazard switch into the radio housing. (Figure D)
5. Attach (4) panel clips to the radio housing. (Figure D)

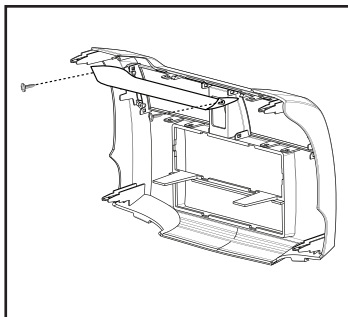
Continue to Kit Assembly



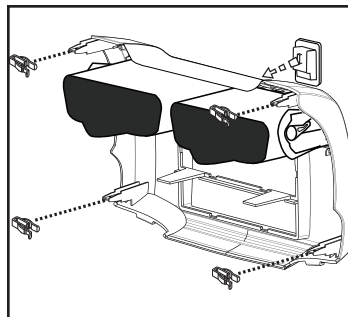
(Figure A)



(Figure C)



(Figure B)

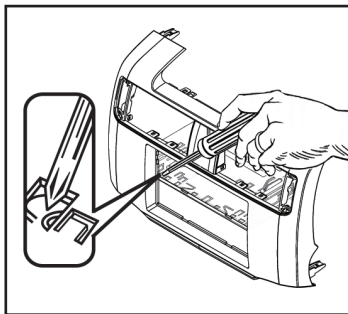


(Figure D)

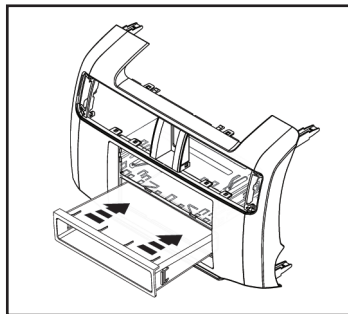
KIT ASSEMBLY

DIN radio provision with pocket

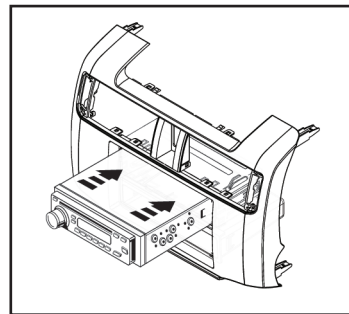
1. Remove the metal DIN sleeve from the aftermarket radio.
2. Slide the DIN sleeve into the top opening of the *radio housing* and secure by bending the metal locking tabs down. (Figure A)
3. Snap the *pocket* into the bottom opening of the *radio housing*. (Figure B)
4. Slide the radio back into the sleeve until it clicks in. (Figure C)
5. Locate the factory wiring harness in the dash. Metra recommends using the proper mating adapter from Metra or AXXESS. Test the radio for proper operation.
6. Reassemble the dash in reverse order of disassembly.



(Figure A)



(Figure B)

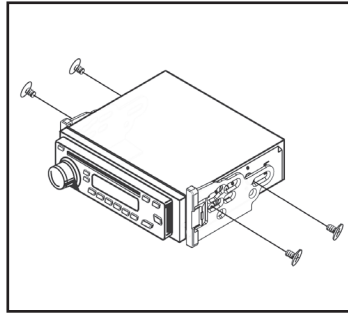


(Figure C)

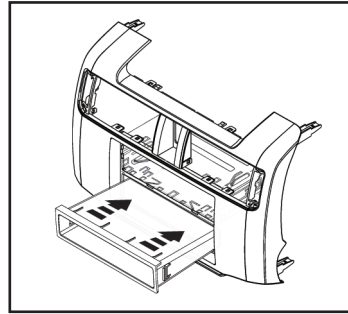
KIT ASSEMBLY

ISO DIN radio provision with pocket

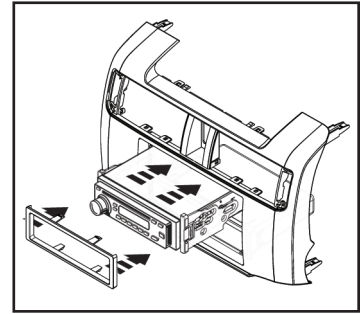
1. Remove the metal DIN sleeve and trim ring from the aftermarket radio.
3. Secure the *ISO Brackets* to the radio with the screws supplied with the radio. (Figure A)
4. Snap the *pocket* into the bottom opening of the *radio housing*. (Figure B)
5. Slide the radio/bracket assembly into the top opening of the *radio housing* until the side clips engage. (Figure C)
6. Snap the *trim plate* into the *radio housing*. (Figure C)
7. Locate the factory wiring harness in the dash. Metra recommends using the proper mating adapter from Metra or AXXESS. Test the radio for proper operation.
7. Reassemble the dash in reverse order of disassembly.



(Figure A)



(Figure B)

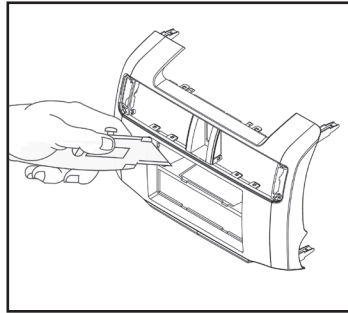


(Figure C)

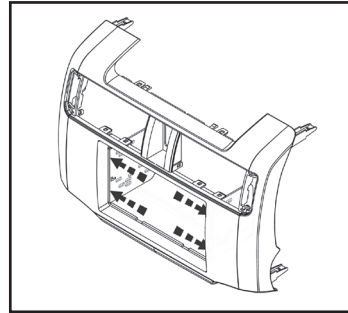
KIT ASSEMBLY

ISO DDIN radio provision

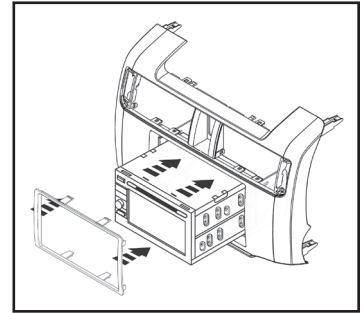
1. Cut and remove the center bar from the *radio housing*. (Figure A)
2. Snap the *ISO DDIN brackets* to the inside edge of the *radio housing*. (Figure B)
3. Slide the radio into the *radio housing*, then secure the radio using the screws supplied with the radio. (Figure C)
4. Snap the *ISO DDIN trim plate* into the *radio housing*. (Figure C)
5. Locate the factory wiring harness in the dash. Metra recommends using the proper mating adapter from Metra or AXXESS. Test the radio for proper operation.
6. Reassemble the dash in reverse order of disassembly.



(Figure A)



(Figure B)



(Figure C)



99-8227
INSTALLATION INSTRUCTIONS



IMPORTANT

If you are having difficulties with the installation of this product, please call our Tech Support line at 1-800-253-TECH. Before doing so, look over the instructions a second time, and make sure the installation was performed exactly as the instructions are stated. Please have the vehicle apart and ready to perform troubleshooting steps before calling.



KNOWLEDGE IS POWER

Enhance your installation and fabrication skills by enrolling in the most recognized and respected mobile electronics school in our industry. Log onto www.installerinstitute.com or call 800-354-6782 for more information and take steps toward a better tomorrow.



**Metra recommends MECP
certified technicians**