



# INSTALLATION INSTRUCTIONS FOR PART 99-9009

## APPLICATIONS

### VW Touareg/Touareg2 2004-2010

# 99-9009

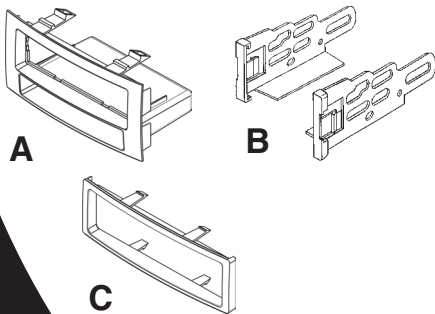


#### KIT FEATURES

- DIN Head Unit Provision with Pocket
- ISO DIN Head Unit Provision with Pocket

#### KIT COMPONENTS

A) Radio Housing • B) ISO Snap-In Brackets • C) Trim Plate



#### WIRING AND ANTENNA CONNECTIONS (Sold Separately)

##### Wiring Harness:

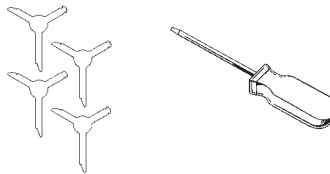
- 70- 9003 - VW Toureg Harness 2004-up

##### Antenna Adapter:

- 40-EU55 Amplified VW Antenna Adapter

#### TOOLS REQUIRED:

86-9001 Radio Removal Tools (2 sets) • Flat Blade Screwdriver



1-800-221-0932



[www.metraonline.com](http://www.metraonline.com)

© COPYRIGHT 2004-2010 METRA ELECTRONICS CORPORATION



# 99-9009

## TABLE OF CONTENTS

<b>Dash Disassembly</b> .....	<b>1</b>
<b>Kit Assembly</b> .....	<b>2-3</b>
<b>Final Assembly</b> .....	<b>4</b>
<b>Notes</b> .....	<b>5</b>



### KNOWLEDGE IS POWER

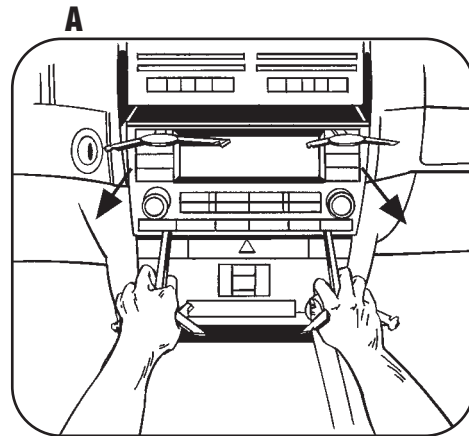
Enhance your installation and fabrication skills by enrolling in the most recognized and respected mobile electronics school in our industry. Log onto [www.installerinstitute.com](http://www.installerinstitute.com) or call 800-354-6782 for more information and take steps toward a better tomorrow.

## 2004-2010 VW TOUAREG

- 1** Disconnect the negative battery terminal to prevent an accidental short circuit.
- 2** Insert the long ends of the 86-9001 into the slots on the factory radio and pull out to remove. (Figure A)

**NOTE:**

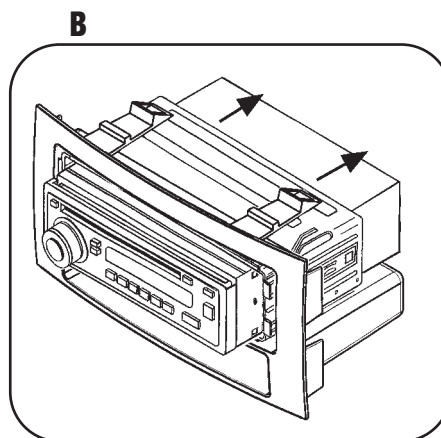
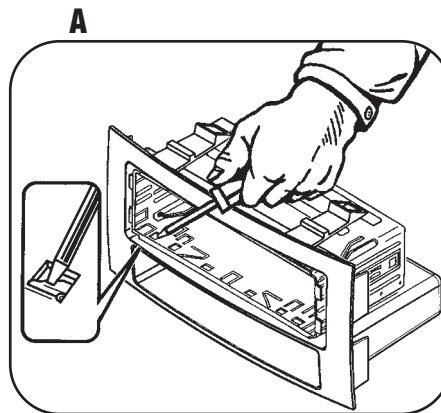
Flat edge of key should point outward.



**DASH DISASSEMBLY**

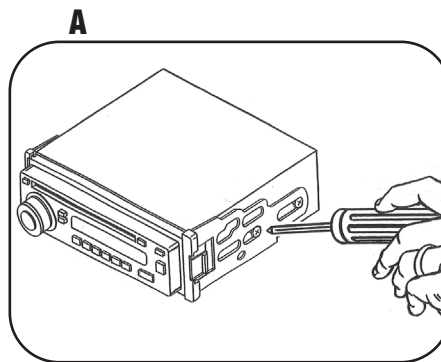
### DIN HEAD UNIT PROVISIONS

- 1 Slide the DIN cage into the Radio Housing and secure by bending the metal locking tabs down. (Figure A)
- 2 Slide the aftermarket head unit into the cage and secure. (Figure B)

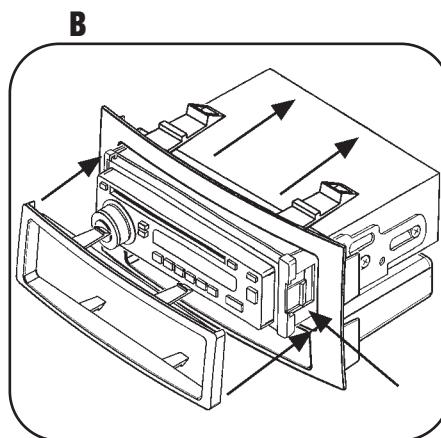


## ISO DIN HEAD UNIT PROVISIONS

**1** Mount the ISO Brackets to the head unit with the screws supplied with the unit. (Figure A)

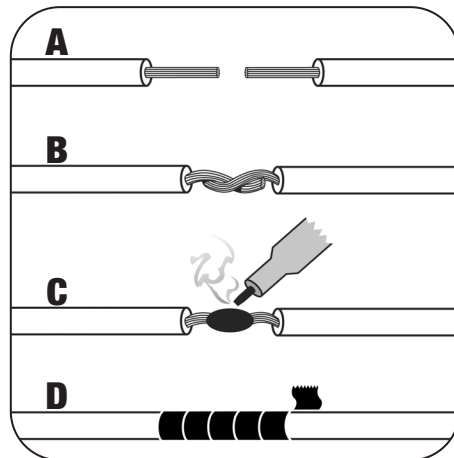


**2** Slide the head unit into the radio opening until the side clips engage. (Figure B)



**3** Snap the Trim plate into the Radio Housing. (Figure B)

**KIT ASSEMBLY**

**FINAL ASSEMBLY**

- A) Strip wire ends back 1/2"**
- B) Twist ends together**
- C) Solder**
- D) Tape**

- 1** Locate the factory wiring harness in the dash. Metra recommends using the proper mating adapter and making the connections as shown. (Isolate and individually tape off the ends of any unused wires to prevent electrical short circuit)
  
- 2** Re-connect the negative battery terminal and test the unit for proper operation.
  
- 3** Reassemble radio and dash assemblies in reverse order of disassembly.



**99-9009**

**NOTES**

# INST99-9009



**1-800-221-0932**



**[www.metraonline.com](http://www.metraonline.com)**

Rev. 04-27-10

© COPYRIGHT 2004-2010 METRA ELECTRONICS CORPORATION

INST99-9009