



Nissan Sentra 2000-2006

Visit MetraOnline.com for more detailed information about the product and up-to-date vehicle specific applications

KIT FEATURES

- ISO DDIN radio provision
- Textured

KIT COMPONENTS

- A) Radio housing • B) Climate control trim panel • C) Radio brackets • D) Climate control bracket set #1 • E) Climate control bracket set #2 • F) Climate control cable clamp bottom (2) • G) Climate control cable clamp top (2) • H) #8 x 3/8" Phillips screws (8) • I) #6 x 7/8" Phillips screws (4) • J) Speed clips (2) • K) Metal panel clips (4) • L) Plastic panel clips (2)

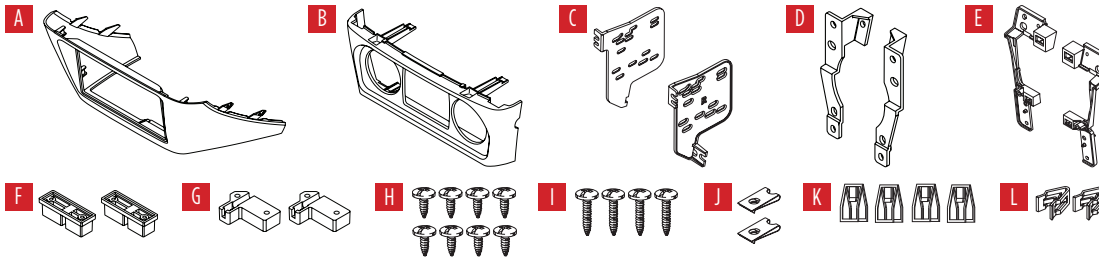


TABLE OF CONTENTS

Dash Disassembly	2-3
Kit Preparation	4
Kit Assembly	5-6

WIRING & ANTENNA CONNECTIONS (sold separately)

Wiring Harness: Visit metraonline.com for audio/video and steering wheel control interface options.
Antenna Adapter: Not required

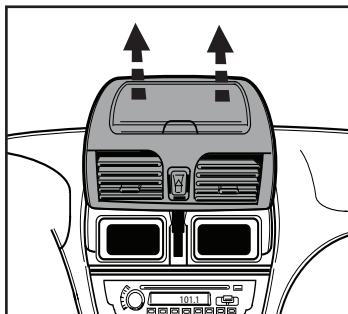
TOOLS REQUIRED

- Panel removal tool • Phillips screwdriver
- Socket wrench

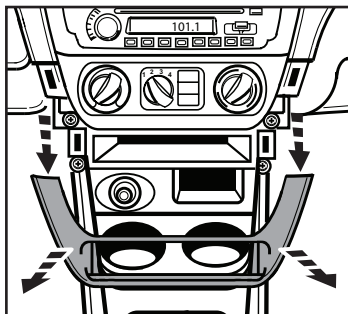
Attention! With the key out of the ignition, disconnect the negative battery terminal before installing this product. Ensure that all installation connections are secure before cycling the ignition to test this product.

DASH DISASSEMBLY

1. Open the storage compartment above the radio, and pull out on the lip of the compartment to remove the compartment/AC vent assembly. (Figure A)
2. Below the climate control, unclip and remove the trim panel around the pocket. (Figure B)



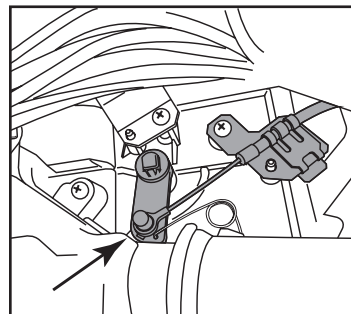
(Figure A)



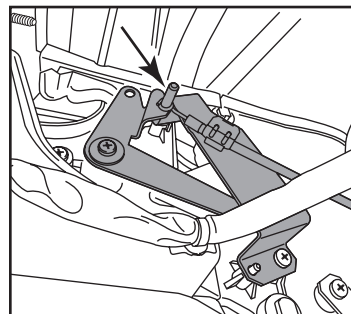
(Figure B)

3. Disconnect the (2) climate control cables from under the dash on the driver's side above the accelerator pedal. **Note:** Observe the route that the cables take through the dash so you can put them back in the same place in Kit Assembly (Figure C, D)

Continued on the next page



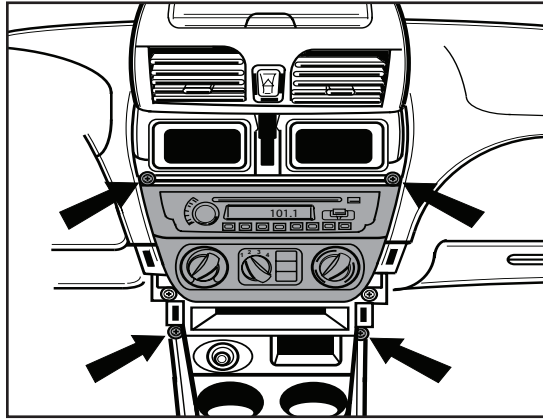
(Figure C)



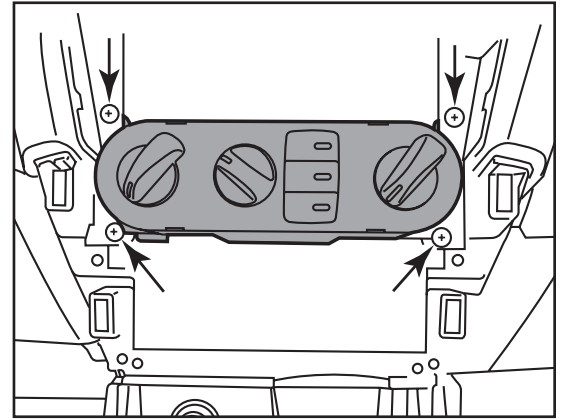
(Figure D)

DASH DISASSEMBLY (CONT.)

3. Remove (4) screws securing the radio/ climate-control/pocket assembly (two on top, two on bottom), then unplug and remove the entire assembly. (Figure E)
5. Remove (4) Phillips screws securing the climate control to the sub dash. (Figure F)
6. Twist the climate control inside the dash cavity and pull out to remove.
Note: Observe the route that the cables take through the dash so you can put them back in the same place in Kit Assembly.



(Figure E)



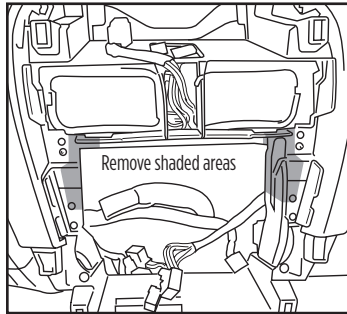
(Figure F)

Continue to Kit Preparation

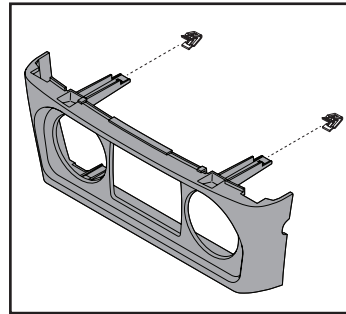
KIT PREPARATION

1. Cut the sub-dash in the shaded areas indicated to allow for the relocation of the climate controls. (Figure A)
2. Attach the (2) **orange plastic panel clips** to the **climate control trim panel**. (Figure B)
3. Attach the (4) **metal panel clips** to the **radio housing**. (Figure C)

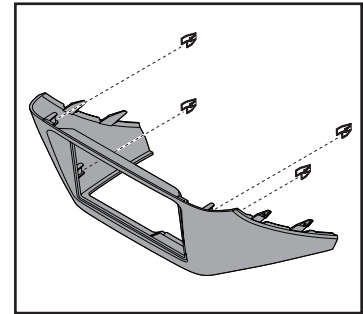
Continue to Kit Assembly



(Figure A)



(Figure B)

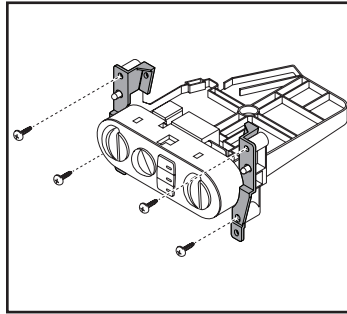


(Figure C)

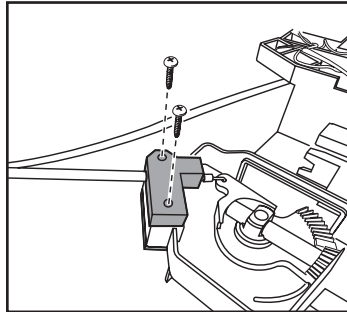
KIT ASSEMBLY

1. Attach **climate control bracket set #1** to the climate control using the factory hardware. (Figure A)
2. If the locations where the climate control cables attach to the controls are broken, use the supplied climate control cable clamps. Use a top and bottom and (2) #6 x 7/8" Phillips screws per cable to secure to the controls. (Figure B)
3. Attach **climate control bracket set #2** to the sub dash using (2) factory screws up top and the supplied (2) speed clips and (2) #8 x 3/8" Phillips screws provided down low. (Figure C)

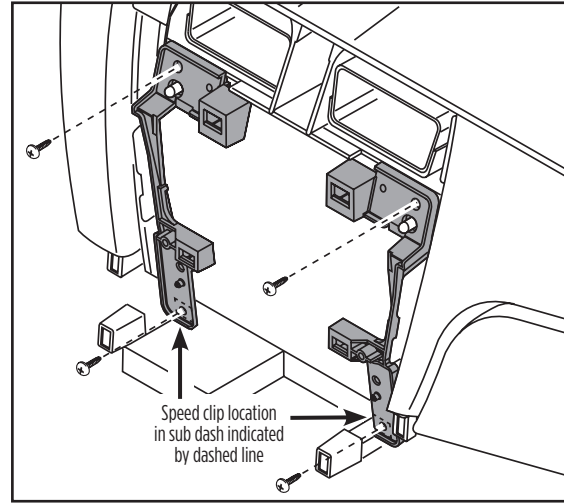
Continued on the next page



(Figure A)



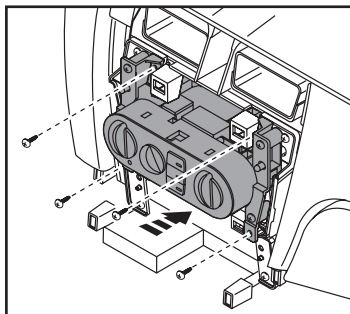
(Figure B)



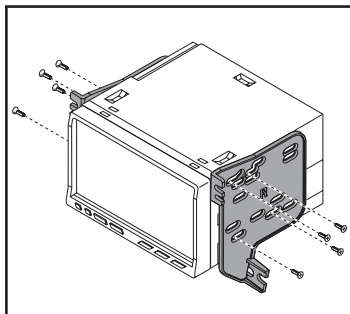
(Figure C)

KIT ASSEMBLY (CONT.)

- Secure the climate control to **bracket set #2** in the sub dash using (4) #8 x 3/8" Phillips screws provided. (Figure D)
- Re attach the climate control cables under the driver's side of the dash.
- Attach the **radio brackets** to the radio using screws supplied with the radio. (Figure E)

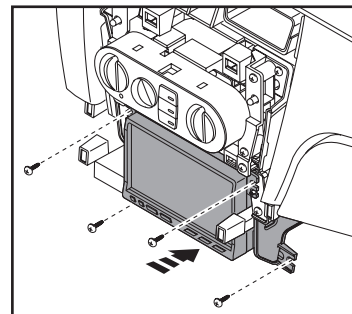


(Figure D)



(Figure E)

- Secure the radio/bracket assembly to **bracket set #2** and the sub dash using (2) #8 x 3/8" at the top and (2) factory screws at the bottom. (Figure F)
- Locate the factory wiring harness and antenna connector in the dash, and complete all necessary connections to the radio. Metra recommends using the proper mating adapter from Metra and/or AXCESS. Re-connect the negative battery terminal and test the radio for proper operation.
- Reassemble the dash in reverse order of disassembly using the DP-7414 **radio trim panel** and **climate control trim panel**.



(Figure F)



DP-7414

INSTALLATION INSTRUCTIONS



Having difficulties? We're here to help.



Contact our Tech Support line at:

386-257-1187



Or via email at:

techsupport@metra-autosound.com

Tech Support Hours (Eastern Standard Time)

Monday - Friday: 9:00 AM - 7:00 PM

Saturday: 10:00 AM - 7:00 PM

Sunday: 10:00 AM - 4:00 PM



KNOWLEDGE IS POWER

Enhance your installation and fabrication skills by enrolling in the most recognized and respected mobile electronics school in our industry. Log onto www.installerinstitute.edu or call 386-672-5771 for more information and take steps toward a better tomorrow.



Metra recommends MECP certified technicians