



Updated Multi-Mount Camera System

Visit iBeamUSA.com to view the available installation parts and safety accessories.

Scan QR code to see YouTube playlist videos from iBeam.



FEATURES

- PC7070D ¼ CMOS sensor, ¼" optical format
- 150 ° viewing area
- Selectable output, and defeatable parking lines
- Pixel size: 5.6UM x 5.6UM
- Voltage: 6-16 VDC
- 20mA
- Minimum Lux: 0.3Lux
- 3 Year Warranty

System Includes

- 5 universal mounts
- 2M/6.5FT camera cable
- 6M/19.6FT video and power mixed cable with a mirror/non-mirror image switch and a parking line on/off switch

System Adapters:

Eyeball camera



Flush mount



License Plate mount



Rubber mount



Square mount



Angled mount



The universal eye-ball camera has been specifically designed to seamlessly integrate with iBEAM's selection of camera accessories. While they share a resemblance with other products within the iBeam lineup, it's important to note that these are exclusively tailored for the TE-5MSC universal camera system.



TABLE OF CONTENTS

Overview	
Wiring	2
Mounts	
Angled	3
Rubber	4
Flush	5
Square butterfly	6
Behind license plate	7
Specifications	8

Red wire: +12V DC Reverse trigger or Accessory wire – The power wire can be connected to accessory or reverse trigger. This wire is camera power, some reverse trigger wires don't carry enough current to power the camera or are pulse width modulated. You can elect to use a TE-FLTR (sold separately), or connect the camera to accessory power which is recommended. The Red wire is a power wire on both ends and only one side needs to be connected.

Black wire: Ground – The ground wire is meant to be connected to a chassis ground, and can be connected to the black wire on either end of the harness. The ground needs to be clean unpainted metal.

Purple wire: Trigger from source to Monitor or radio.

White wire: Video output mode

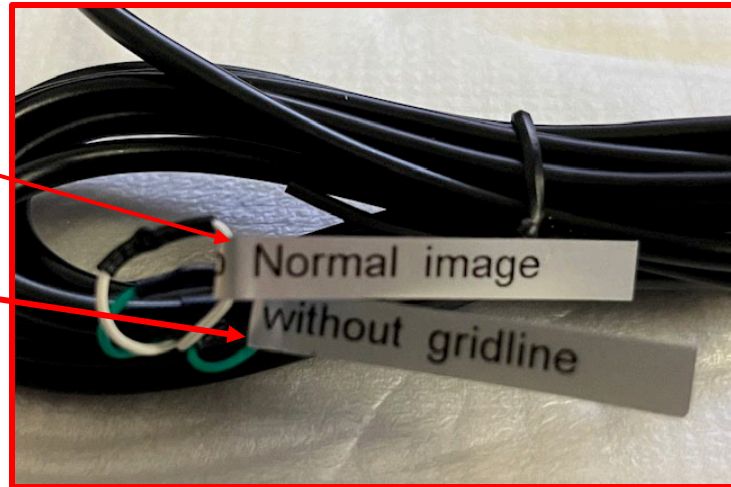
Looped: Standard image

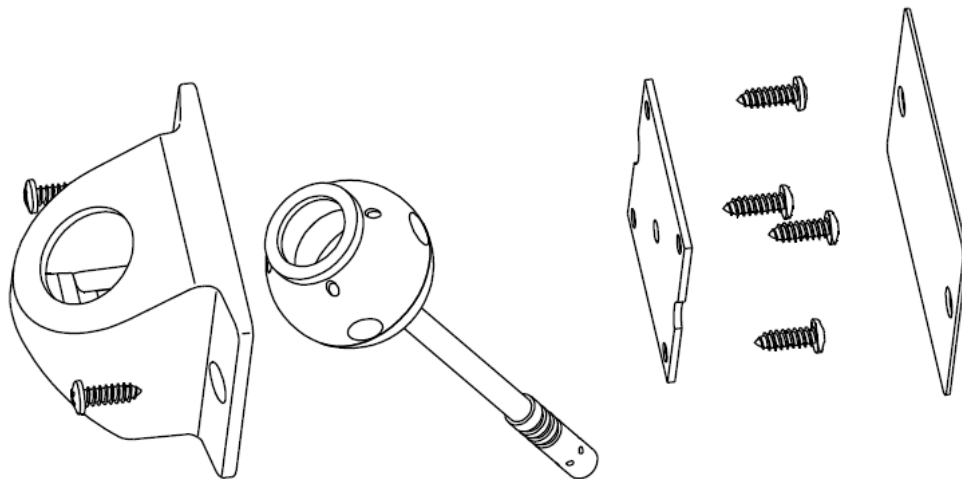
Cut loop: Mirrored image

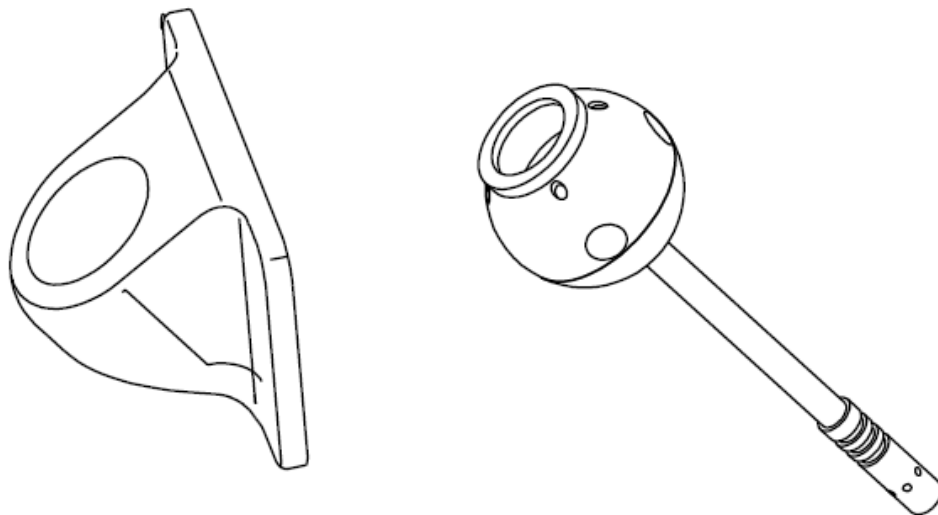
Green wire: Parking lines

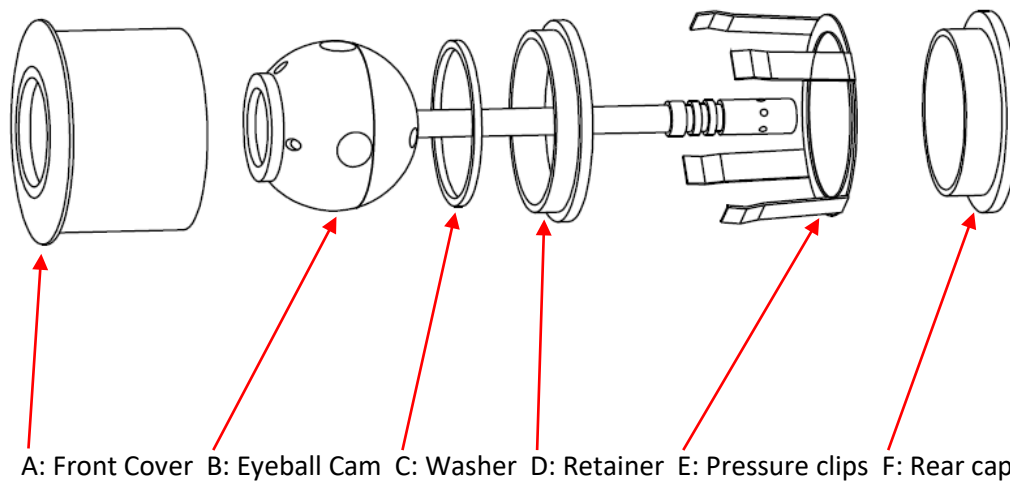
Looped: With parking lines

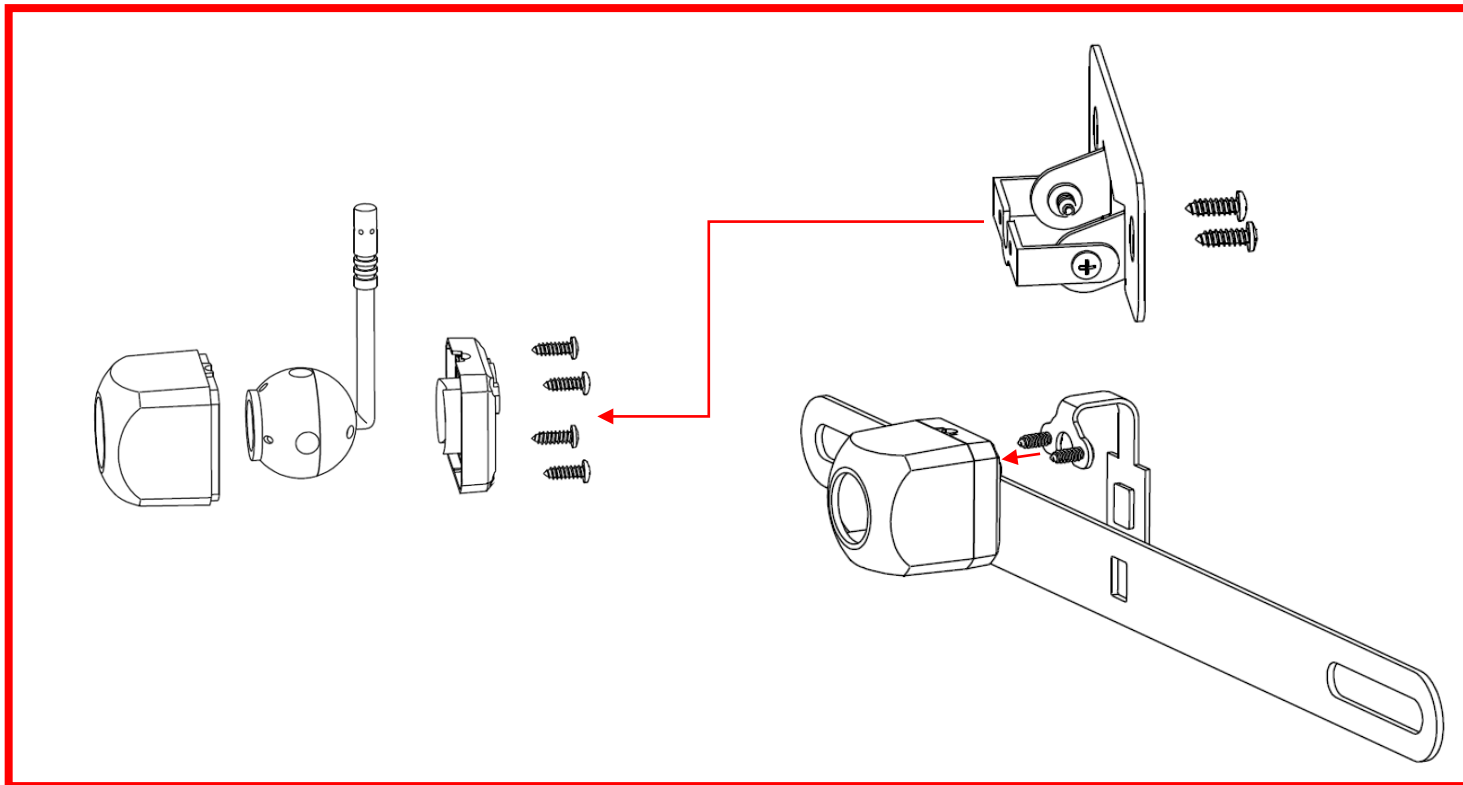
Cut loop: No parking lines



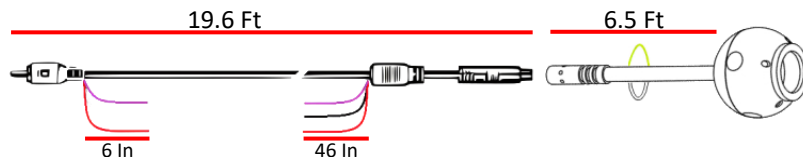








Specifications: Cable lengths



Specifications: Camera

VOLTAGE MIN/MAX	6 - 16 VOLTS
POWER CONSUMPTION	1.0v P-P / 75Ω
VIEWING ANGLE	DIAGONAL :150°
IP RATING	IP68
LOW LIGHT	0.3LUX [Excellent low light performance]
UV PROTECTED	YES
SELECTABLE IMAGE	YES
DEFEATABLE PARKING LINES	YES

What's in the box:

- Eyeball camera
- Camera video and power wire
- 5 mounting options
- Hole saw
- Installation hardware

Having difficulties?

Contact our tech support line at:
Techsupport@metra-sutosound.com

Or via phone at:
368.257.1187

TECH SUPPORT HOURS (EST)

Monday-Friday: 9:00AM - 7:00PM
Saturday: 10:00AM - 5:00PM
Sunday: 10:00AM - 4:00PM

Closed for most US Federal Holidays