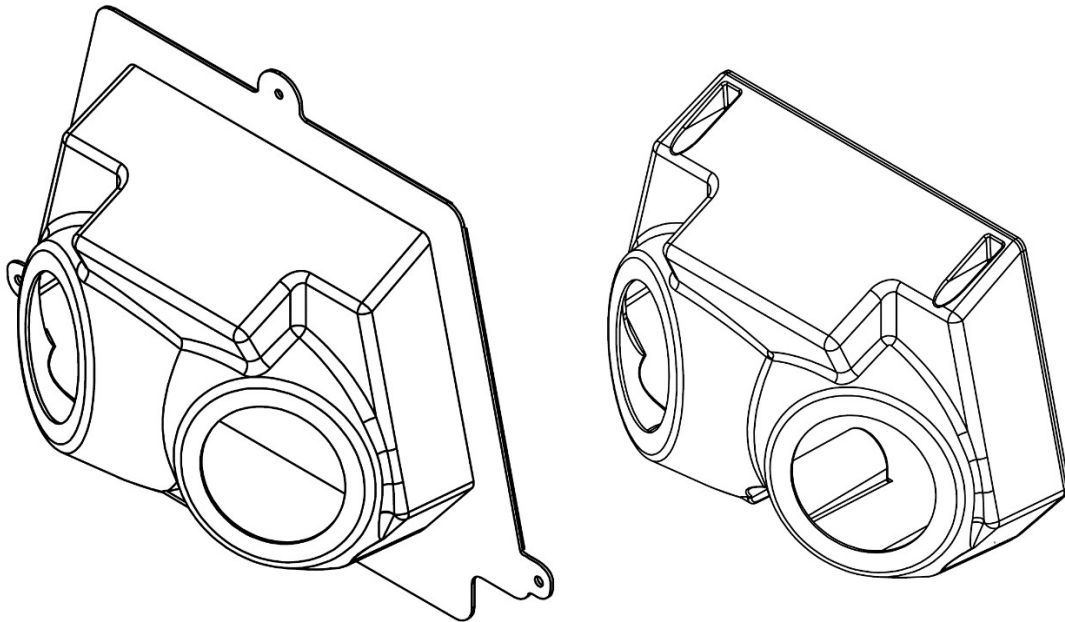




# MPS-RZROHC / OH-UNI02

Overhead Stereo Console  
Polaris UTV's &  
Universal Applications





## Introduction

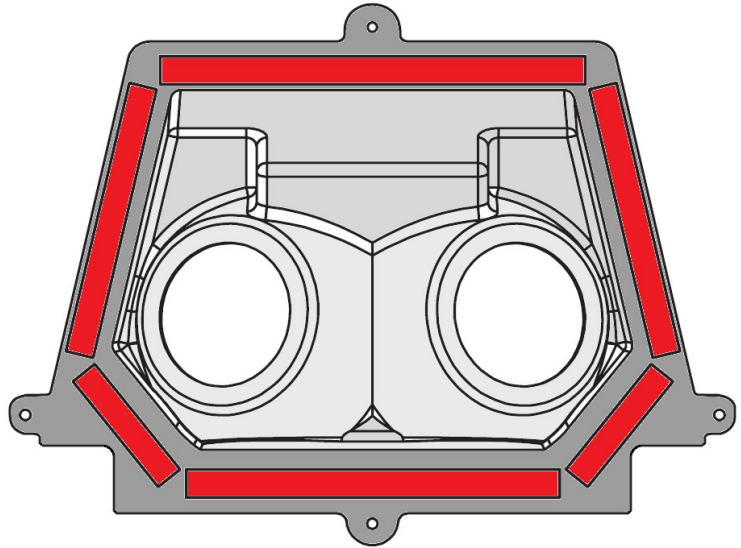
Now you can wire your Polaris UTV to play your tunes with these new overhead consoles. The MPS-RZROHC is designed specifically for Polaris UTV's with hardtop roofs, whereas the OH-UNI02 is universal. Made of ABS, the consoles mount above you, keeping electronics up high and out of mud and water, keeping them from being bumped by feet or knees. The console comes with the ability to install any media you choose, such as a double DIN or single DIN radio, Bluetooth® receiver, etc. The consoles have 2 speaker cut outs allowing the installation of either 6.5" - 6.75" speakers.



**Parts Included:**

**MPS-RZROHC**

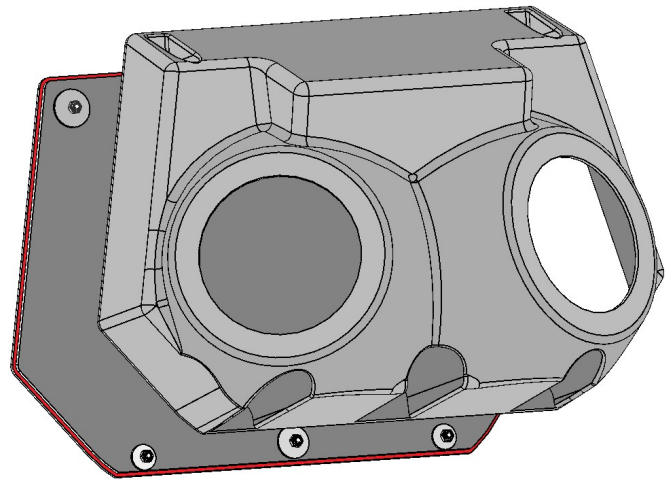
- Overhead media console w/ 3M tape
- Cutout template
- Single or double DIN compatible
- Mounting hardware
  - Fender washer qty. (4)
  - Washer qty. (4)
  - Machine Screw qty. (4)
  - Nyloc nut qty. (4)
- Installation instructions



**OH-UNI02**

- Media shell
- Mounting Base
- Cutout template
  - Single or double DIN compatible
- Installation Instructions

Comes Bolted Together With →



Thank you for purchasing Metra PowerSports® products for your Polaris® / ATV, UTV  
Installation is fairly simple with the right tools and good mechanical abilities. If you are not confident with your mechanical abilities, please seek the help of a professional to perform the installation for you. Please read through this instruction booklet thoroughly to have a clear understanding of what is to be expected, before proceeding with the installation.

Always disconnect any power sources connected to your vehicle before servicing fuses or electrical systems.



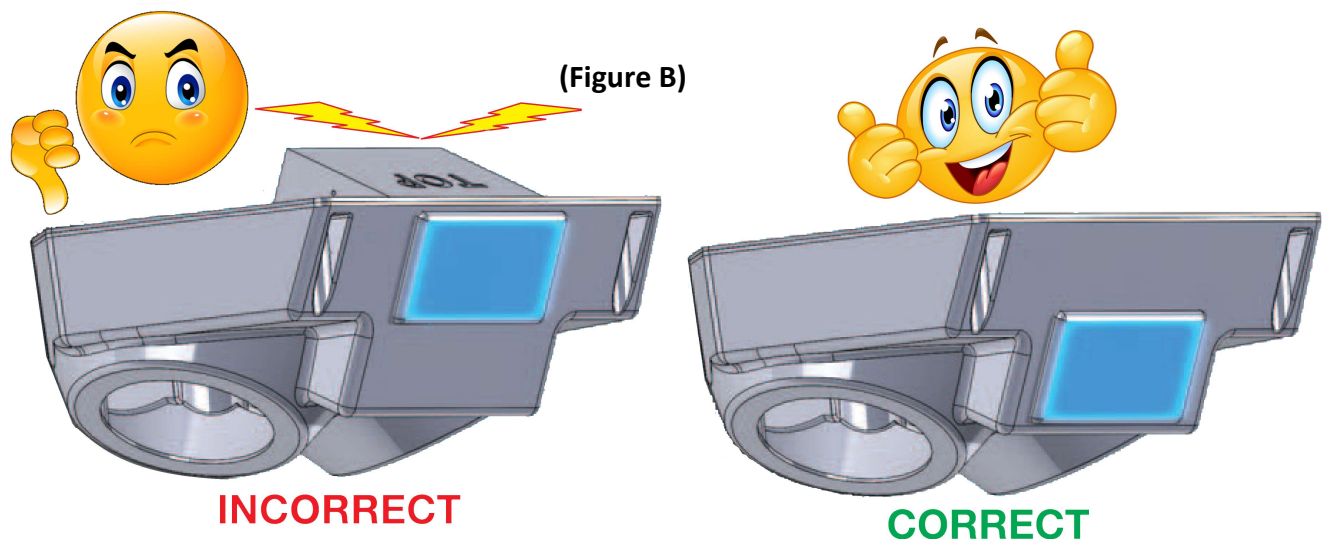
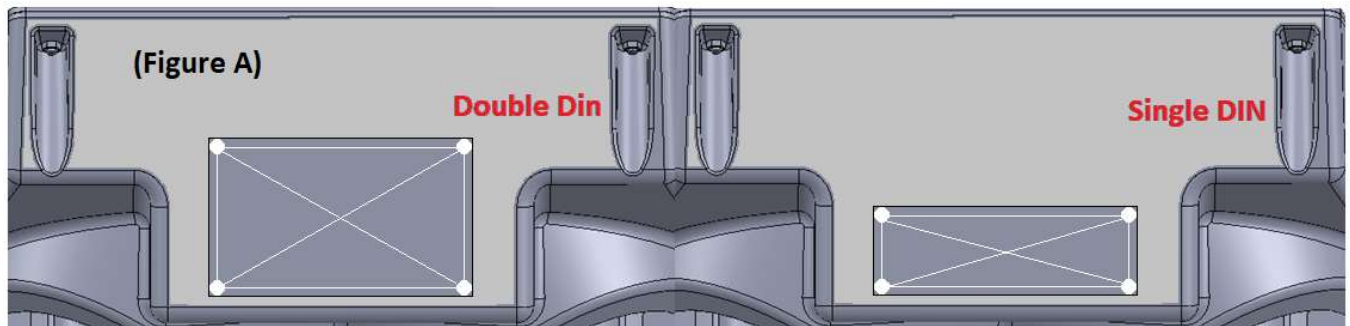
### Tools Required

- Cutting tool (plastic)
- Drill with drill bit (RZROHC ¼, UNI02 3/16)
- Nut driver or deep socket (RZROHC 10mm, UNI02 8mm)
- Phillips screwdriver
- Marker or scribe
- Rubbing alcohol and adhesion promoter
- Silicone sealant or equivalent
- Tape measure

### OH-UNI02

#### Radio Installation

1. Align the template provided to the desired location on the console, taking note not to install the radio too high up in the console. (Figures A & B)
2. Mark or score the outline, then cut out the opening.
3. Locate the desired side to route the radio wires and antenna coax cable through, then drill an appropriate size hole to accommodate the wires and antenna coax cable.
4. Wire up and install the radio according to the installation manual provided with the radio.

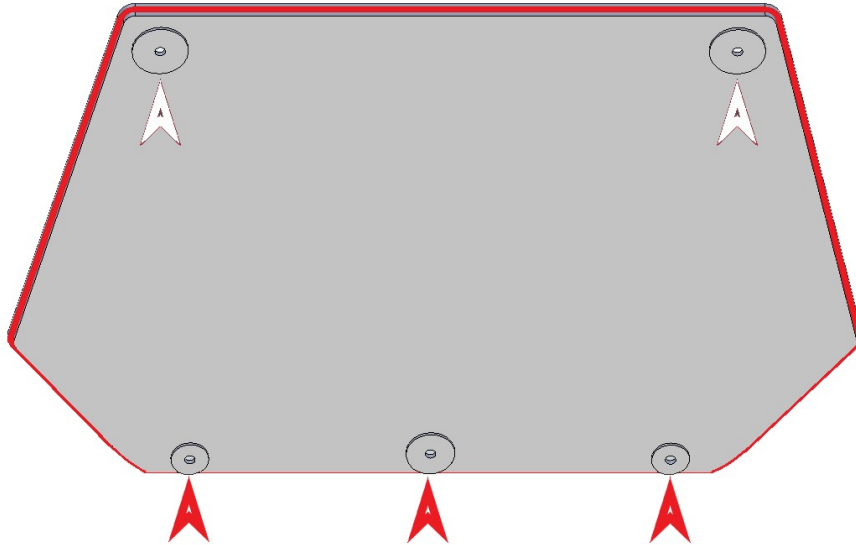




### Overhead Console Installation

1. Remove the (5) screws and nuts that hold together the **UNI02**, then remove the top plate.  
**Note:** Do not remove double-sided tape at this time.
2. Hold the base from the **UNI02** to the desired location in the vehicle, then mark out the (5) hole locations to be drilled in the vehicle. Drill at minimum, the four corner locations, with a 3/16" drill bit. Five holes are ideal, but depending on the shape of the roof, that may not be possible.
3. Clean the edges of the **UNI02** with rubbing alcohol where the double stick tape will adhere to the base, then apply adhesion promoter to the inside edge of the **UNI02** shell.
4. Remove the double-sided tape, then assemble the (2) pieces together with the (5) screws, bolts, and washers provided. The fastener assembly will hold the entire assembly to the vehicle.  
**Note:** Because the **UNI02** is universal, it is best to determine the proper size screws, bolts, and washers for your application. If the screws, bolts, and washers provided are not sufficient, an alternative size will have to be sourced.  
**Tip:** Heating the tape with a heat gun will help it to adhere better.
5. For nonconforming or irregular tops, a filler foam between the console and roof is suggested. (foam not included)

**Note:** Always use a sealing product (silicone etc.) on any exposed exterior mounting of your top to provide a watertight seal.

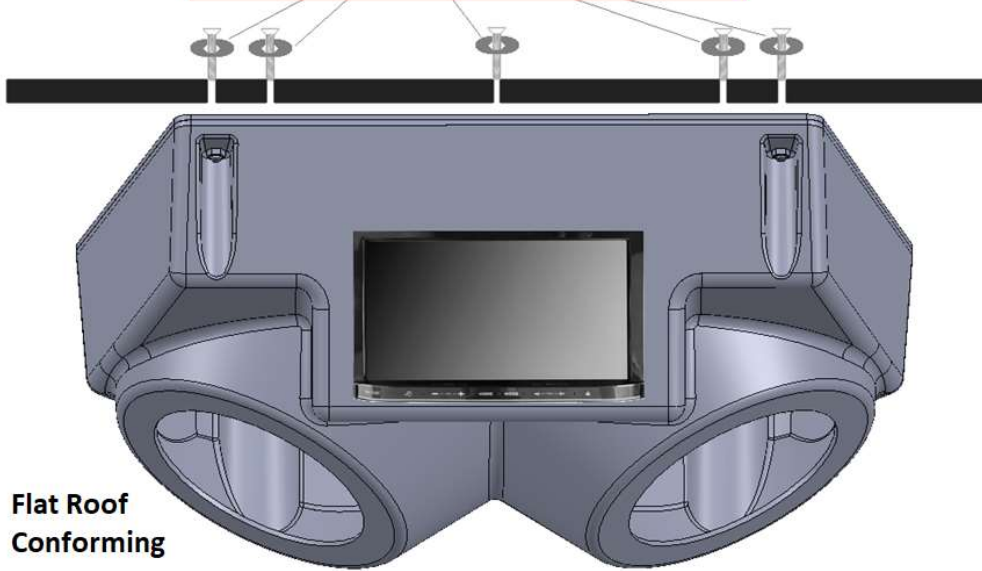


*Continued on the next page*



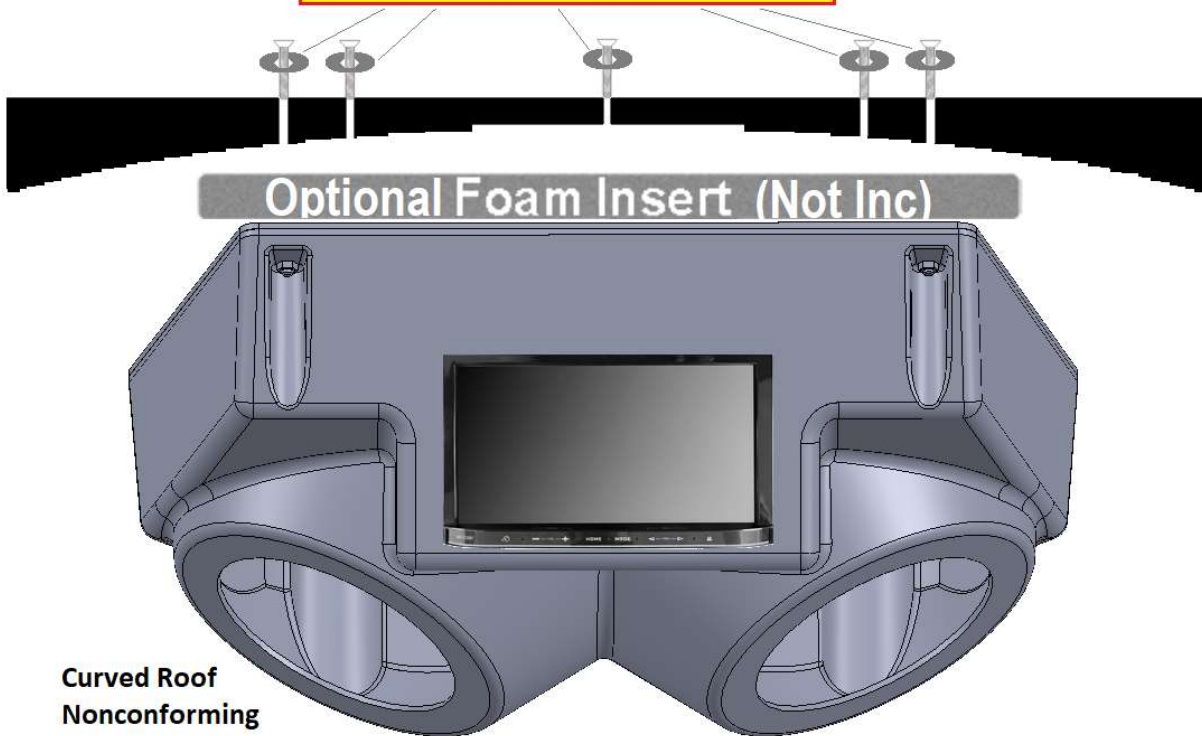
UNI02

Fender Washers Optional Not Included



UNI02

Fender Washers Optional Not Included

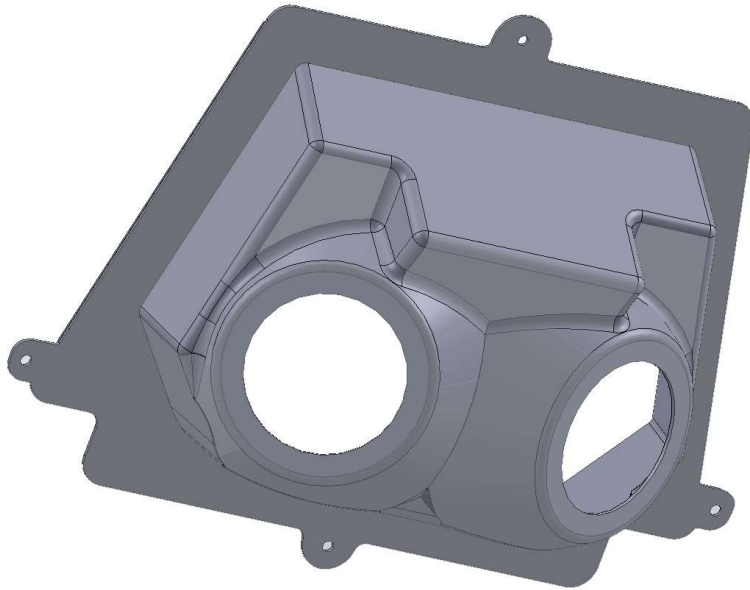






## MPS-RZROHC

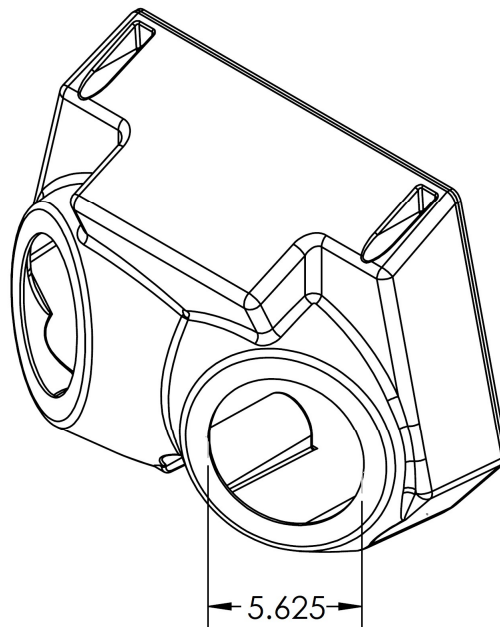
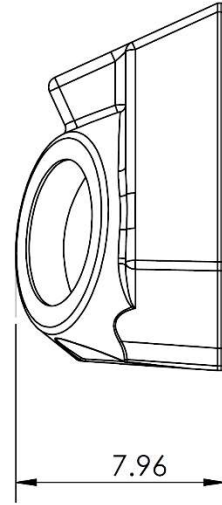
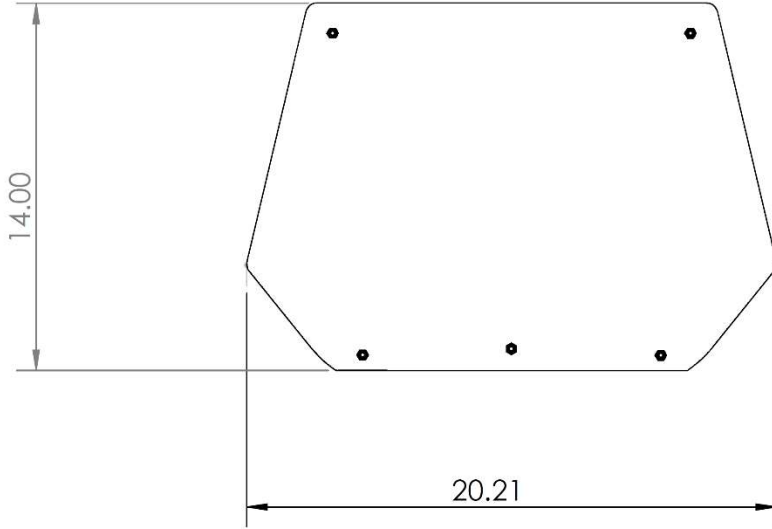
1. Remove the roof assembly from the vehicle in preparation for the installation of the MPS-RZROHC.
2. Place the console in between the overhead roll bar, so that it rests within the center of the tubes.
3. Temporarily remove the top to view where the roof clamps are, so as not to get in the way.
4. Align the console so that it avoids the roof mounting clamps.
5. Mark the holes to be drilled, then drill the holes with a  $\frac{1}{4}$  drill bit (not provided).
6. Remove the roof, then place upside down to mount the MPS-RZROHC.
7. Line up the console with the holes previously drilled.
8. Clean the contact areas with rubbing alcohol, then apply adhesion promoter.
9. Remove the double-sided tape, then adhere the console to the roof.  
**Note:** Heating the double stick tape with a heat gun will help it adhere better.
10. Finish up by bolting it to the roof. Apply silicone (not provided) as needed to seal up any gaps.
11. Reinstall the roof assembly, then continue on with the wiring and stereo installation.





## Specifications

UNI02

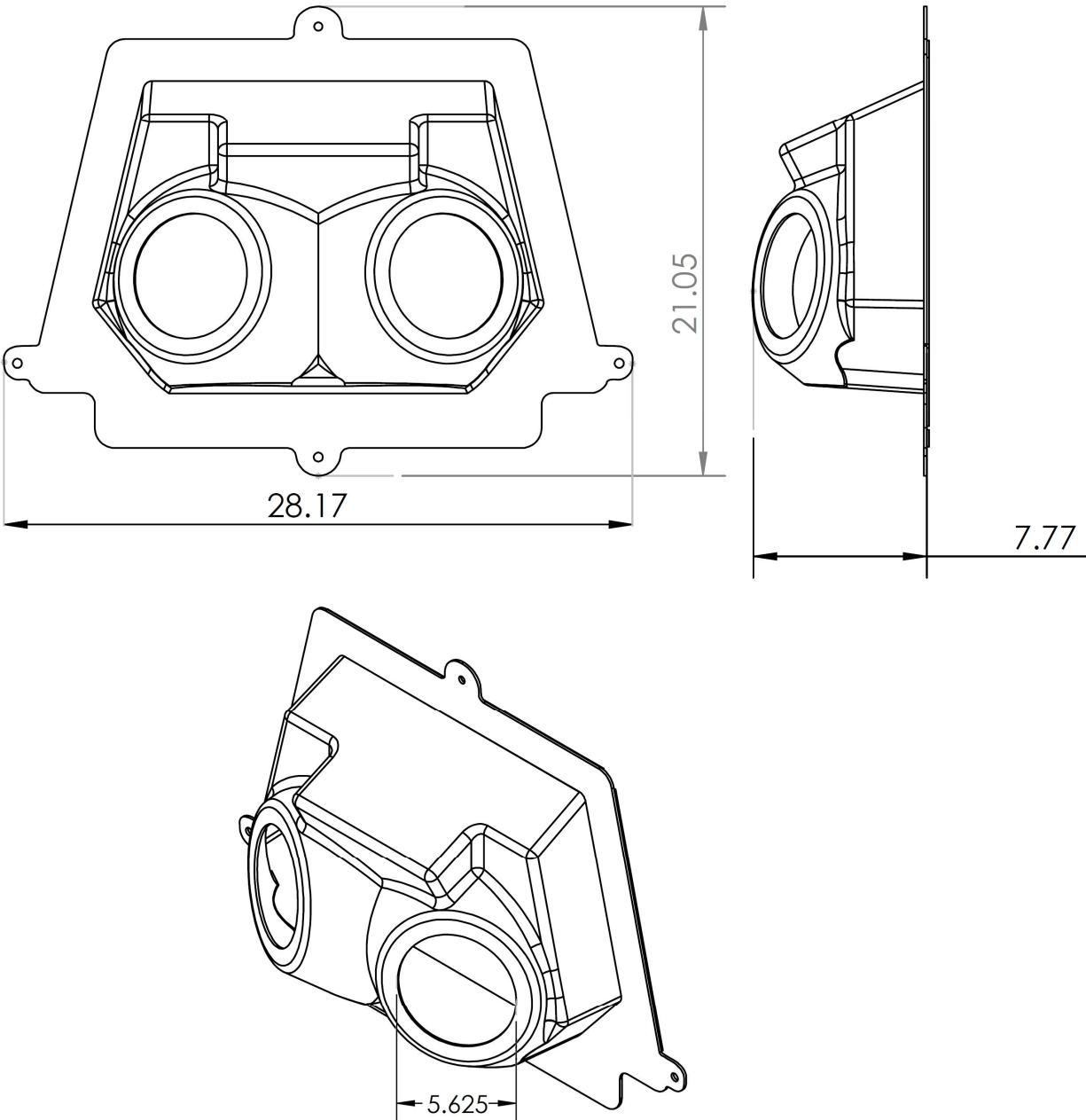






## Specifications

RZROHC







A series of horizontal lines for writing, spanning most of the page width.



**1-800-221-0932**  
**[www.MetraPowerSports.com](http://www.MetraPowerSports.com)**  
**460 Walker Street, Holly Hill, FL 32117**

Revision date: 10/08/18