







## Ford Mirror Removal

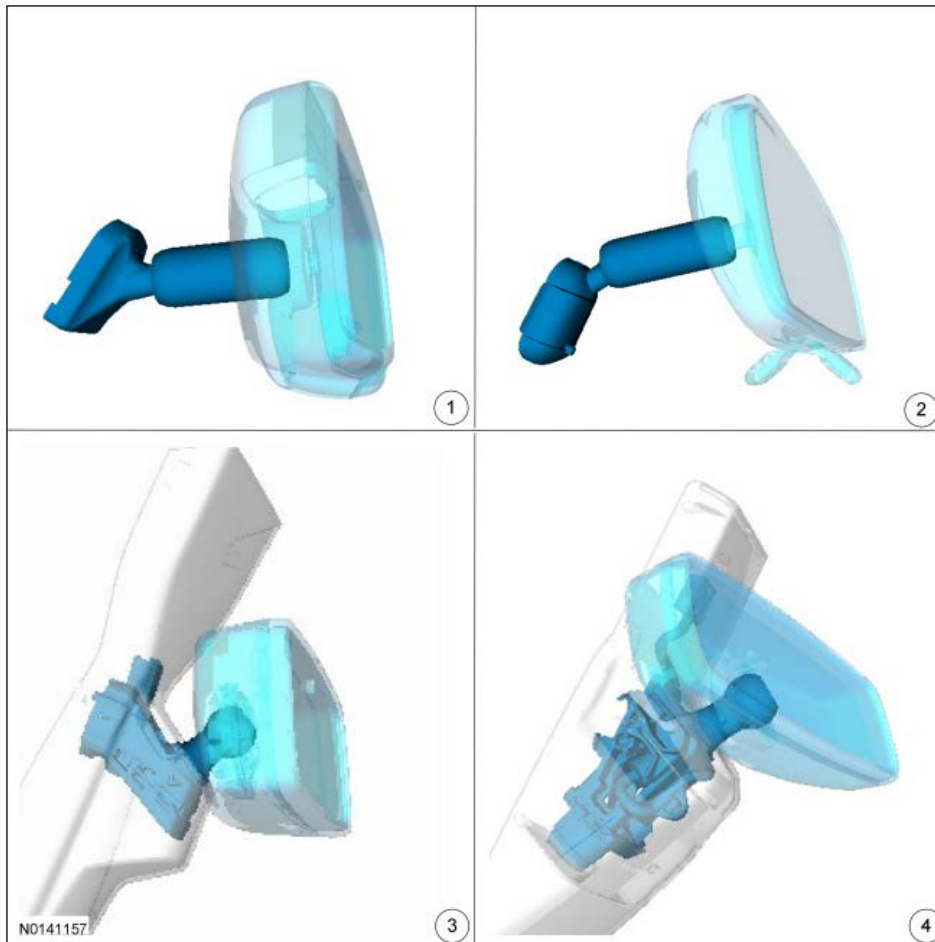
iBeamUSA.com  
MetraDealer.com  
techsupport@metra-autosound.com

 **TECH SUPPORT**  
**800-253-8324**

# Tools needed

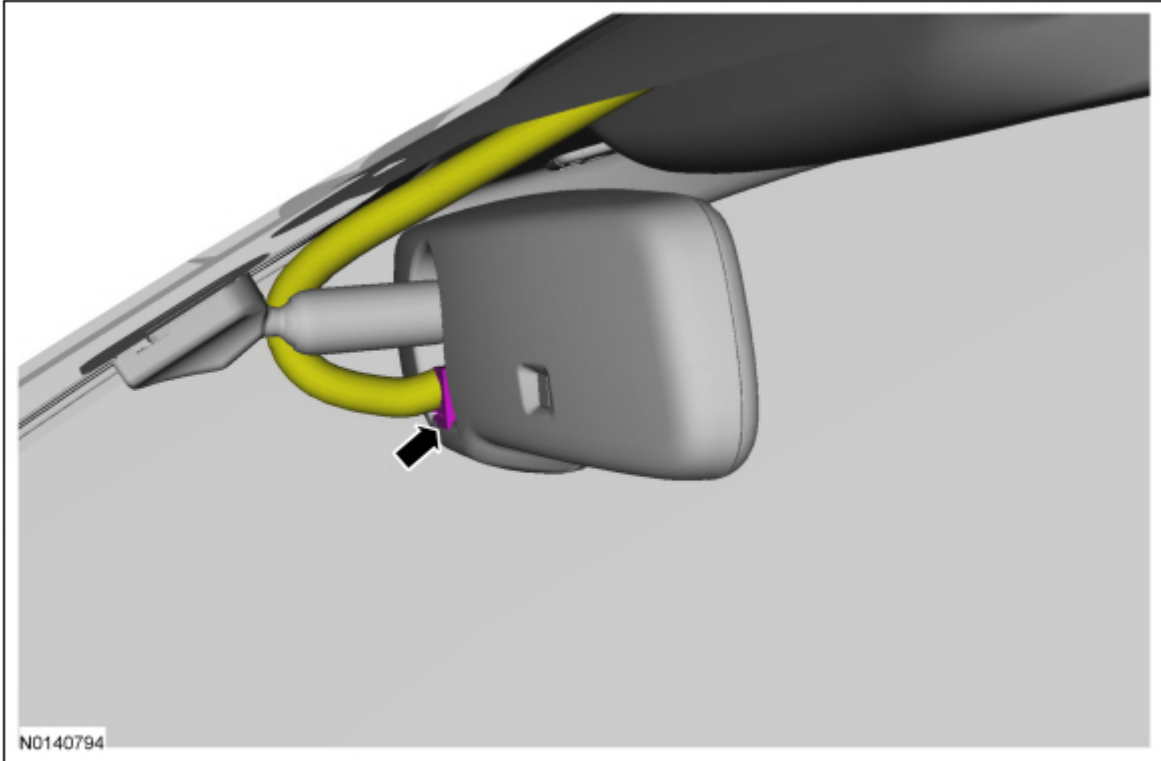
| Special Tool(s)   |  |
|---|--|
| <br>ST1793-A | Installer, Rear View Mirror<br><a href="#">501-025</a> (T94P-17700-AH) |
| <br>ST3250-A | Mirror Remover<br><a href="#">501-D118A</a>                            |
| <br>ST3311-A | Installer, Rear View Mirror<br><a href="#">501-191</a>                 |
| <br>ST3310-A | Mirror Remover<br><a href="#">501-190</a>                              |

# Mirror Identification

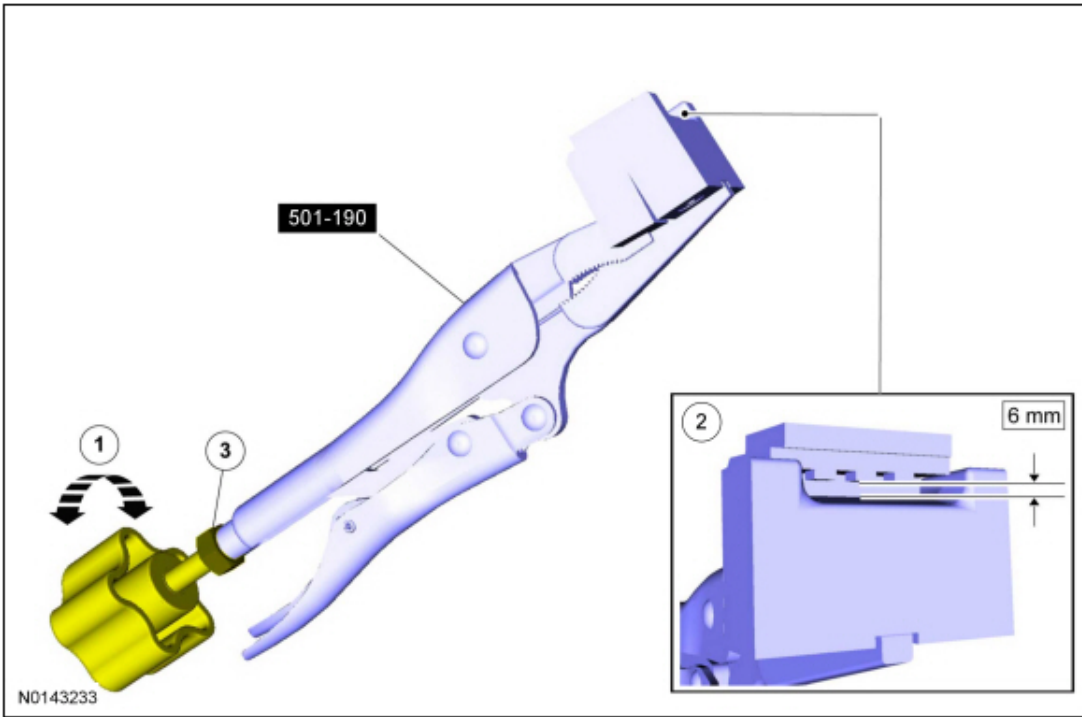


## Type 1

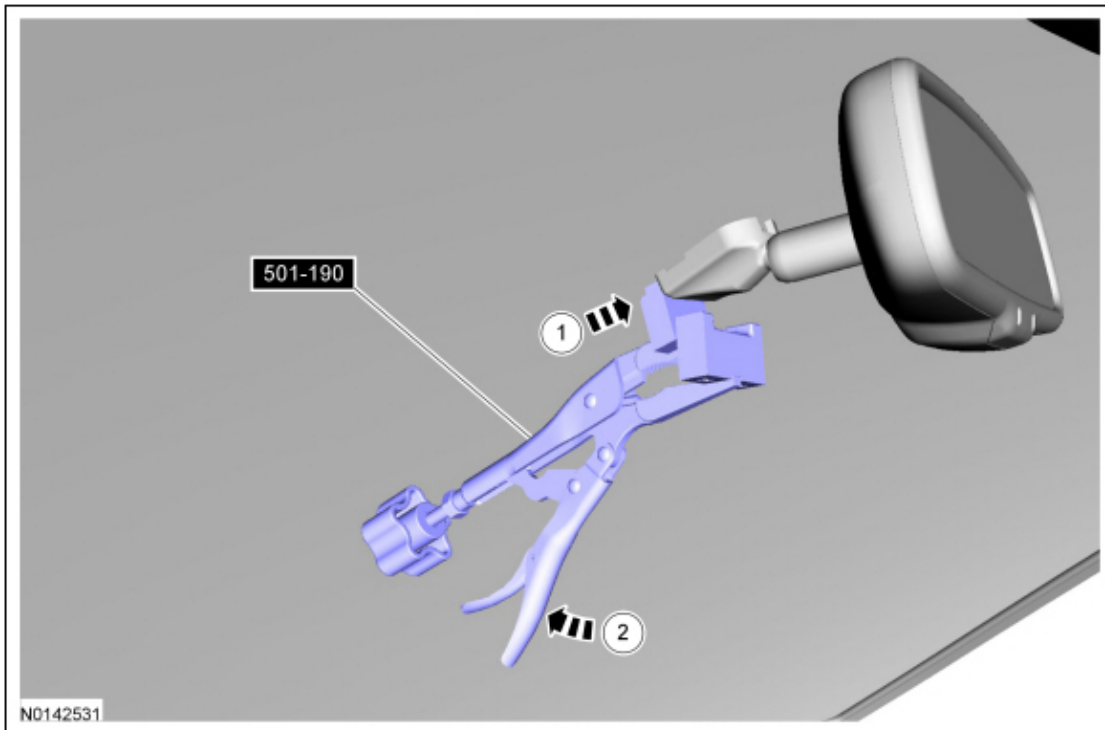
1. If equipped



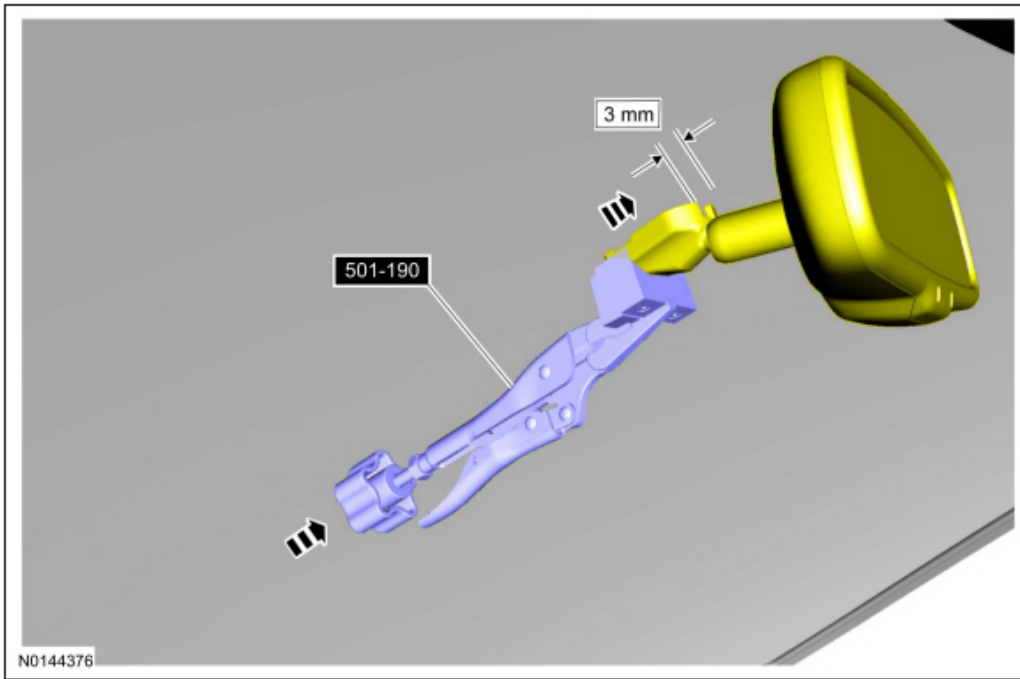
2



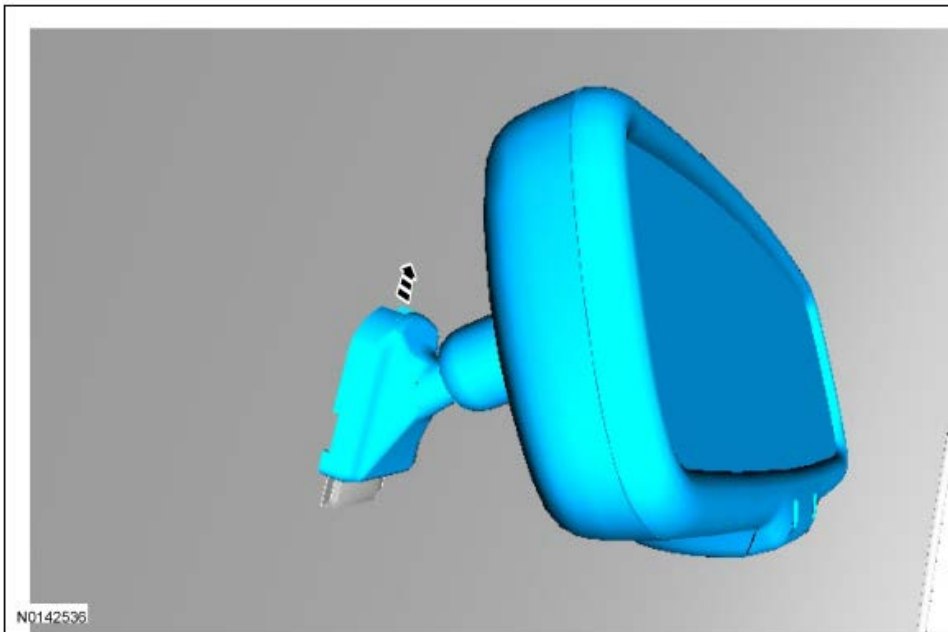
3. Notice: make sure the mirror remover is fully inserted into the interior rear view mirror mount access hole. Otherwise, damage to the windshield glass may occur.



4. Using a closed hand, bump the adjustment handle of the mirror remover to slide the mirror upward on the mirror mount.

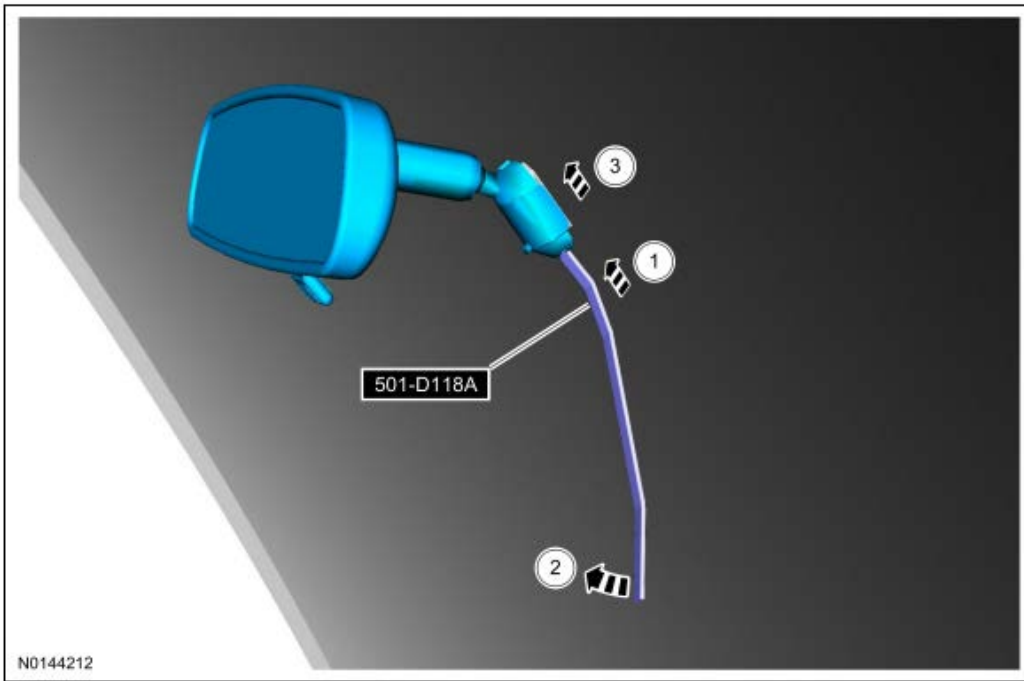


5.



## Type 2

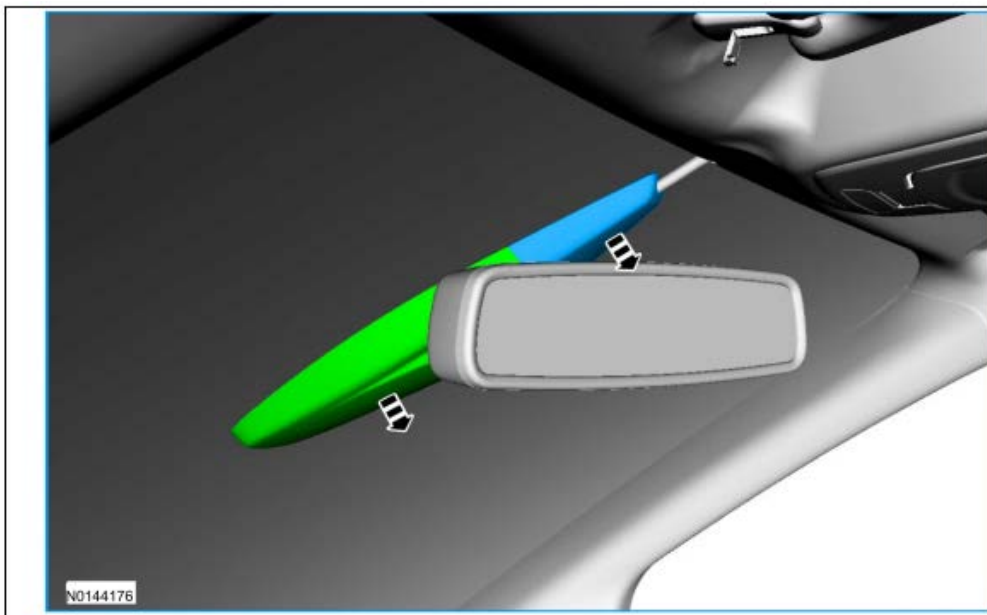
1. Place removal tool in the open slot at the base of the mirror mount and push mirror up towards the roof.



N0144212

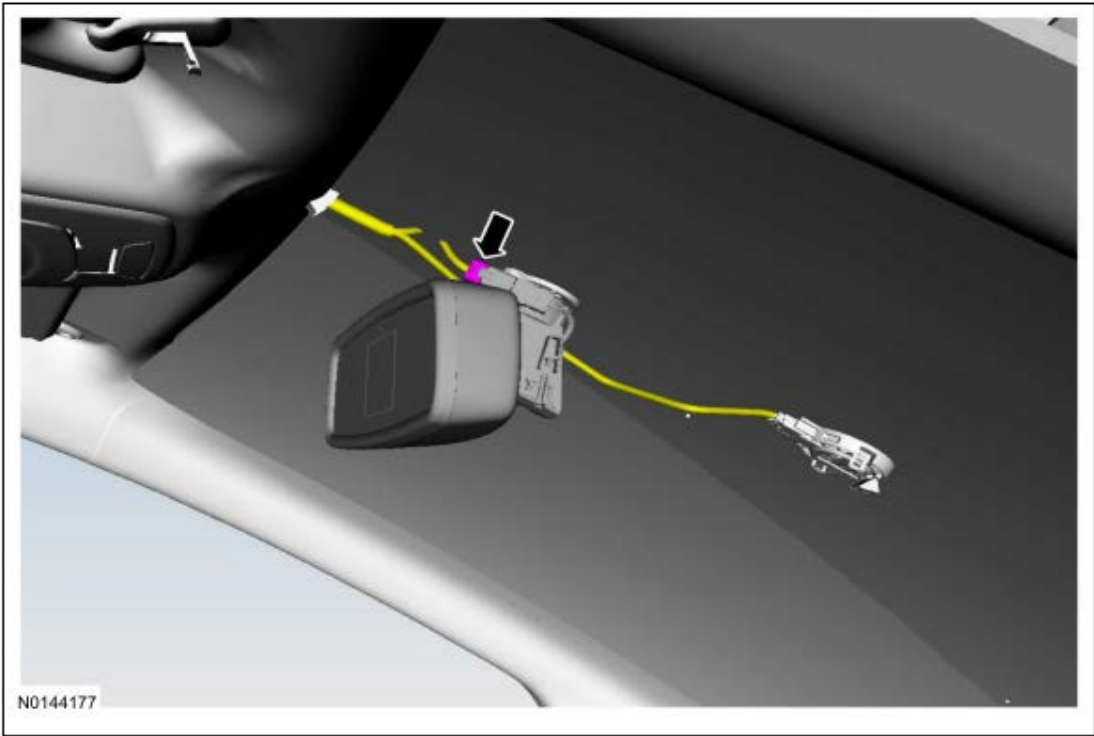
### Type 3

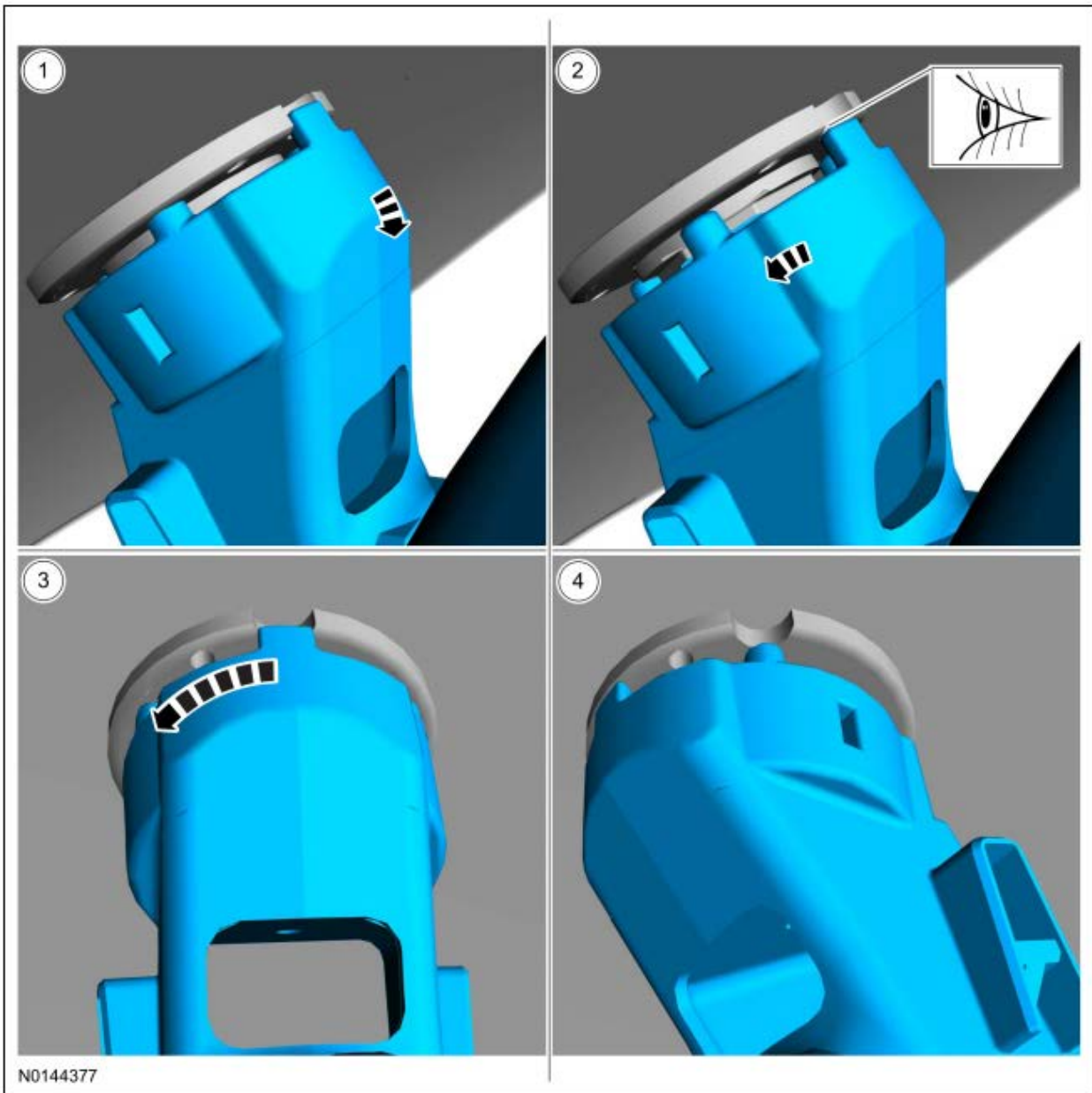
1.



N0144176

2.



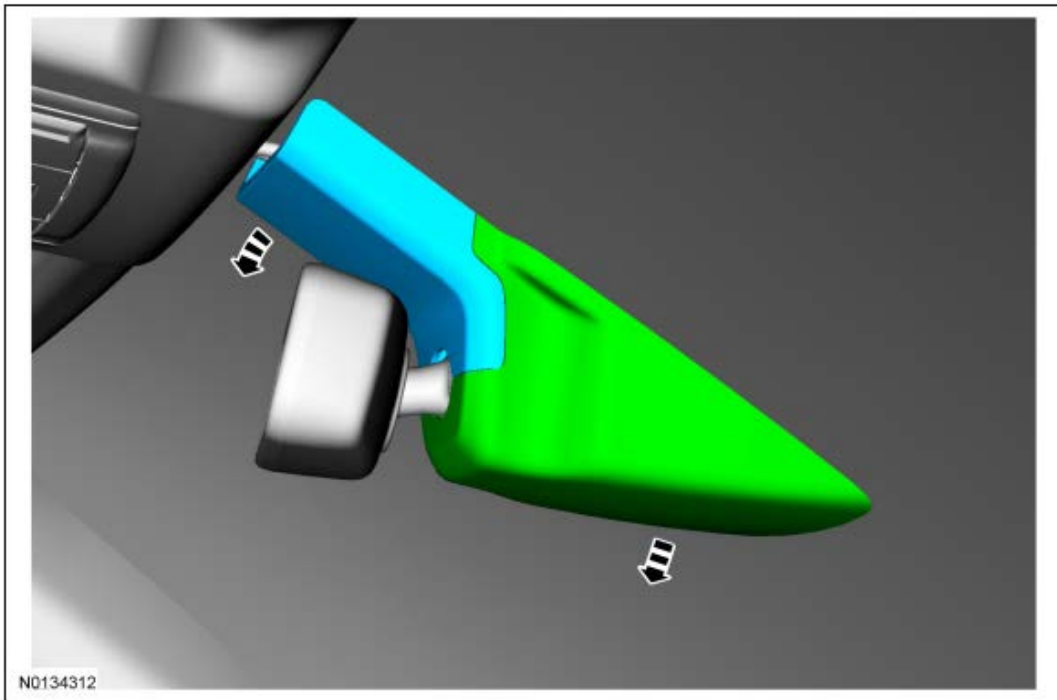


3.

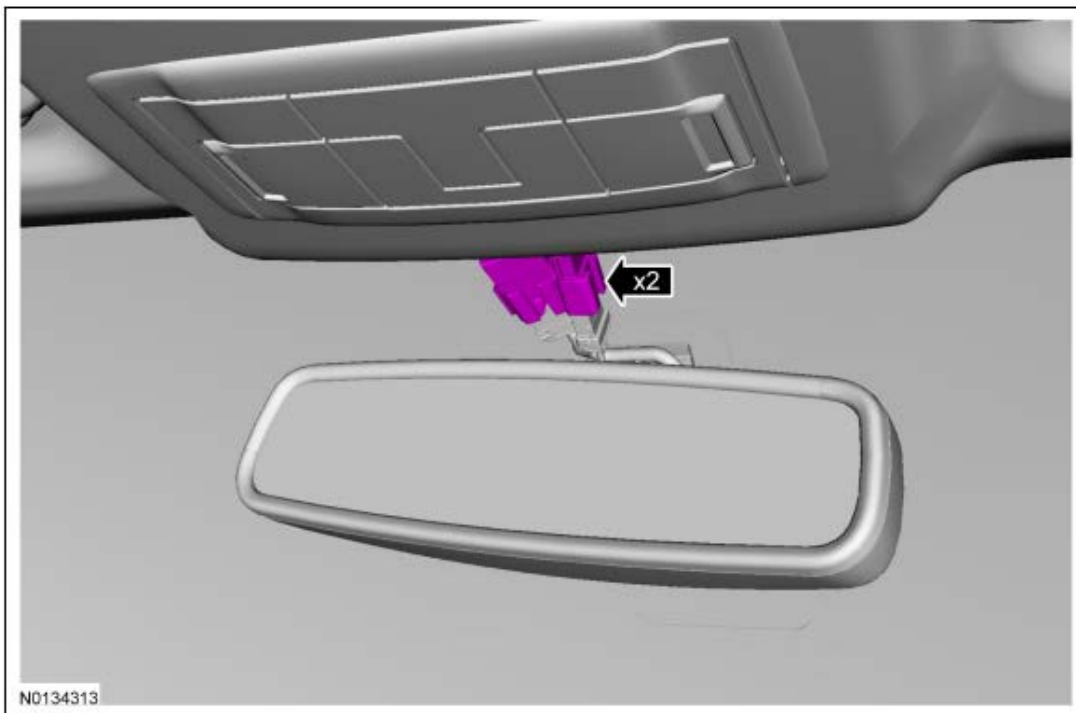
Type 4

1.

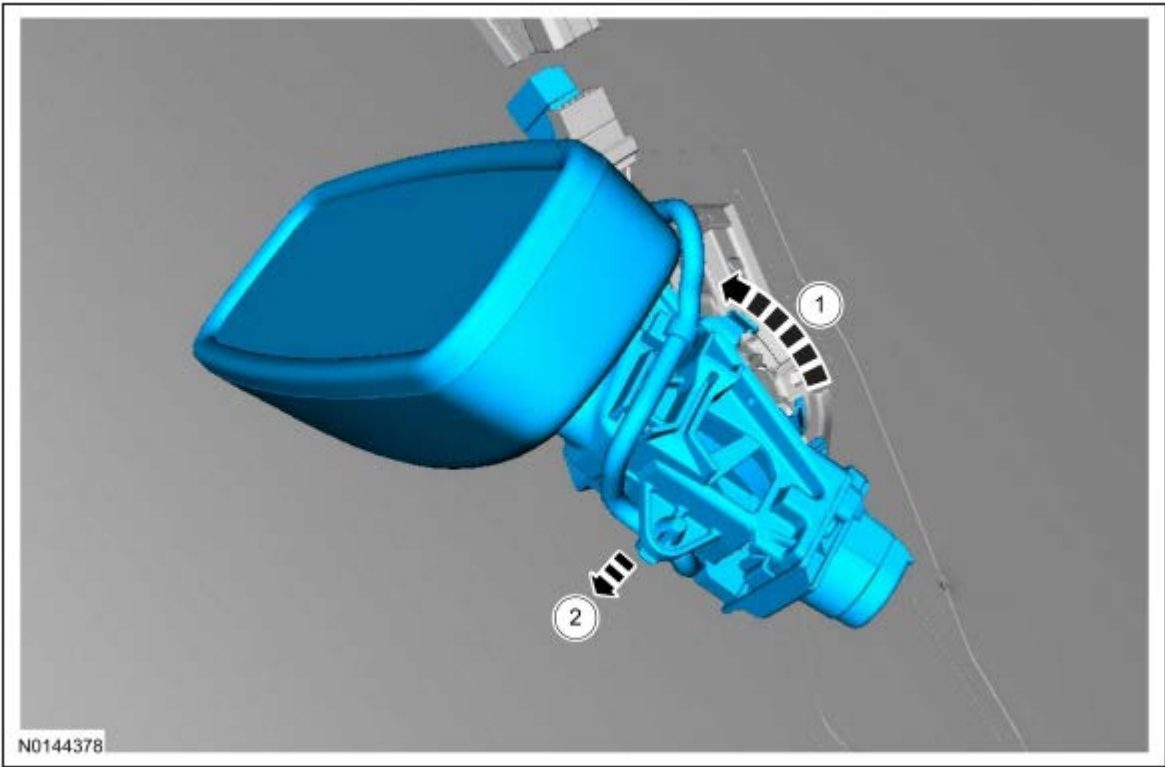




2.



3. NOTICE: To prevent damage to the mirror or base, rotate the mirror base with hands only, do not use tools.  
NOTICE: To prevent damage to the mirror wiring, do not rotate the mirror head beyond 180 degrees.



N0144378