



GM Chime Interface 2000-2005

INTERFACE FEATURES

- Provides accessory power (12-volt 10-amp)
- Retains R.A.P. (Retained Accessory Power)
- Provides wires for multimedia radios (park brake, reverse, speed sense)
- Used in non-amplified models, or when bypassing a factory amplifier
- Used in models without OnStar[®] or when not retaining OnStar[®]
- Retains all warning chimes
- High level speaker input
- Retains balance and fade
- Micro “B” USB updatable

INTERFACE COMPONENTS

- AXDI-GM4 interface
- LD-LCGM-04 harness

APPLICATIONS

Buick	Oldsmobile	Pontiac
LeSabre.....2000-2005	Aurora.....2001-2003	Bonneville2000-2005

TABLE OF CONTENTS

Connections	
LD-LCGM-04 DIAGRAM	2
Installation	3
Programming.....	3

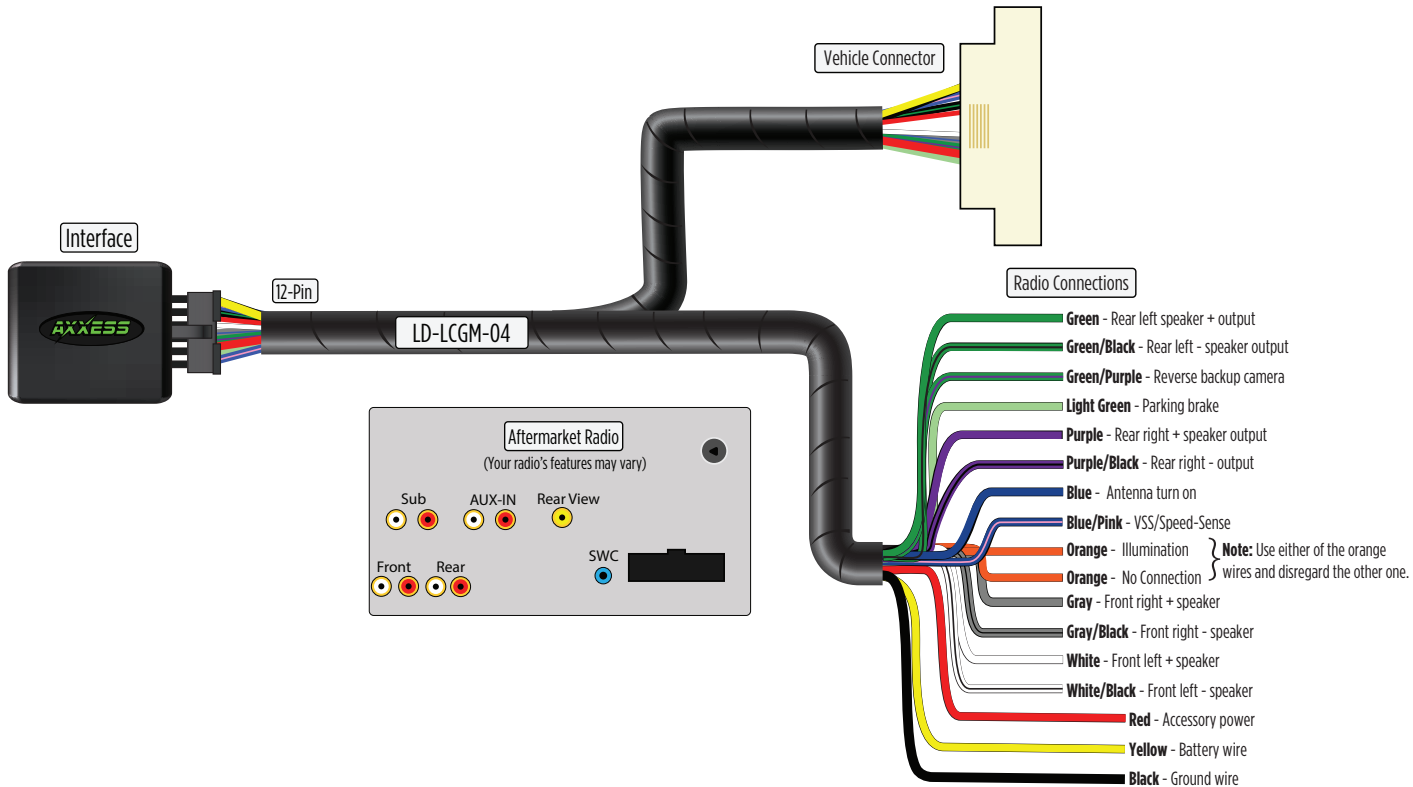
TOOLS & INSTALLATION ACCESSORIES REQUIRED

- Cutting tool • Tape • Crimping tool
- Connectors (i.e. butt-connectors, bell caps, etc.)

Visit AxxessInterfaces.com for more detailed information about the product and up-to-date vehicle specific applications

ATTENTION: With the key out of the ignition, disconnect the negative battery terminal before installing this product. Ensure that all installation connections, especially the air bag indicator lights, are plugged in before reconnecting the battery or cycling the ignition to test this product. **NOTE:** Refer also to the instructions included with the aftermarket accessory before installing this device.

CONNECTIONS: LD-AXDI-GM4 DIAGRAM



INSTALLATION

With the key in the off position:

- Connect the **LD-LCGM-04** harness into the interface, and then to the wiring harness in the vehicle.

PROGRAMMING

Attention! If the interface loses power for any reason, the following steps will need to be performed again. Also, if installing an AXSWC connect it after you initialize and test the interface/radio, with the key in the off position.

- Turn the key (or push-to-start button) to the ignition position and wait until the radio comes on.

Note: If the radio does not come on within 60 seconds, turn the key to the off position, disconnect the interface, check all connections, reconnect the interface, and then try again.

- Turn the key to the off position, and then to the accessory position. Test all functions of the installation for proper operation, before reassembling the dash.



AXDI-GM4

INSTALLATION INSTRUCTIONS

Having difficulties? We're here to help.



Contact our Tech Support line at:

386-257-1187



Or via email at:

techsupport@metra-autosound.com

Tech Support Hours (Eastern Standard Time)

Monday - Friday: 9:00 AM - 7:00 PM

Saturday: 10:00 AM - 5:00 PM

Sunday: 10:00 AM - 4:00 PM



KNOWLEDGE IS POWER

Enhance your installation and fabrication skills by enrolling in the most recognized and respected mobile electronics school in our industry. Log onto www.installerinstitute.edu or call 386-672-5771 for more information and take steps toward a better tomorrow.



**Metra recommends MECP
certified technicians**